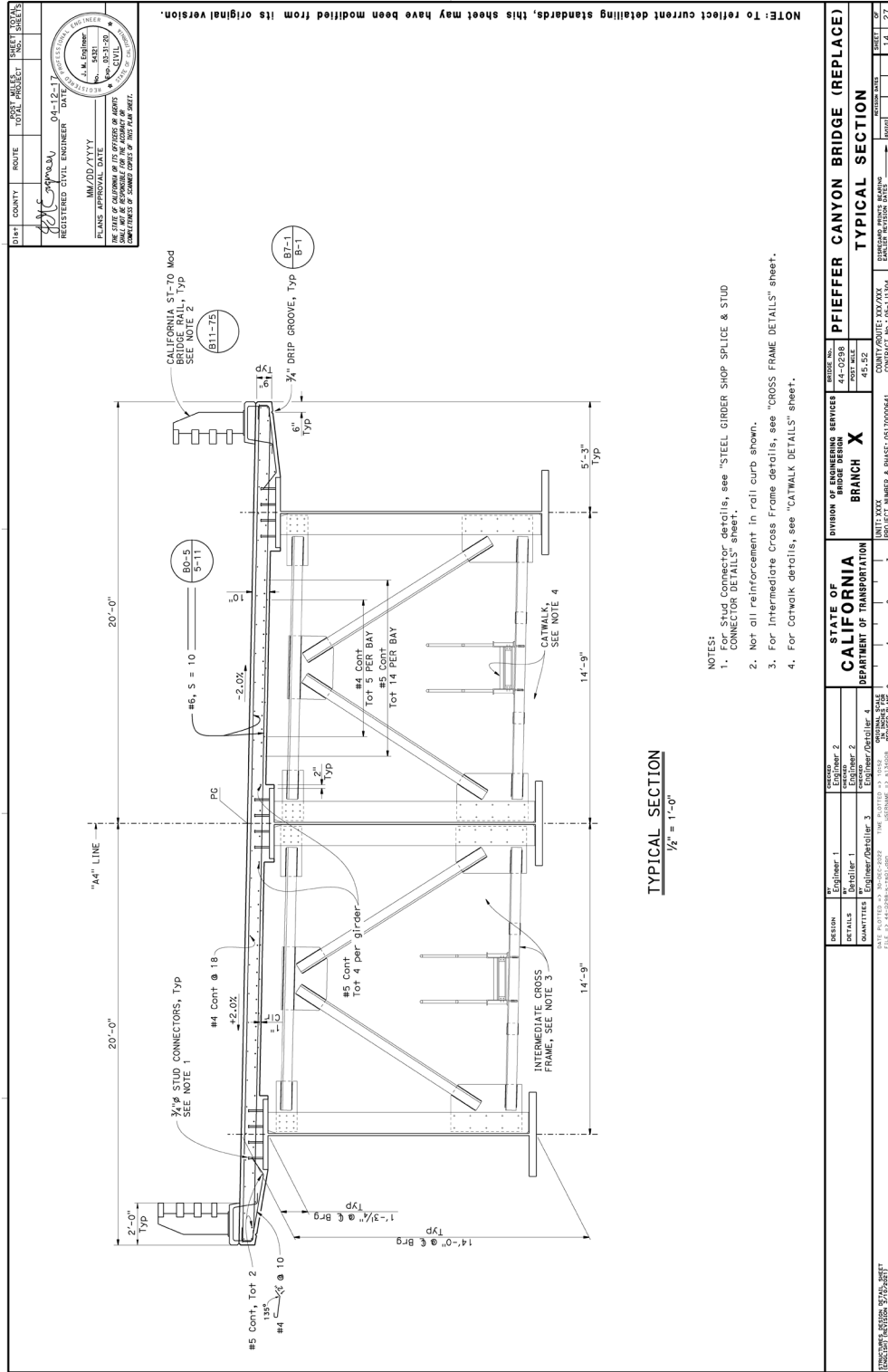






Figure 8A.A.2 Typical Section Detailing Example 2



TYPICAL SECTION  
1/2" = 1'-0"

- NOTES:
- For Stud Connector details, see "STEEL GIRDER SHOP SPlice & STUD CONNECTOR DETAILS" sheet.
  - Not all reinforcement in roll curb shown.
  - For Intermediate Cross Frame details, see "CROSS FRAME DETAILS" sheet.
  - For Catwalk details, see "CATWALK DETAILS" sheet.

COUNTY: <b>San Diego</b> ROUTE: <b>163</b> POST MILES: <b>4.552</b> SHEET NO.: <b>14-121</b> TOTAL PROJECT SHEETS: <b>14</b>		REGISTERED CIVIL ENGINEER: <b>J.M. ENGINEER</b> DATE: <b>04-12-17</b> LICENSE NO.: <b>50130</b>	
PROJECT NO.: <b>04-03-00000</b> CONTRACT NO.: <b>05-11334</b>		DIVISION OF <b>ADMINISTRATIVE SERVICES</b> <b>BRANCH X</b>	
STATE OF <b>CALIFORNIA</b> DEPARTMENT OF <b>TRANSPORTATION</b>		<b>PfIEFFER CANYON BRIDGE (REPLACE)</b> <b>TYPICAL SECTION</b>	
DESIGN: <b>Engineer 1</b> CHECKED: <b>Engineer 2</b>	QUANTITIES: <b>Engineer 3</b> DRAWING TITLE: <b>ENGINEERING</b>	UNIT: <b>XXX</b> PROJECT NUMBER & PHASE: <b>05-11334-01</b>	SHEET NO.: <b>14-121</b> OF <b>14</b>

NOTE: To reflect current detailing standards, this sheet may have been modified from its original version.





Figure 8A.A.4 Typical Section Detailing Example 4

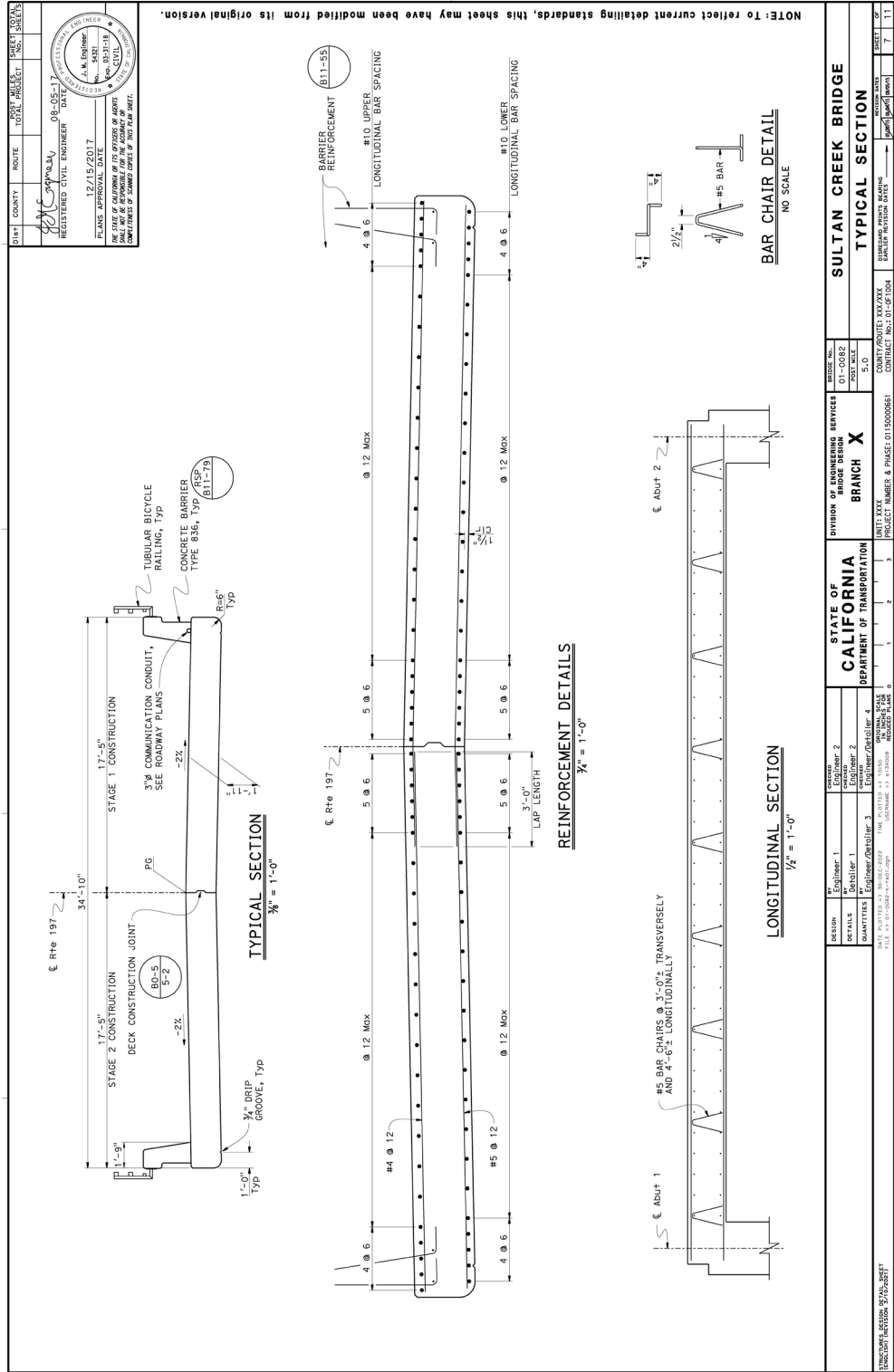




Figure 8A.A.5 Typical Section Detailing Example 5

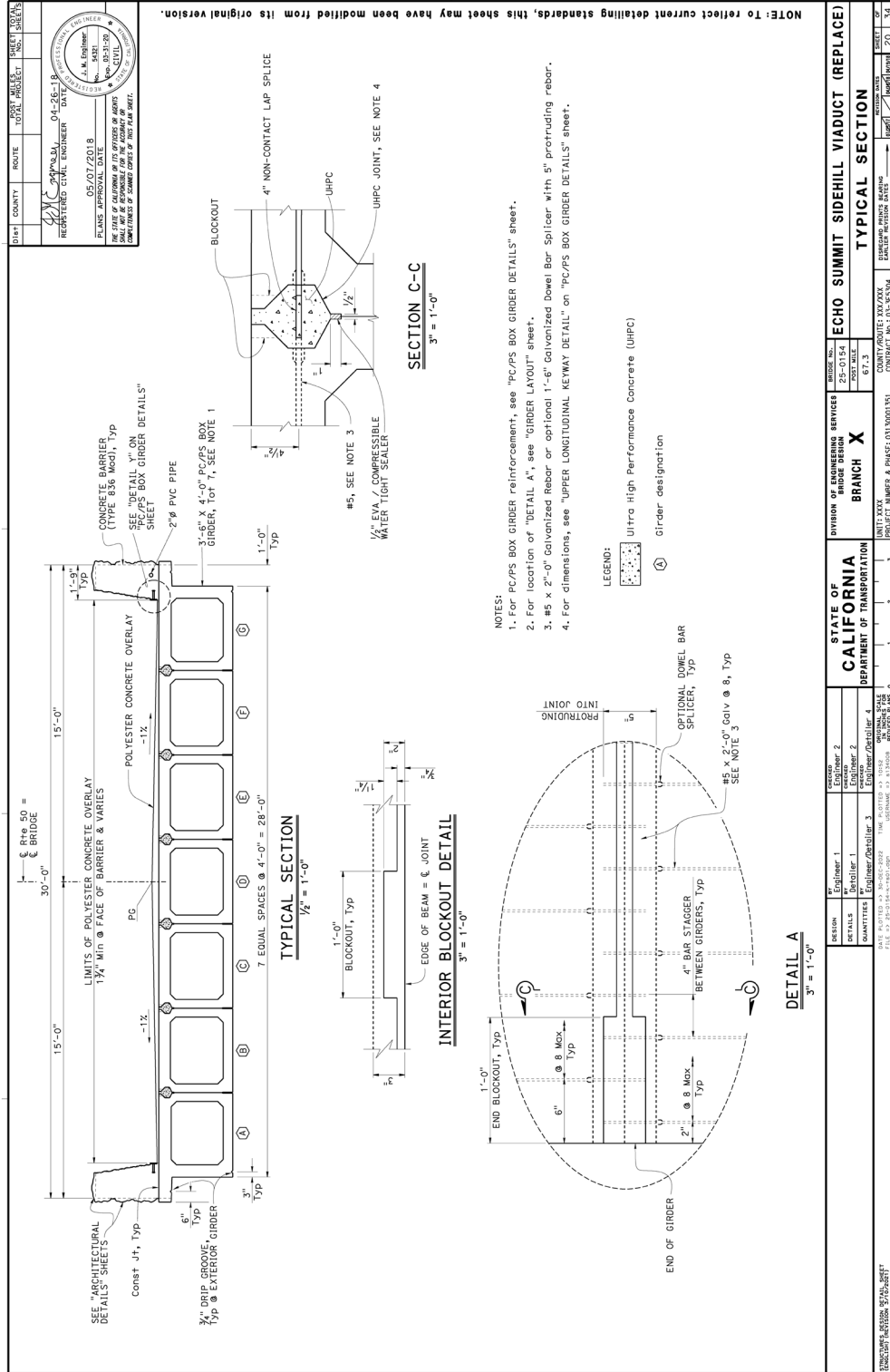




Figure 8A.A.6 Typical Section Detailing Example 6

