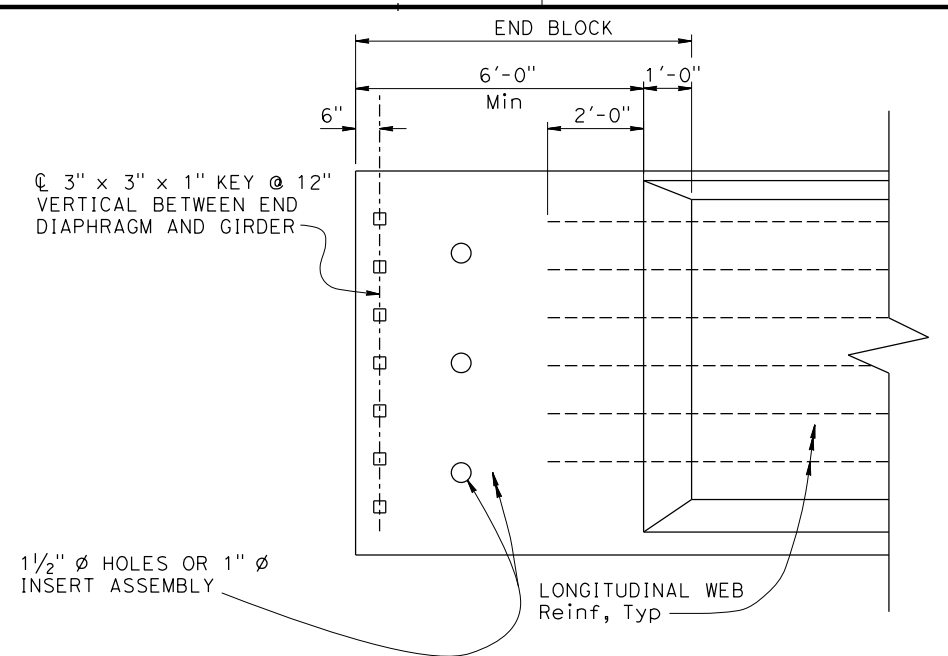


DIST	COUNTY	ROUTE	POST MILES TOTAL PROJECT	SHEET No.	TOTAL SHEETS

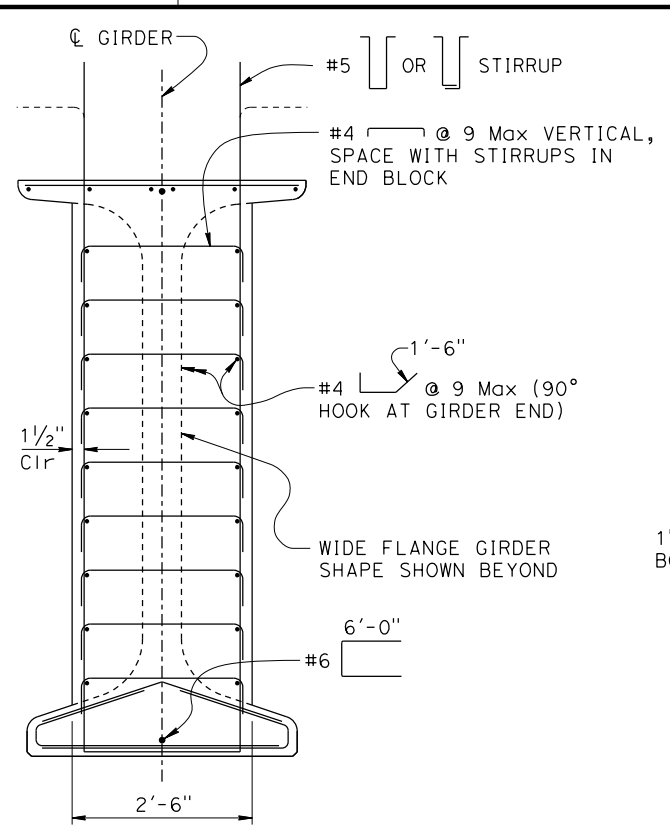
REGISTERED CIVIL ENGINEER	DATE
PLANS APPROVAL DATE	

The State of California or its officers or agents shall not be responsible for the accuracy or completeness of scanned copies of this plan sheet.

The Registered Civil Engineer for the project is responsible for the selection and proper application of the component design and any modifications shown.

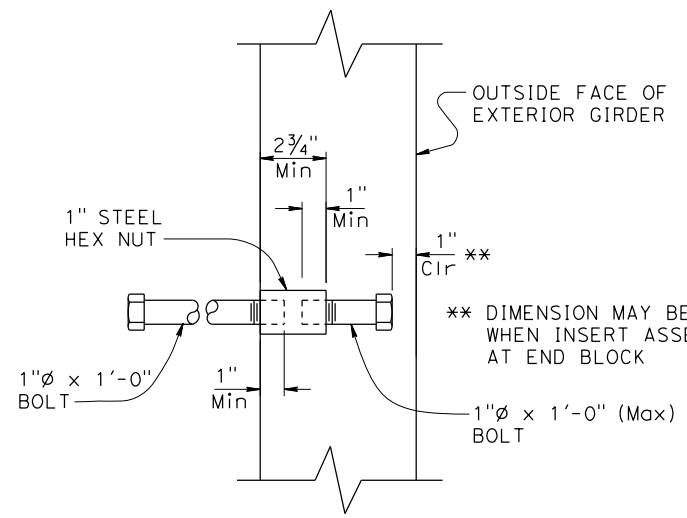


OPTIONAL END BLOCK - ELEVATION



NOTE:
For details not shown, see 'TYPICAL GIRDER SECTION' on 'PC/PRE-TENSIONED WIDE FLANGE GIRDER' sheet.

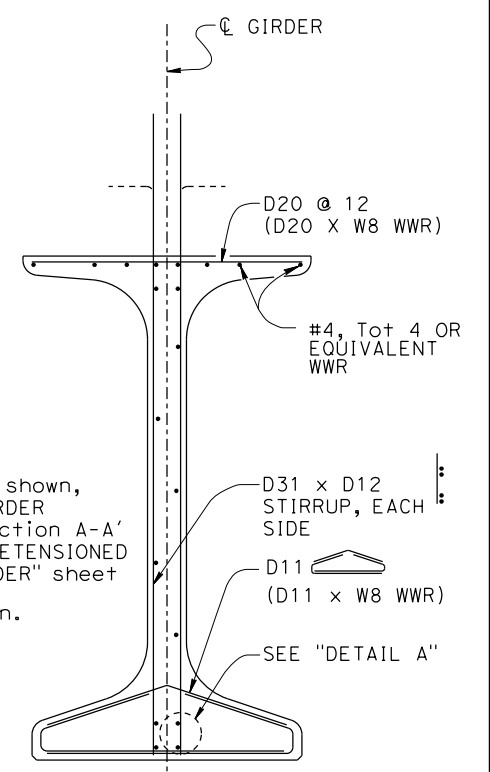
TYPICAL END BLOCK SECTION



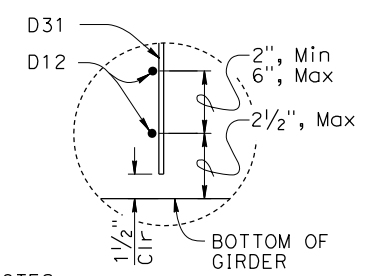
DETAIL B

NOTES:

- For details not shown, see 'TYPICAL GIRDER SECTION' and 'Section A-A' detail on 'PC/PRE-TENSIONED WIDE FLANGE GIRDER' sheet
- W8 WWR not shown.



WELDED WIRE REINFORCEMENT (WWR) ALTERNATIVE

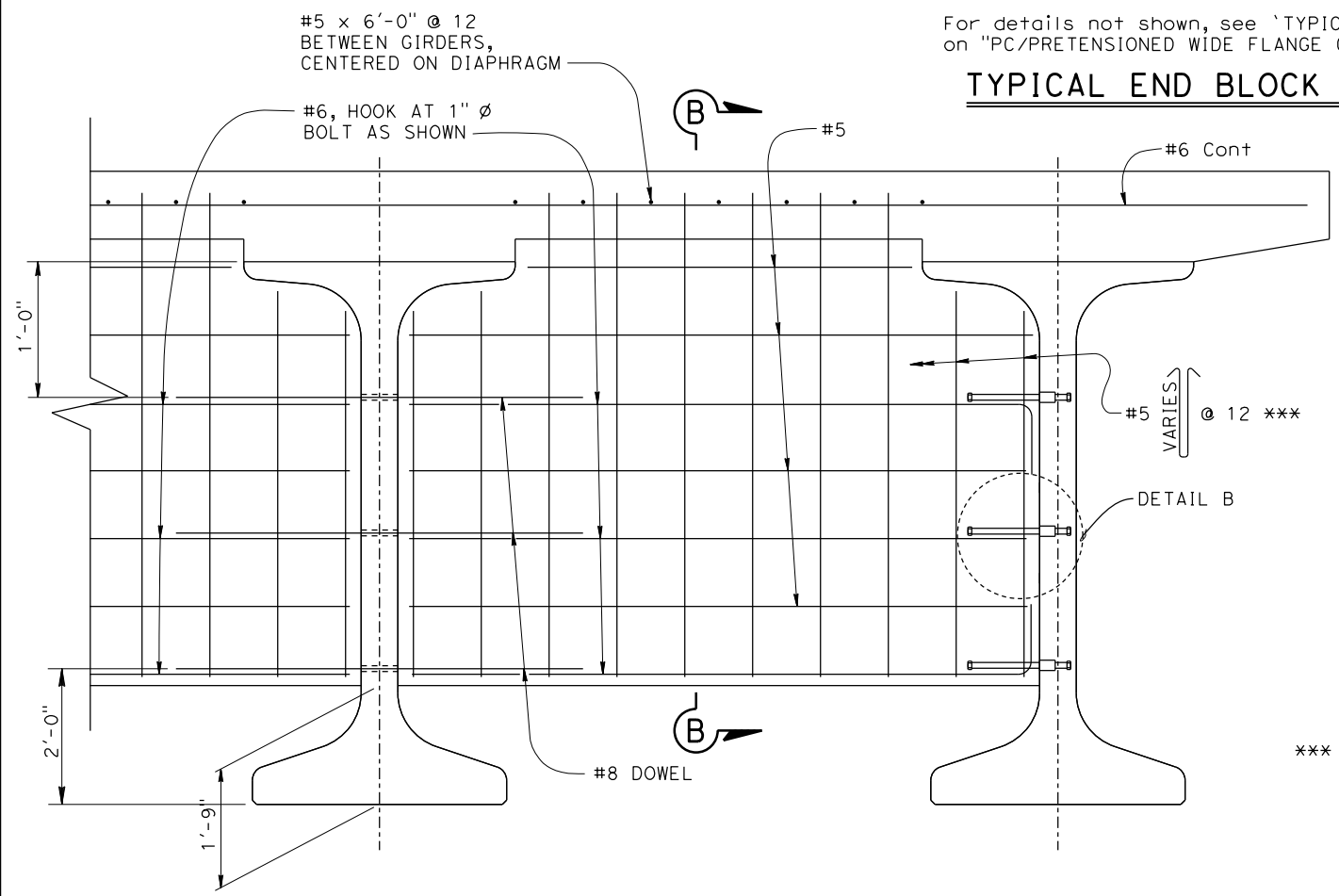


NOTES:

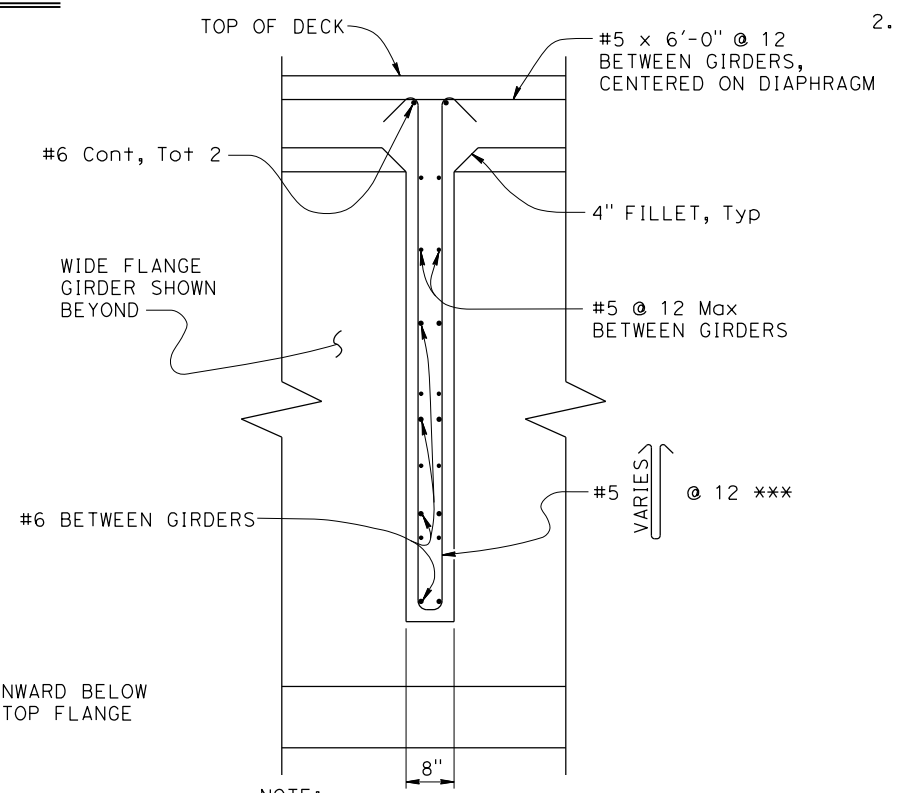
- Bottom of stirrup WWR detail shown, top similar.
- Longitudinal wire area shall be 40% or greater of vertical deformed wire's area.

DETAIL A

NO SCALE



INTERMEDIATE DIAPHRAGM



SECTION B-B

*** HOOKS INWARD BELOW GIRDER TOP FLANGE

NOTE:
Diaphragm may be vertical or normal to deck grade

BRIDGE STANDARD DETAILS			STATE OF CALIFORNIA DEPARTMENT OF TRANSPORTATION			DIVISION OF ENGINEERING SERVICES			X		
xs1-122-3 FILE NO.	July 2020 APPROVAL DATE	<i>The components of the Bridge Standard Details have been prepared under the responsible charge of the Technical Owner, a registered civil engineer in the State of California.</i>									
Refer to: http://www.dot.ca.gov/hq/esc/techpubs/manual/bridgemanuals/bridge-standard-detail-sheets/index.html			FILE => ...1\202007-xs1-122-3.dgn USERNAME => "s136236"			ORIGINAL SCALE IN INCHES FOR REDUCED PLANS			UNIT: PROJECT NUMBER & PHASE:		
TIME PLOTTED => 11:34:32 AM			DATE PLOTTED => 7/15/2020			CONTRACT NO.:			DISREGARD PRINTS BEARING EARLIER REVISION DATES		
									REVISION DATES		
									SHEET OF		