

**DESIGN DATA**

DESIGN: AASHTO LRFD Bridge Design Specifications, 4th Edition with California Amendments.

WS: 33 psf on sound wall

F<sub>t</sub> : 54 kips on barrier

EQE: k<sub>h</sub> = 0.2

k<sub>v</sub> = 0.0

REINFORCED CONCRETE: f'c = 3600 psi

fy = 60 ksi

n = 8

**NOTES:**

1. Clearance to reinforcing steel in concrete barrier to be 1".
2. Not all barrier reinforcement shown.
3. No expansion joints in concrete barrier or barrier slab within wall limits.
4. Specific concrete barrier to be used is shown elsewhere in Project Plans.
5. Sound Wall not permitted on MSE walls unless supported by a CIDH pile foundation. (See "Mechanically Stabilized Embankment Detail No. 5" sheet).
6. Install cable railing or chain link railing when indicated in Project Plans. Refer to Standard Plans B11-7 and B11-47 for anchorage details to top of concrete barrier.
7. Minimum slab length: 40 ft

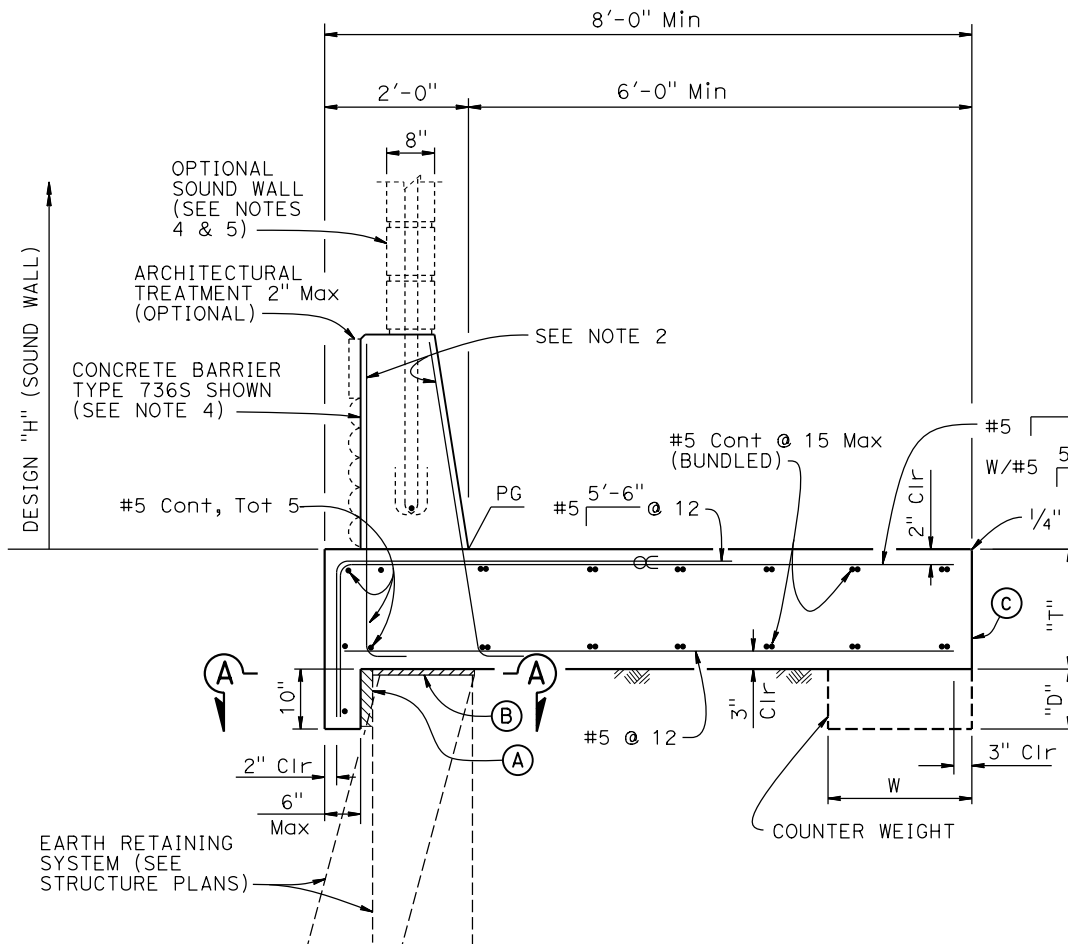
DIST	COUNTY	ROUTE	POST MILES TOTAL PROJECT	SHEET No.	TOTAL SHEETS

REGISTERED CIVIL ENGINEER DATE

PLANS APPROVAL DATE

The State of California or its officers or agents shall not be responsible for the accuracy or completeness of scanned copies of this plan sheet.

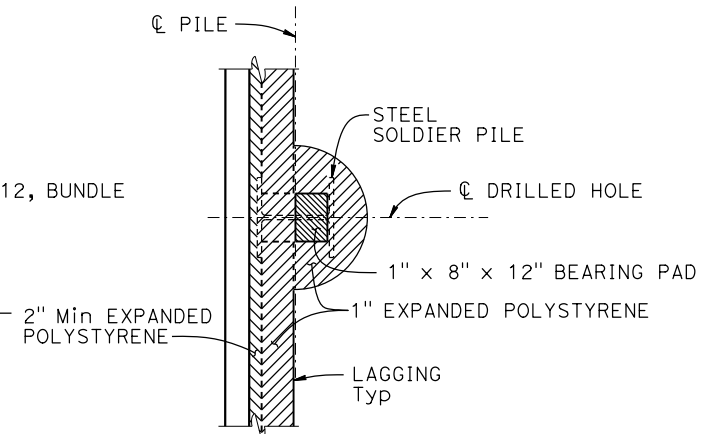
The Registered Civil Engineer for the project is responsible for the selection and proper application of the component design and any modifications shown.



**CONCRETE BARRIER SLAB**  
3/4" = 1'-0"

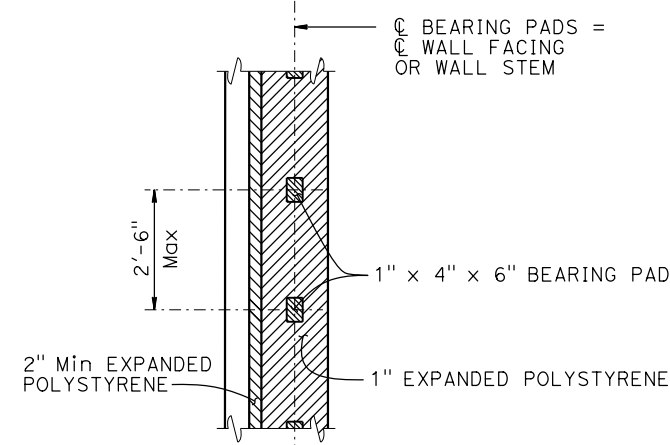
**BARRIER SLAB DIMENSIONS**

DESIGN "H" OF SOUND WALL	NO SW	12'-4"	14'-4"	16'-4"
BARRIER TYPE	732 736 742	736 S	736 S	736 S
T	1'-8"	1'-8"	2'-0"	2'-0"
W	N/A	N/A	N/A	2'-0"
D	N/A	N/A	N/A	0'-9"



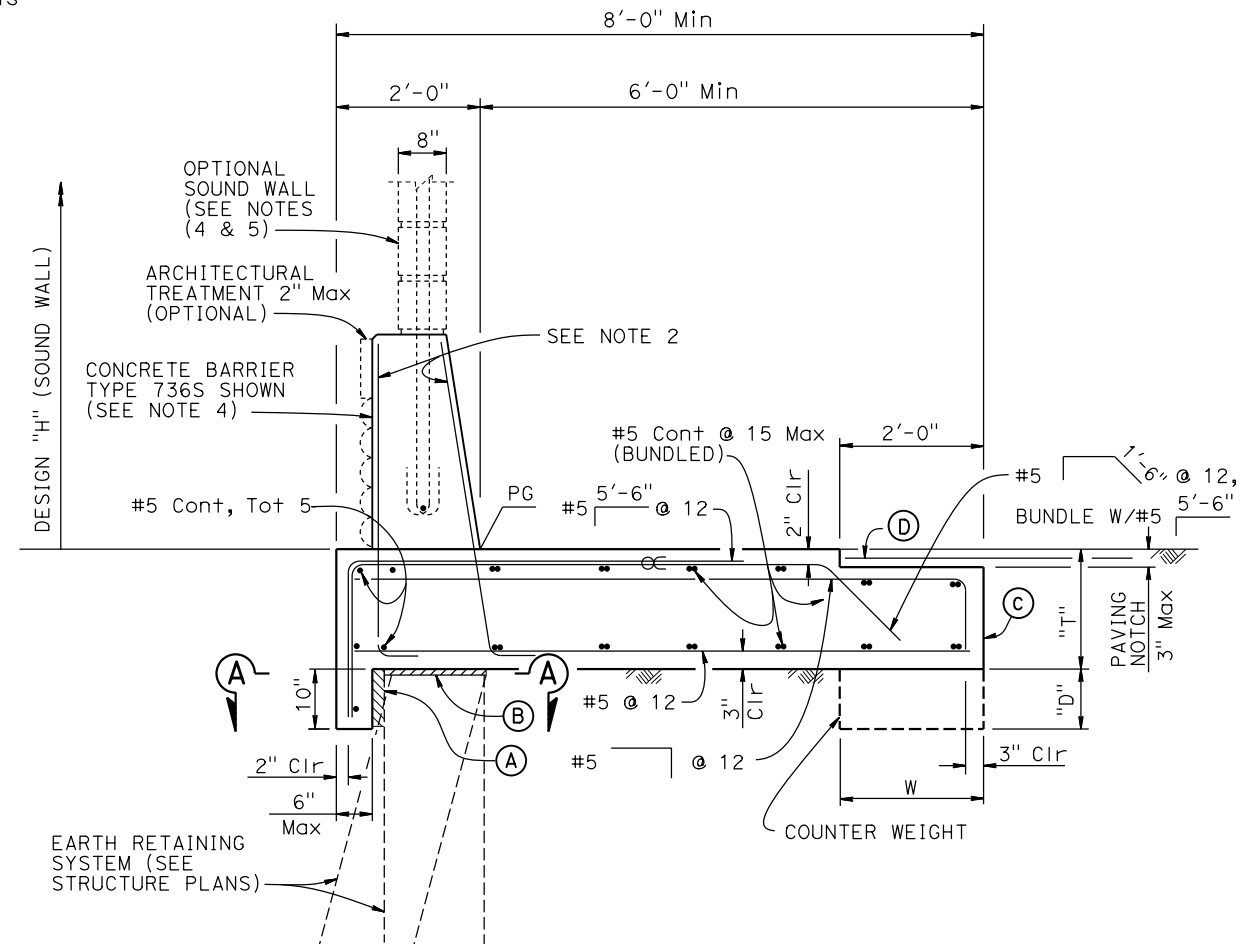
**SECTION A-A**  
1/2" = 1'-0"

(For Soldier Pile Wall only)



**SECTION A-A**  
1/2" = 1'-0"

(For all other Earth Retaining Systems)



**CONCRETE BARRIER SLAB WITH PAVING NOTCH**  
3/4" = 1'-0"

**NOTES:**

- (A) 2" Min Expanded polystyrene
- (B) 1" Expanded Polystyrene on MSE and concrete stem walls, See "SECTION A-A" for Soldier Pile Walls
- (C) Contact joint
- (D) 4'-0" wide pavement reinforcing fabric
- ∞ Indicates bundled bars

**BRIDGE STANDARD DETAILS**

<b>xs12-090</b> FILE NO.	July 2014 APPROVAL DATE	The components of the Bridge Standard Details have been prepared under the responsible charge of the Technical Owner, a registered civil engineer in the State of California
-----------------------------	----------------------------	--

STATE OF CALIFORNIA  
DEPARTMENT OF TRANSPORTATION

DIVISION OF ENGINEERING SERVICES

BRIDGE NO.
POST MILE

**CONCRETE BARRIER SLAB DETAILS**