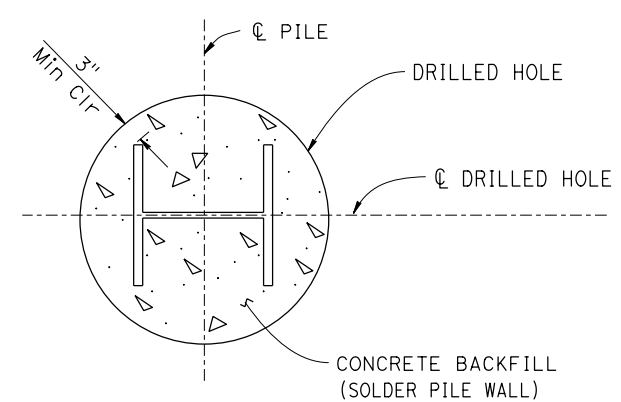
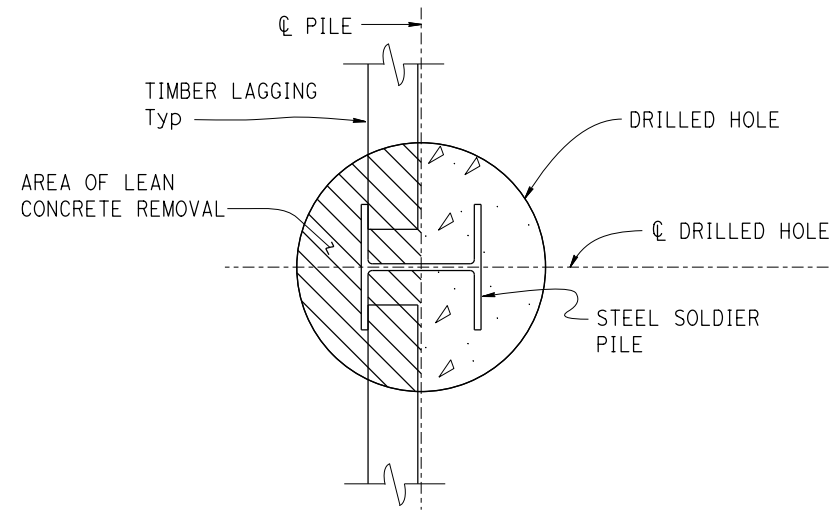


FOR DETAILS NOT SHOWN, SEE "PROJECT PLANS"

TYPICAL SECTION
NO SCALE

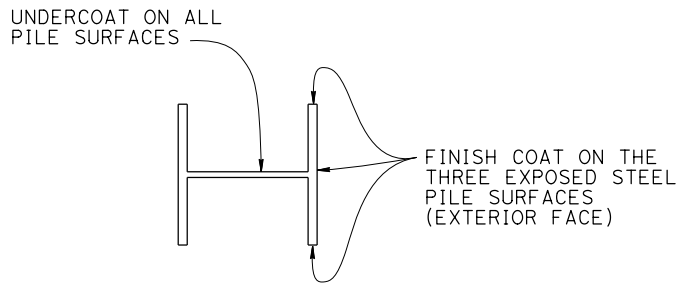


SECTION B-B
NO SCALE



SECTION A-A
NO SCALE

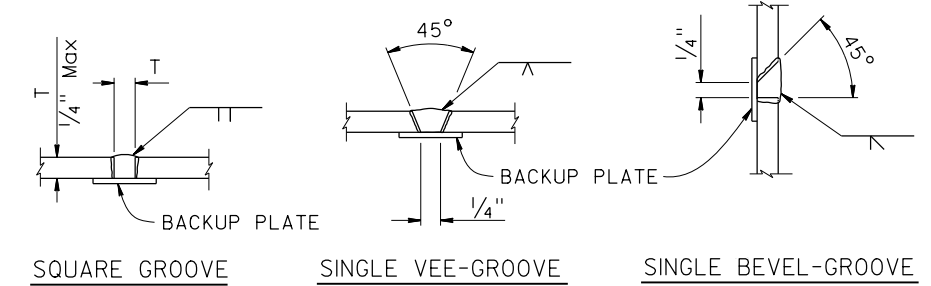
NOTE:
 (A) Clean and paint Steel Soldier Pile from top of pile to 5 feet, Min below bottom of lagging.
 For lagging details see "SOLDIER PILE WALL LAGGING DETAILS".



LIMITS OF CLEAN & PAINT STEEL SOLDIER PILE
NO SCALE

GENERAL NOTES:

- DESIGN: AASHTO LRFD Bridge Design Specifications, 4th Edition with California Amendments.
- LIVE LOAD: 240 psf equivalent to 2 feet soil weight.
- SOIL PARAMETERS: (For determination of Design Lateral Earth Pressures)
 Backfill soil weight = _____ lb/ft³
 Friction Angle = _____ °
 Active Pressure coefficient, K_a = _____
 Bedrock Unit Weight = _____ lb/ft³
- SEISMIC PARAMETERS: k_h = _____
- STEEL SOLDIER PILES: ASTM A572/A, ASTM 572M Grade 50 Min, or ASTM A36/A36M
- REINFORCED CONCRETE (FASCIA): f'c = 4000 psi
 fy = 60 ksi
- STRUCTURAL TIMBER: Treated Douglas Fir, Grade No. 1 or better Timber to be full sawn.



PILE WELDING DETAIL-BUTT JOINTS
NO SCALE

- NOTES:
1. Single vee-groove and square groove permitted for all positions.
 2. Single bevel-groove permitted for horizontal joints only.