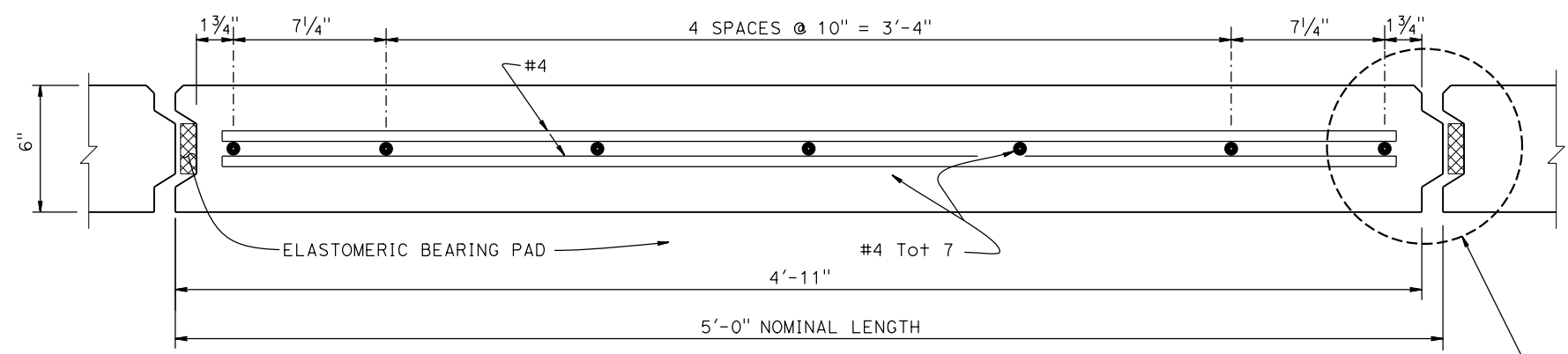
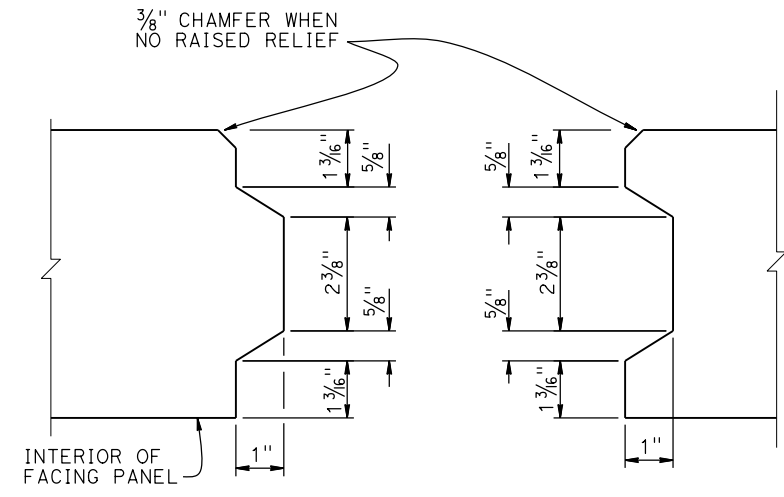


HORIZONTAL JOINT DETAIL
3" = 1'-0"

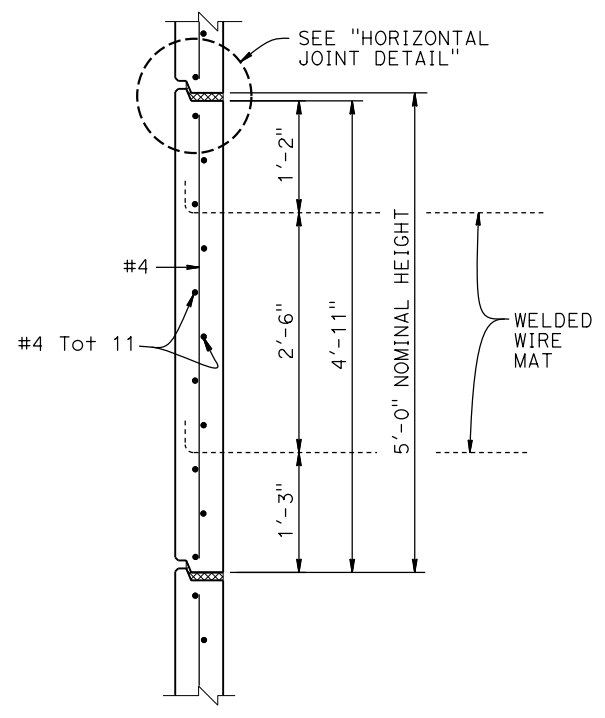


PLAN - FACING PANEL
3" = 1'-0"

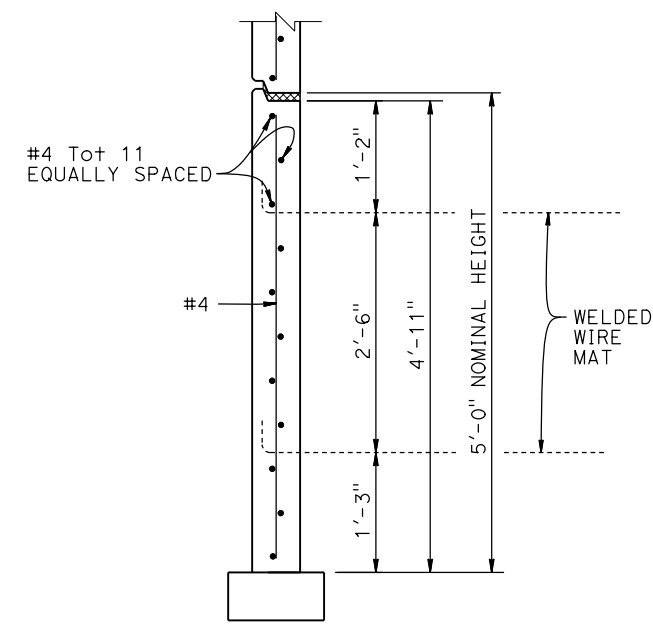
- NOTES:
1. Architectural treatment not shown
 2. Place reinforced elastomeric bearing pads in all of the panel joints between the panels. Place one in each vertical joint where the horizontal joints intersect. Place two per panel in each horizontal joint:
 $\frac{3}{4}$ " x $2\frac{3}{8}$ " x 6" for vertical joints
 $\frac{3}{4}$ " x 4" x 6" for horizontal joints
 3. Bond a strip of filter fabric, 1'-0" wide, over the full length of all panel joints
 4. Top layer of welded wire mats attached parallel to top of panel when top of wall is angled or curved as shown elsewhere in "STRUCTURE PLANS"
 5. Eliminate mid level mat when closer than 6" to top mat, continue variable dimension between remaining mats



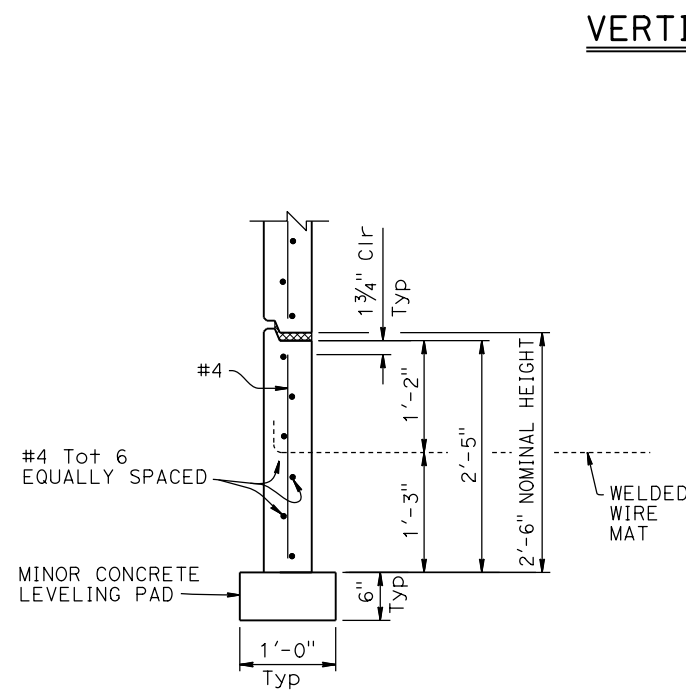
VERTICAL JOINT DETAIL
6" = 1'-0"



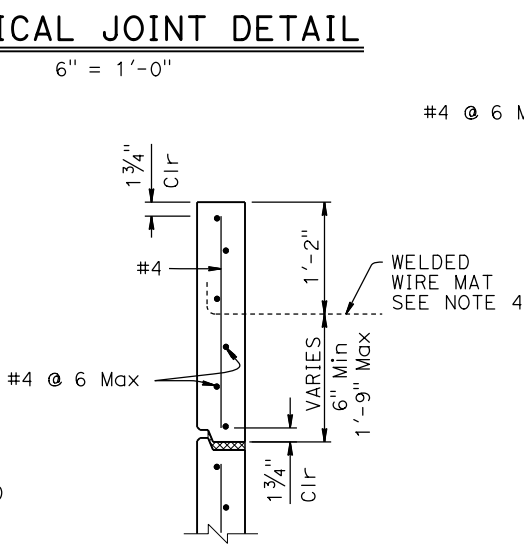
INTERMEDIATE PANEL
1" = 1'-0"



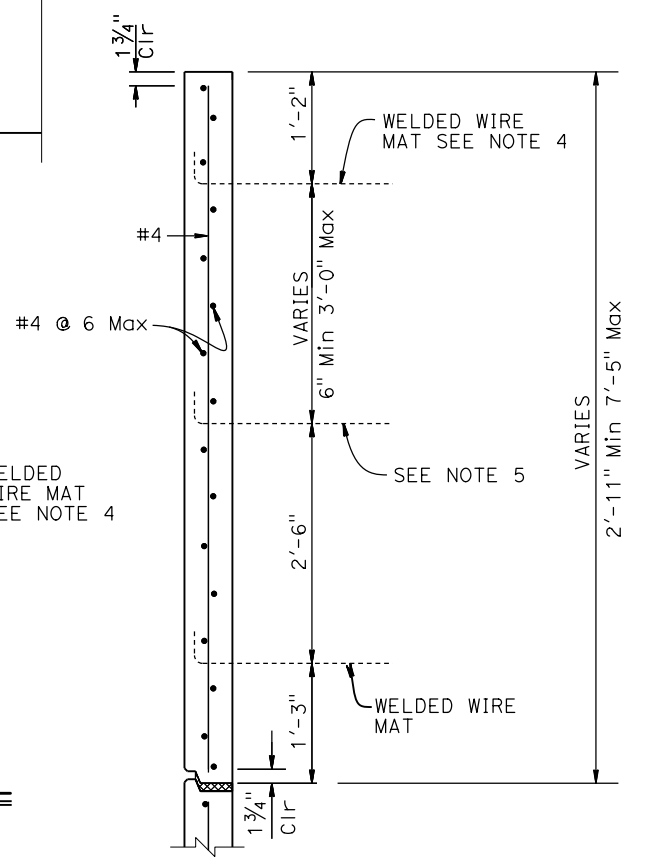
BOTTOM PANEL
1" = 1'-0"



BOTTOM HALF PANEL
1" = 1'-0"



TOP HALF PANEL
1" = 1'-0"



TOP PANEL WITH MULTIPLE MATS
1" = 1'-0"