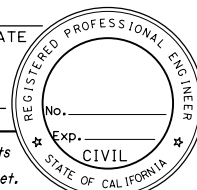
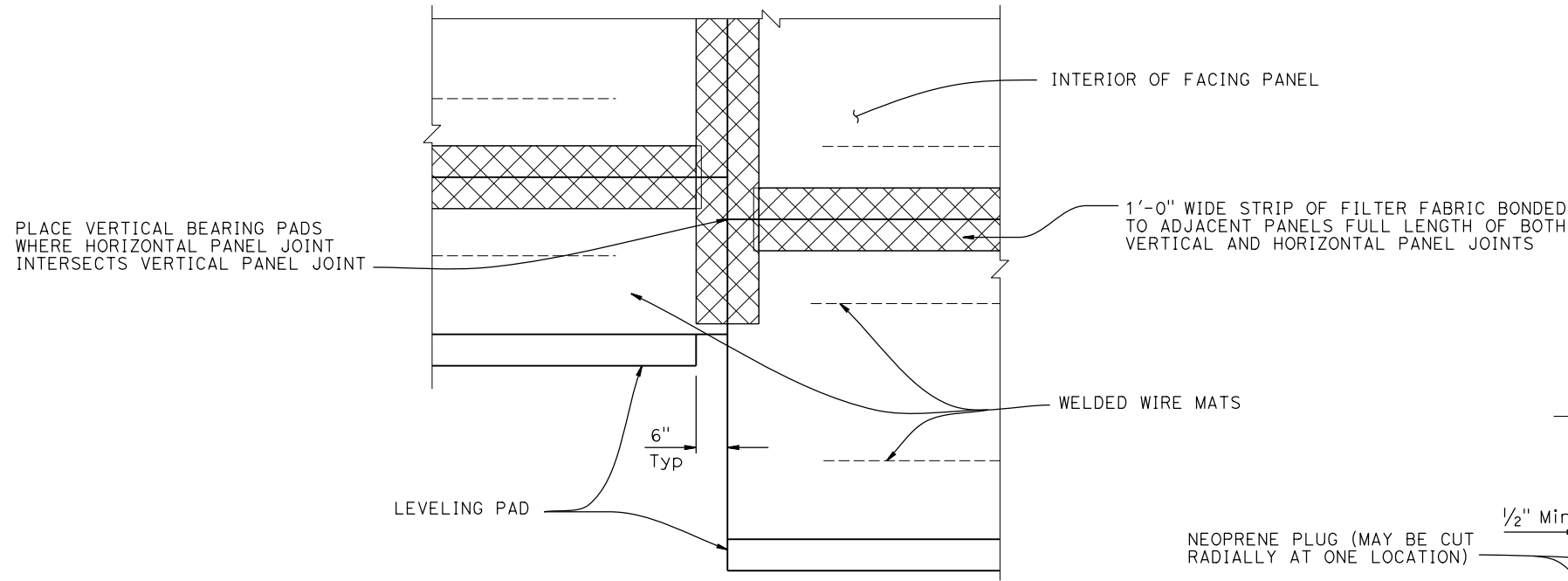
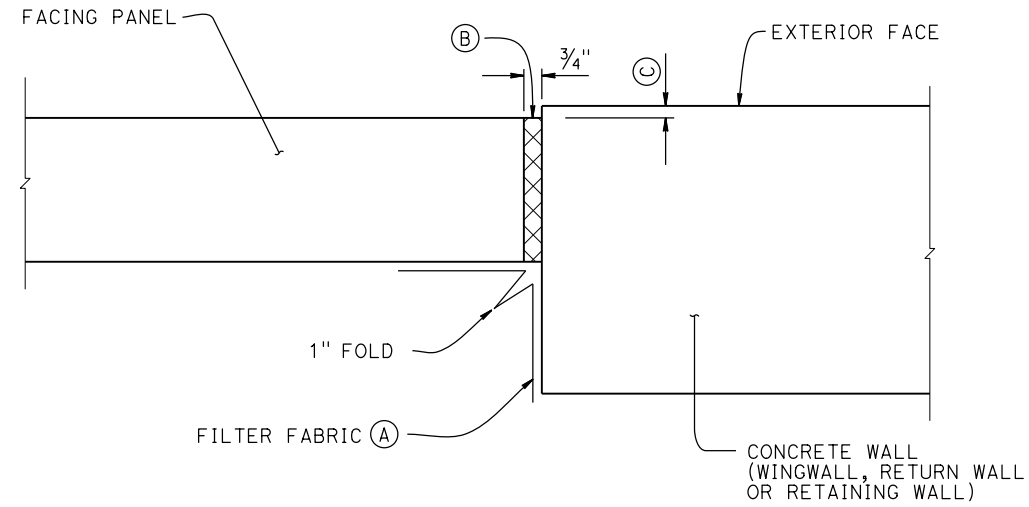


DIST.	COUNTY	ROUTE	POST MILES TOTAL PROJECT	SHEET No.	TOTAL SHEETS
REGISTERED CIVIL ENGINEER			DATE		
PLANS APPROVAL DATE					
<small>The State of California or its officers or agents shall not be responsible for the accuracy or completeness of scanned copies of this plan sheet.</small>					
<small>The Registered Civil Engineer for the project is responsible for the selection and proper application of the component design and any modifications shown.</small>					

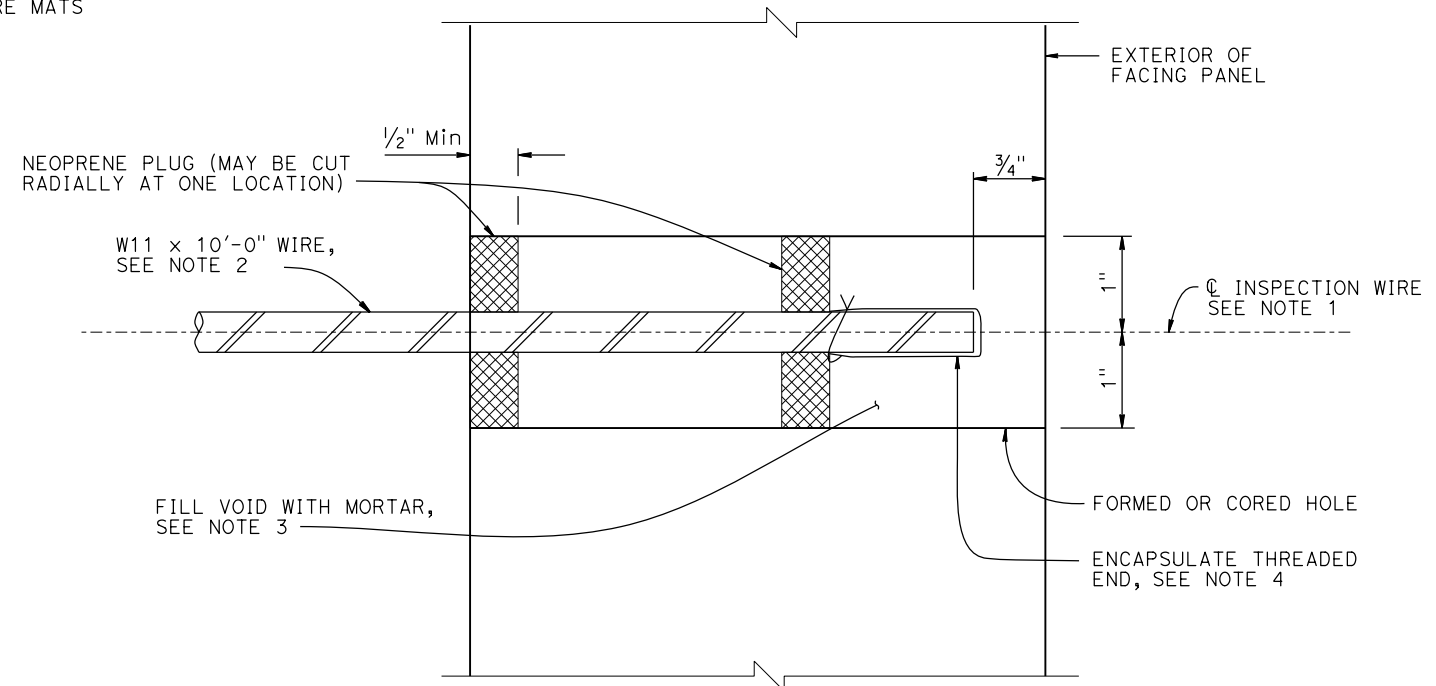


PART ELEVATION
3/4" = 1'-0"



MSE FACING PANEL-TO-CONCRETE WALL JOINT DETAIL
3" = 1'-0"

- NOTES:
- (A) Bond a strip of filter fabric, 1'-6" wide, to back of MSE panels and the adjacent concrete wall for entire length of vertical joint
 - (B) Bond expansion joint material to the concrete wall
 - (C) Offset between face of MSE facing panel and face of the concrete wall as dictated by location of layout lines shown elsewhere in "STRUCTURE PLANS"



SECTION THRU INSPECTION WIRE
NO SCALE

- NOTES:
1. Center inspection wire in facing panel.
 2. Fabricated inspection wire from W11 wire representative of the welded wire mats, with 3/8" Ø 16 UNC threads for at least 1 1/2" of one end.
 3. Place inspection wire horizontal and perpendicular to the wall panel prior to backfilling.
 4. Encapsulate threaded end with corrosion inhibiting mastic, vinyl covering, and secure with plastic tie.
- UNC = Unified Coarse Threads

BRIDGE STANDARD DETAILS		<small>The components of the Bridge Standard Details have been prepared under the responsible charge of the Technical Owner, a registered civil engineer in the State of California</small>	STATE OF CALIFORNIA DEPARTMENT OF TRANSPORTATION	DIVISION OF ENGINEERING SERVICES	BRIDGE NO.	MECHANICALLY STABILIZED EMBANKMENT			
xs13-020-3 FILE NO.	July 2014 APPROVAL DATE				POST MILE		DETAILS No. 3		
<small>Refer to: http://www.dot.ca.gov/hq/esc/techpubs/manual/bridgemanuals/bridge-standard-detail-sheets/index.html</small>		<small>FILE => xs13-020-3.dgn</small> <small>USERNAME => s136236</small>	<small>ORIGINAL SCALE IN INCHES FOR REDUCED PLANS</small> 0 1 2 3	<small>UNIT: PROJECT NUMBER & PHASE:</small>	<small>CONTRACT NO.:</small>	<small>DISREGARD PRINTS BEARING EARLIER REVISION DATES</small>	<small>REVISION DATES</small> 5-19-14 7-12-16	<small>SHEET</small>	<small>OF</small>