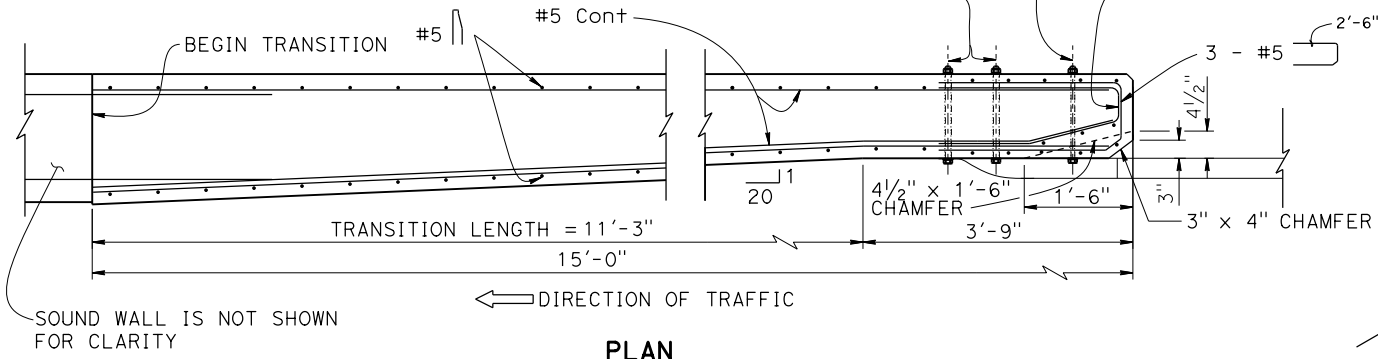


NOTES:

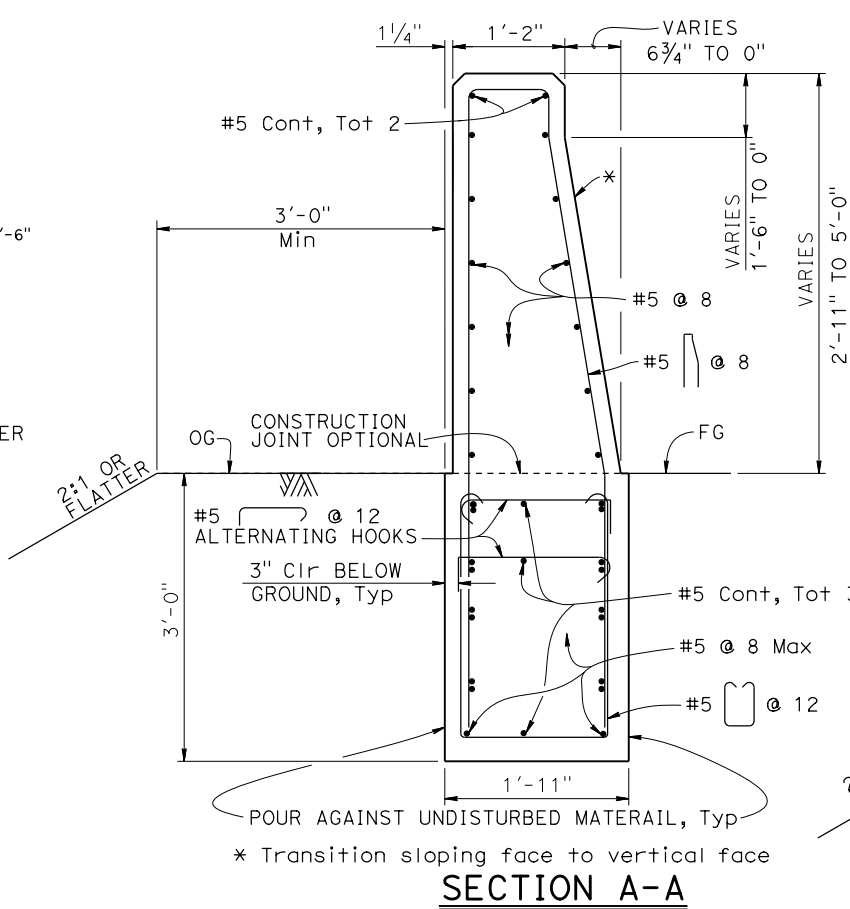
- Adjust reinforcement as needed to provide 1" minimum clearance to HSS section.
- Concrete barrier transition at departure is similar to concrete barrier transition at approach except as shown in "SOUND WALL MASONRY BLOCK WITH BARRIER ON BRIDGE DETAILS No. 2" sheet.

⊕ HSS2 1/2 x 1 x 1/8 =
⊕ 5/8" ⌀ Galv HS BOLTS
WITH WASHERS AND NUTS

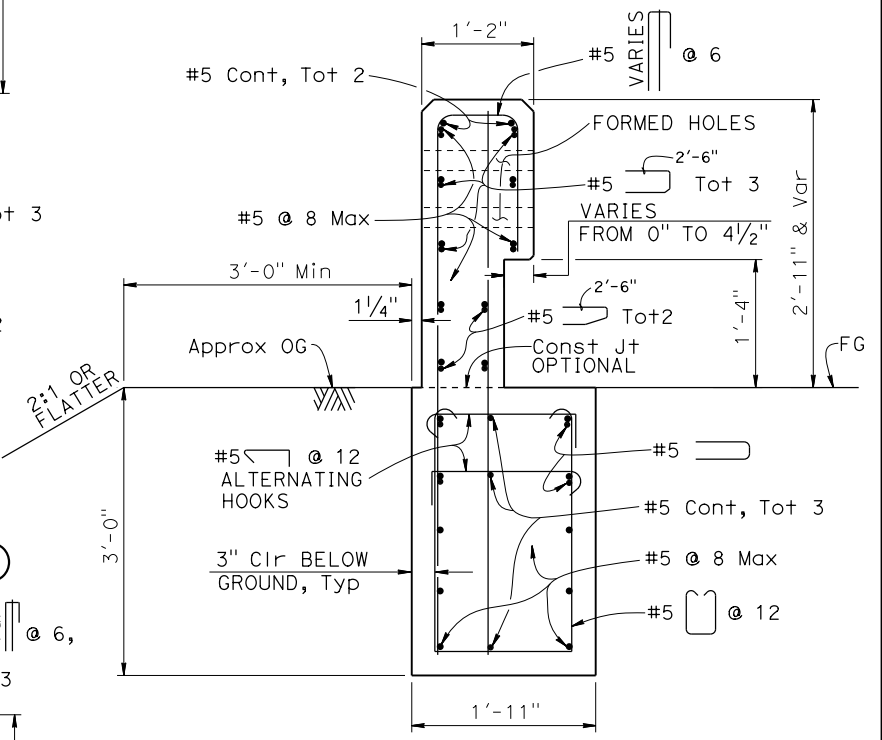
⊕ HSS2 1/2 x 1 1/2 x 3/16 =
⊕ 7/8" ⌀ Galv HS BOLTS
WITH WASHERS AND NUTS



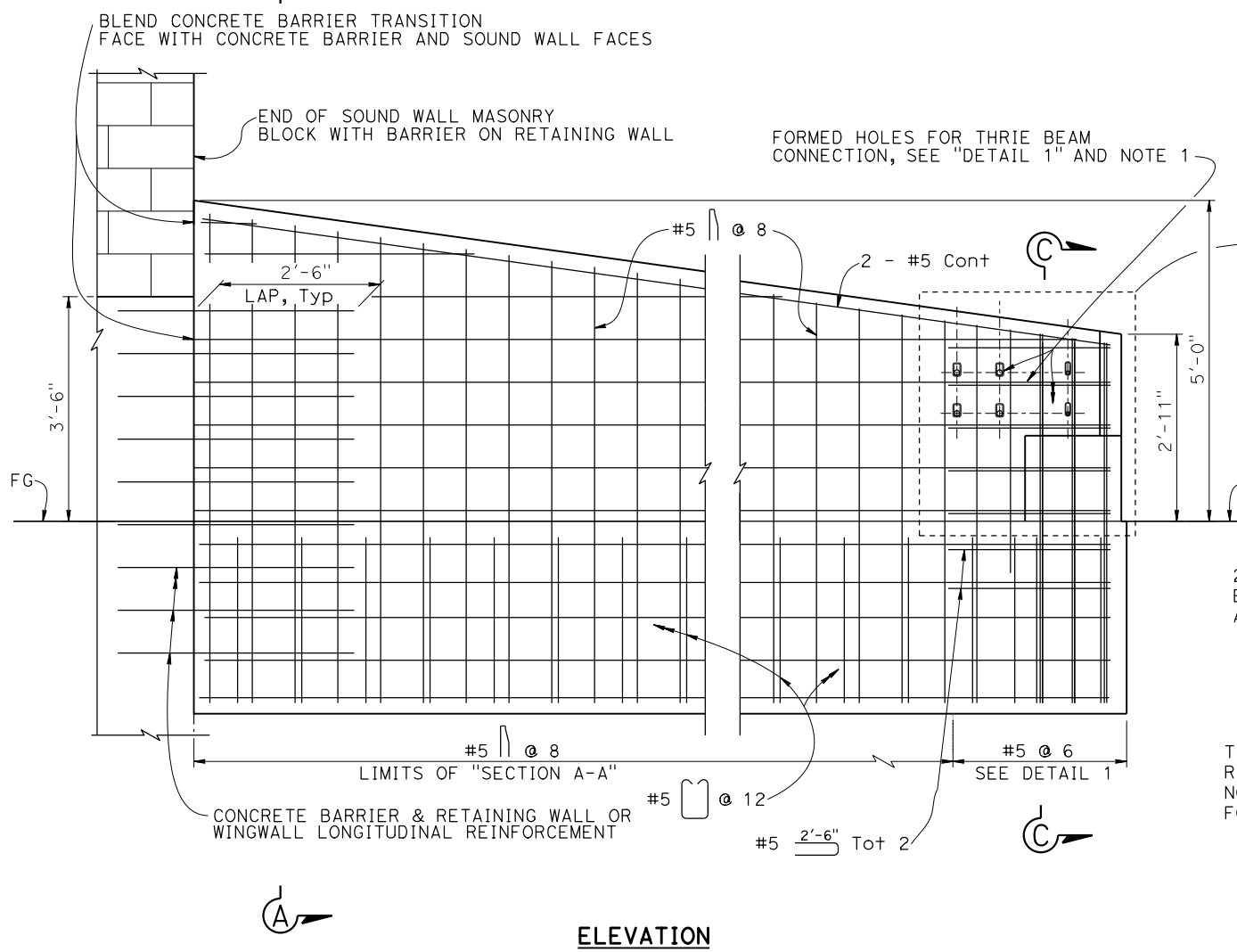
PLAN



SECTION A-A



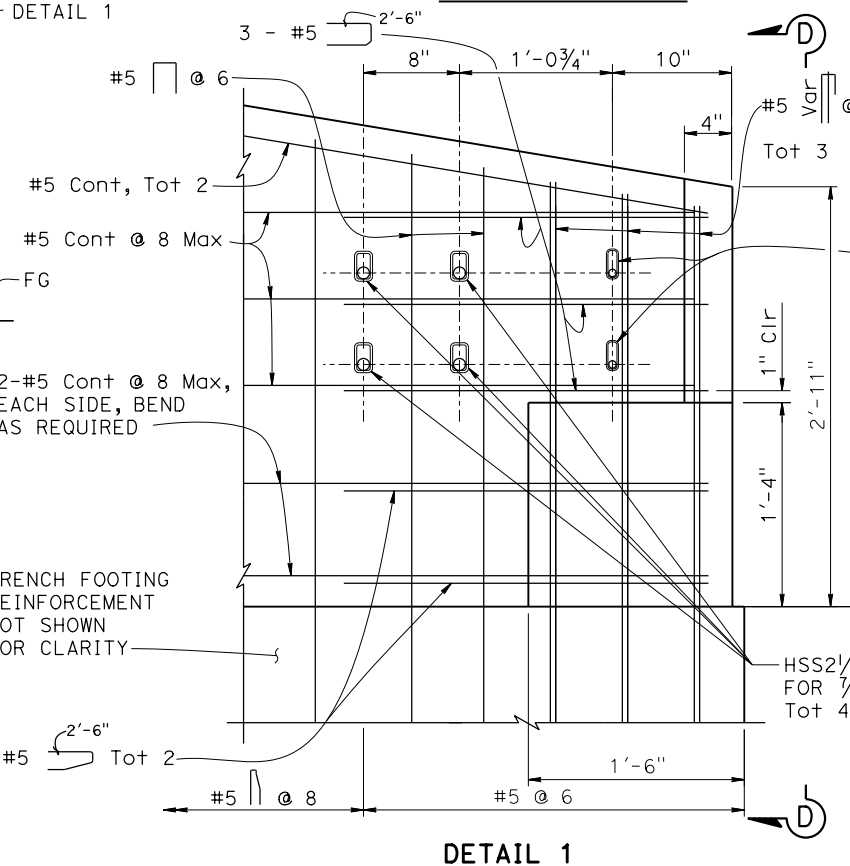
SECTION C-C



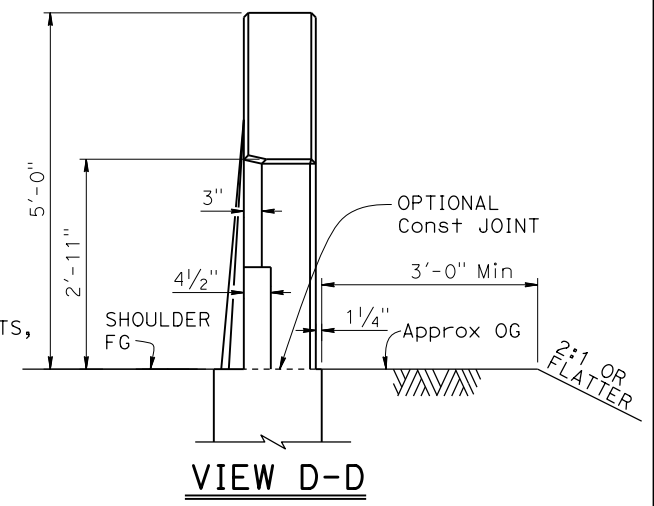
ELEVATION

CONCRETE BARRIER TRANSITION AT APPROACH

Note: See Note 2.



DETAIL 1



VIEW D-D

NO SCALE

Dist	COUNTY	ROUTE	POST MILES TOTAL PROJECT	SHEET No.	TOTAL SHEETS

REGISTERED CIVIL ENGINEER DATE _____ X

PLANS APPROVAL DATE _____

THE STATE OF CALIFORNIA OR ITS OFFICERS OR AGENTS SHALL NOT BE RESPONSIBLE FOR THE ACCURACY OR COMPLETENESS OF SCANNED COPIES OF THIS PLAN SHEET.

THE REGISTERED CIVIL ENGINEER FOR THE PROJECT IS RESPONSIBLE FOR THE SELECTION AND PROPER APPLICATION OF THE COMPONENT DESIGN AND ANY MODIFICATIONS SHOWN.