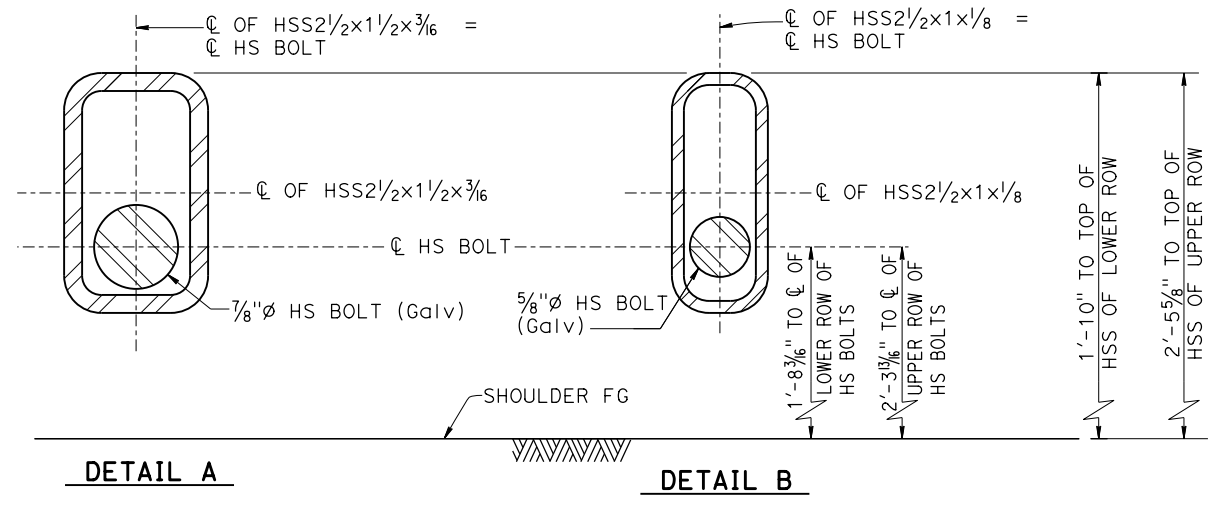
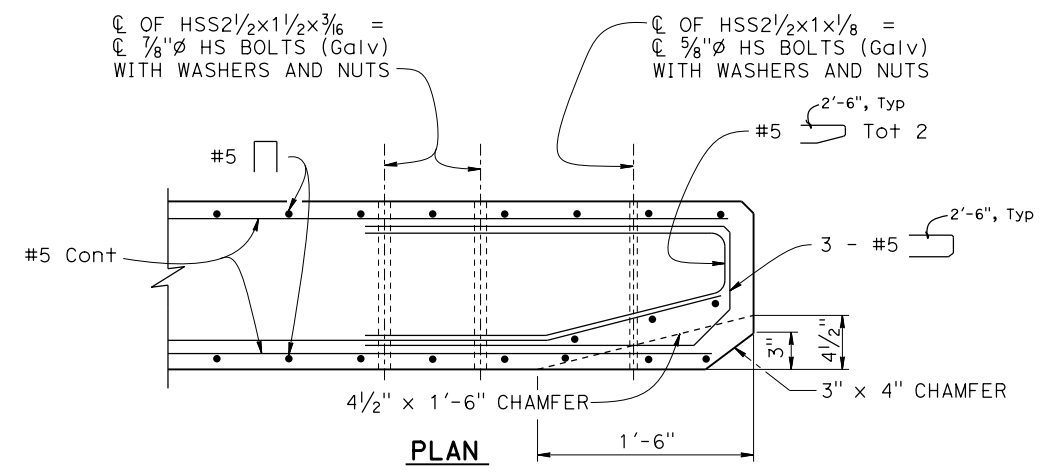
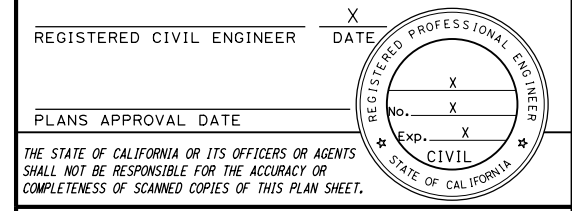
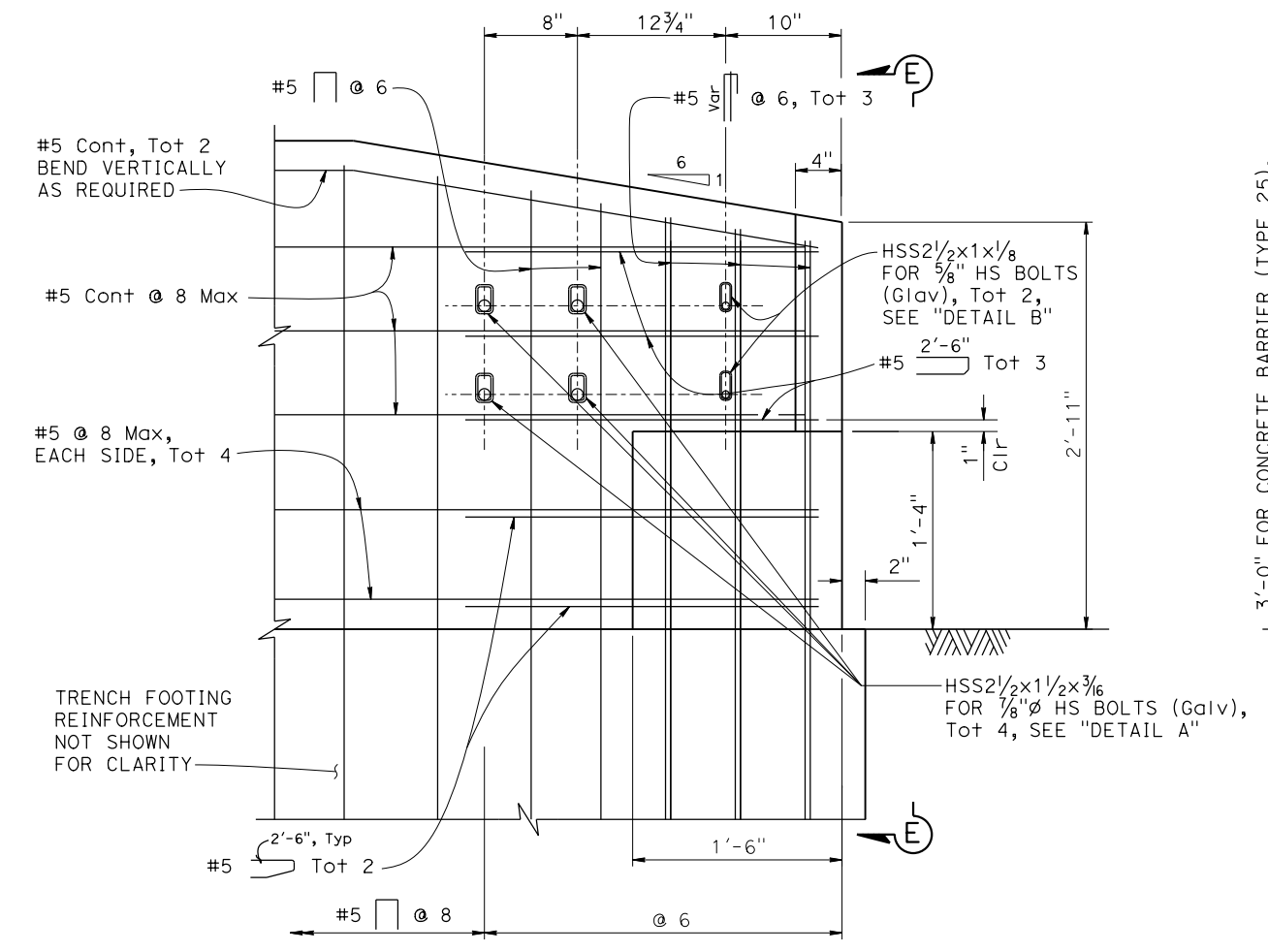


Dist	COUNTY	ROUTE	POST MILES TOTAL PROJECT	SHEET No.	TOTAL SHEETS
			X		
REGISTERED CIVIL ENGINEER			DATE		
PLANS APPROVAL DATE					
THE STATE OF CALIFORNIA OR ITS OFFICERS OR AGENTS SHALL NOT BE RESPONSIBLE FOR THE ACCURACY OR COMPLETENESS OF SCANNED COPIES OF THIS PLAN SHEET.					
THE REGISTERED CIVIL ENGINEER FOR THE PROJECT IS RESPONSIBLE FOR THE SELECTION AND PROPER APPLICATION OF THE COMPONENT DESIGN AND ANY MODIFICATIONS SHOWN.					



APPROACH TRANSITION END BLOCK FORMED HOLES

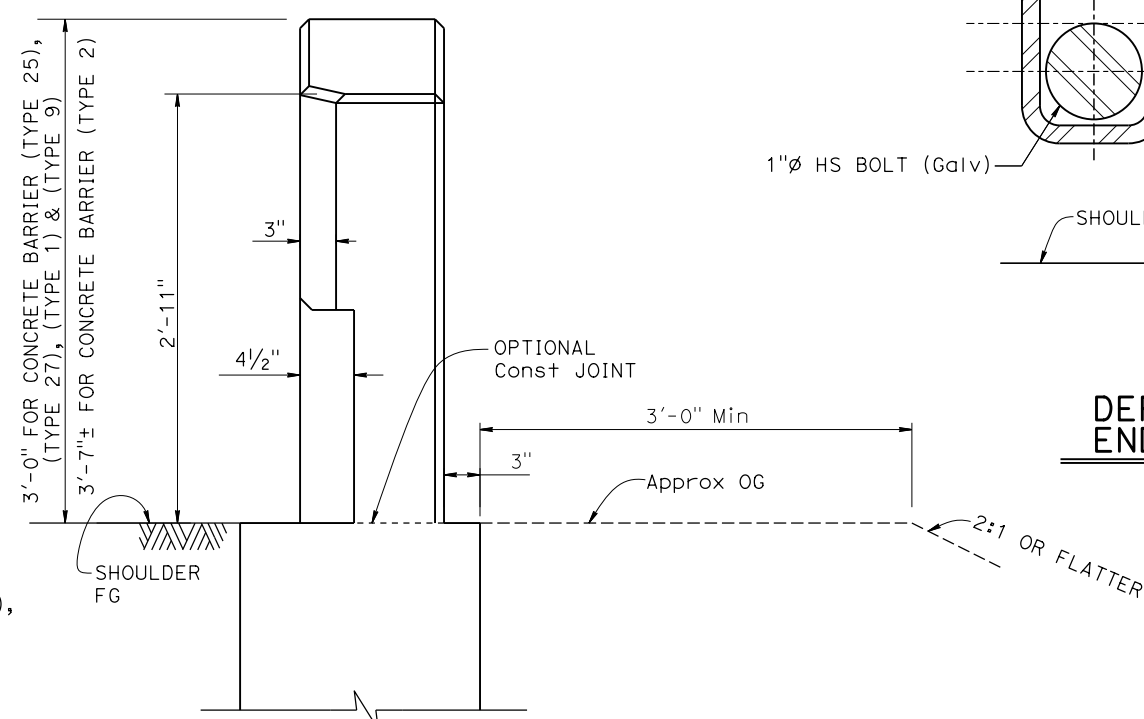
NO SCALE



ELEVATION

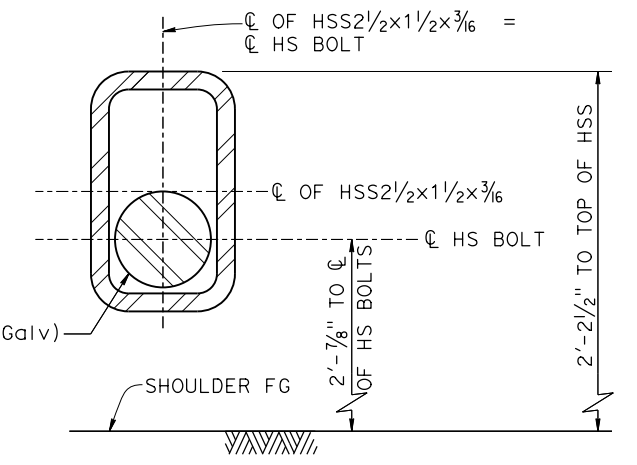
APPROACH TRANSITION END BLOCK DETAILS

NO SCALE



VIEW E-E

NO SCALE



DETAIL C

NOTE: See note 2.

DEPARTURE TRANSITION END BLOCK FORMED HOLES

NO SCALE

- NOTES:
- Adjust reinforcement as needed to clear HSS section by at least 1".
 - For typical connection for concrete barrier transition at departure end block to MGS details, see "MGS BRIDGE DEPARTURE CONNECTION DETAIL BB" ON Revised Standard Plan RSP A79B1 AND "DETAIL C" on this sheet.