

Dist	COUNTY	ROUTE	POST MILES TOTAL PROJECT	SHEET No.	TOTAL SHEETS
				X	
REGISTERED CIVIL ENGINEER			DATE	X	
PLANS APPROVAL DATE			X		
THE STATE OF CALIFORNIA OR ITS OFFICERS OR AGENTS SHALL NOT BE RESPONSIBLE FOR THE ACCURACY OR COMPLETENESS OF SCANNED COPIES OF THIS PLAN SHEET.					
THE REGISTERED CIVIL ENGINEER FOR THE PROJECT IS RESPONSIBLE FOR THE SELECTION AND PROPER APPLICATION OF THE COMPONENT DESIGN AND ANY MODIFICATIONS SHOWN.					

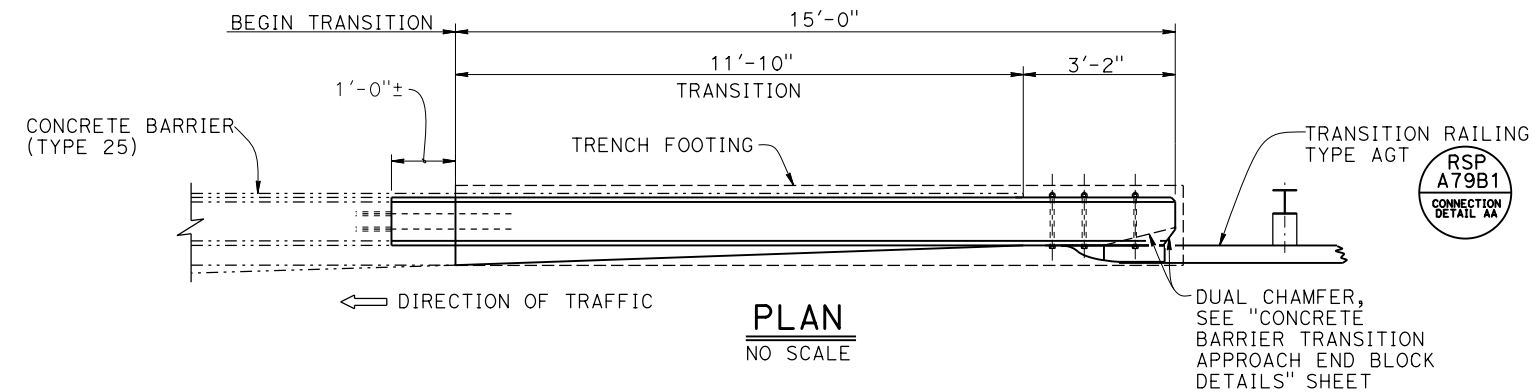
GENERAL NOTES LOAD AND RESISTANCE FACTOR DESIGN

DESIGN:
AASHTO LRFD Bridge Design Specifications, 8th Edition with California Amendments

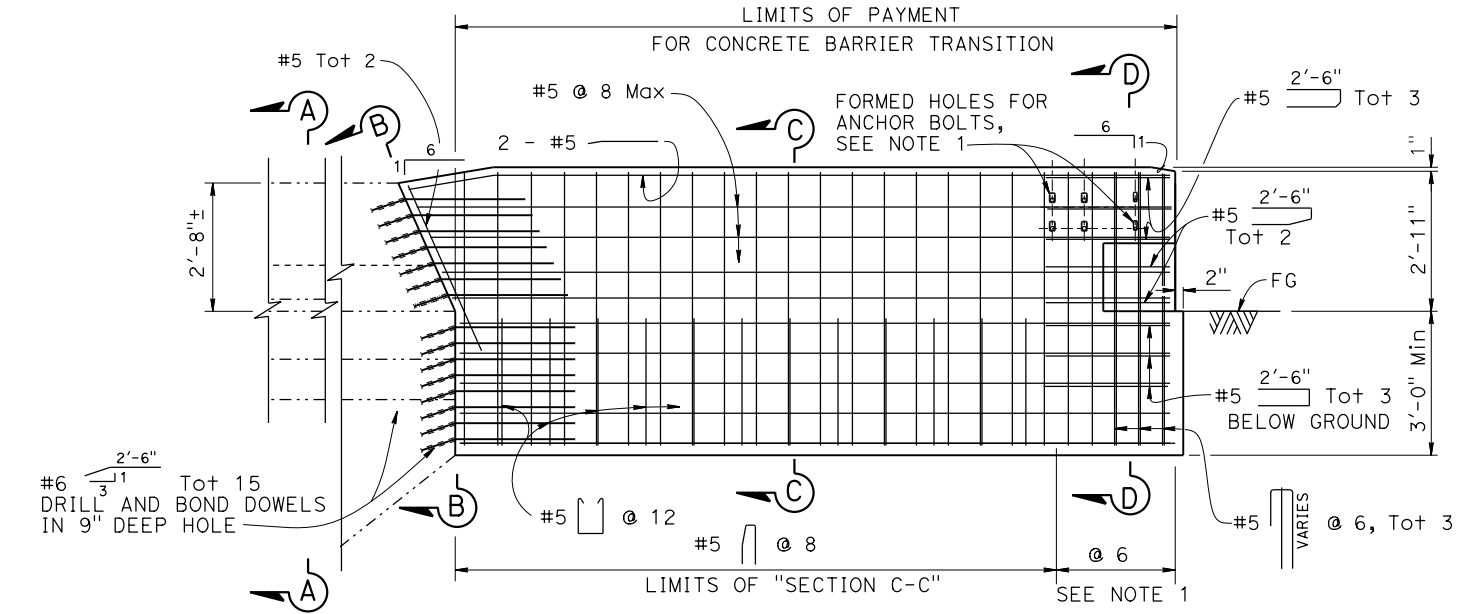
CT:
 $F_t = 54$ kips on Barrier

SOIL PROPERTIES:
 $\phi = 30^\circ$
 $\gamma = 120$ pcf

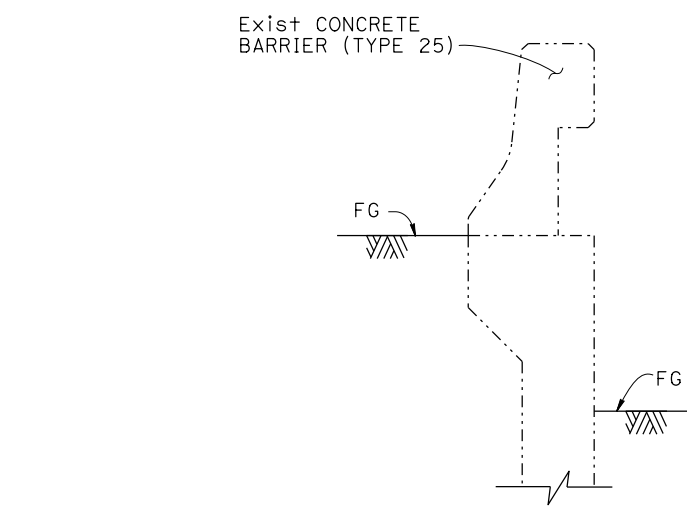
REINFORCED CONCRETE:
 $F_y = 60$ ksi
 $f'_c = 3.6$ ksi



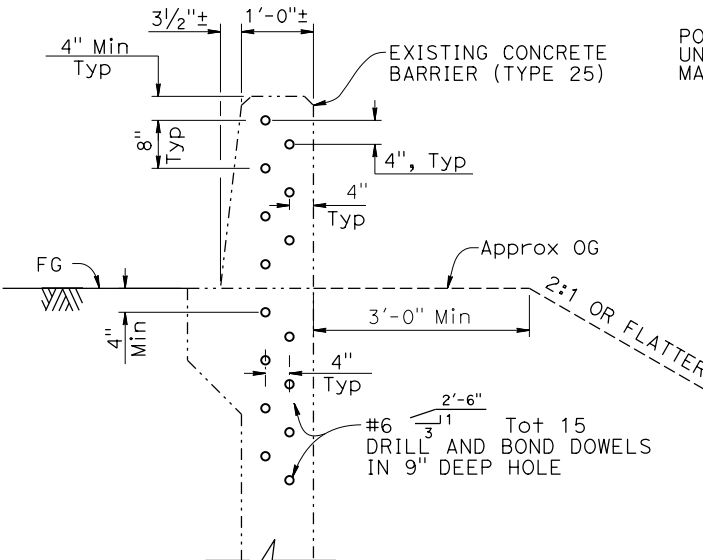
PLAN
NO SCALE



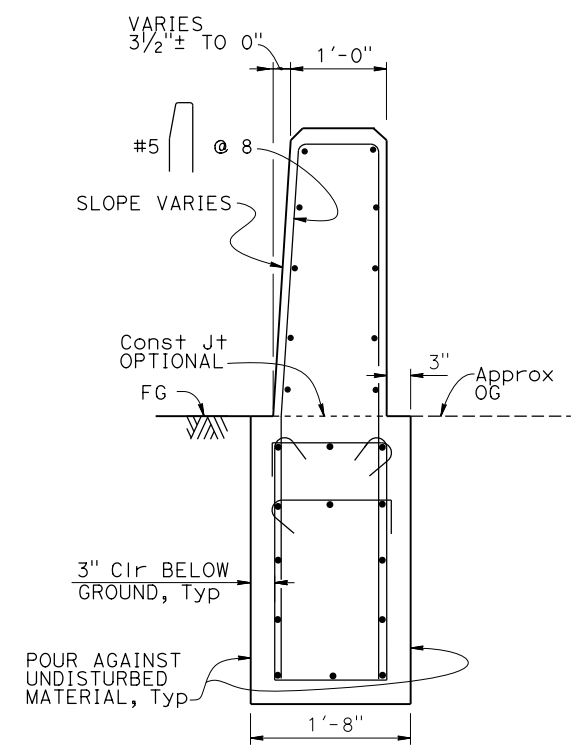
ELEVATION
NO SCALE



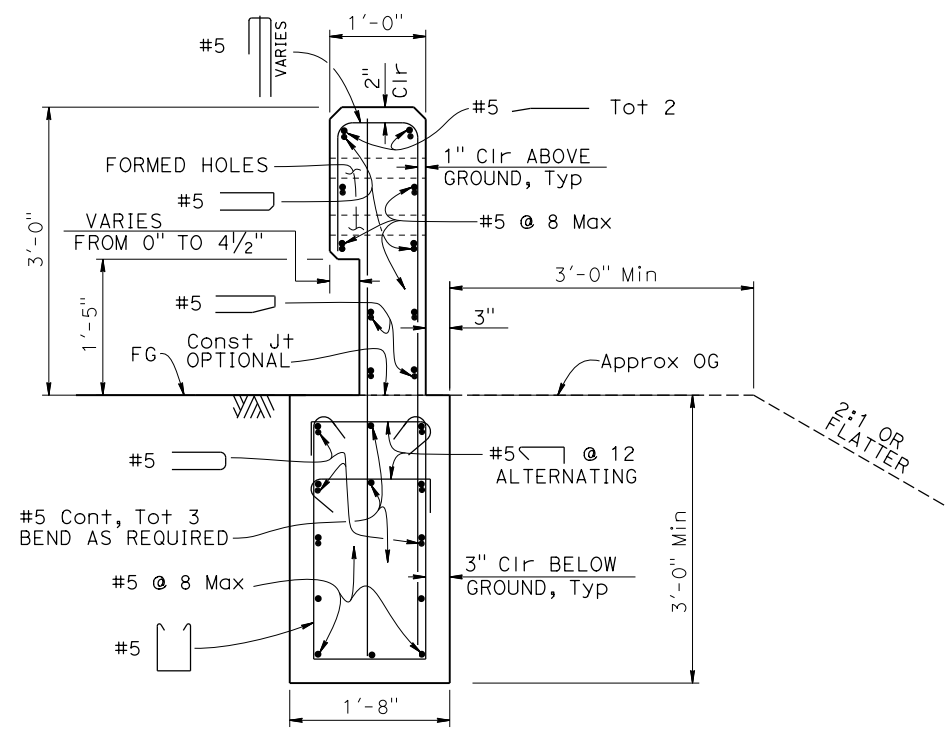
SECTION A-A
NO SCALE



SECTION B-B
NO SCALE



SECTION C-C
NO SCALE



SECTION D-D
NO SCALE

NOTE:
For details not shown, see "SECTION D-D"

NOTE:
1. For additional approach end block details, see "CONCRETE BARRIER TRANSITION APPROACH END BLOCK DETAILS" sheet.

- LEGEND:
- Existing Structure
 - STANDARD PLAN SHEET No.
 - DETAIL No.

NOTE:
THE CONTRACTOR SHALL VERIFY ALL CONTROLLING FIELD DIMENSIONS BEFORE ORDERING OR FABRICATING ANY MATERIAL.

BRIDGE STANDARD DETAILS			STATE OF CALIFORNIA			DIVISION OF ENGINEERING SERVICES			X		
xs16-010 <small>FILE NO.</small>	January 2024 <small>APPROVAL DATE</small>	The components of the Bridge Standard Details have been prepared under the responsible charge of the Technical Owner, a registered civil engineer in the State of California.	DEPARTMENT OF TRANSPORTATION			CONCRETE BARRIER TRANSITION			AGT CONNECTION TO TYPE 25		
Refer to: http://www.dot.ca.gov/hq/esc/techpubs/manual/bridgemanuals/bridge-standard-detail-sheets/index.html			DATE PLOTTED => 11-JAN-2024 FILE => 202401-xs16-010.dgn			TIME PLOTTED => 22:27 USERNAME => s120745			ORIGINAL SCALE IN INCHES FOR REDUCED PLANS		
			0 1 2 3			UNIT: XXXX PROJECT NUMBER & PHASE: XXXXXXXXXX1			COUNTY/ROUTE: XXX/XXX CONTRACT No.: XX-XXXXX4		
						DISREGARD PRINTS BEARING EARLIER REVISION DATES			REVISION DATES		
									SHEET OF X X		