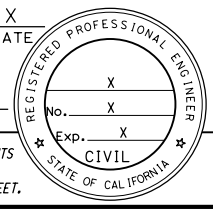
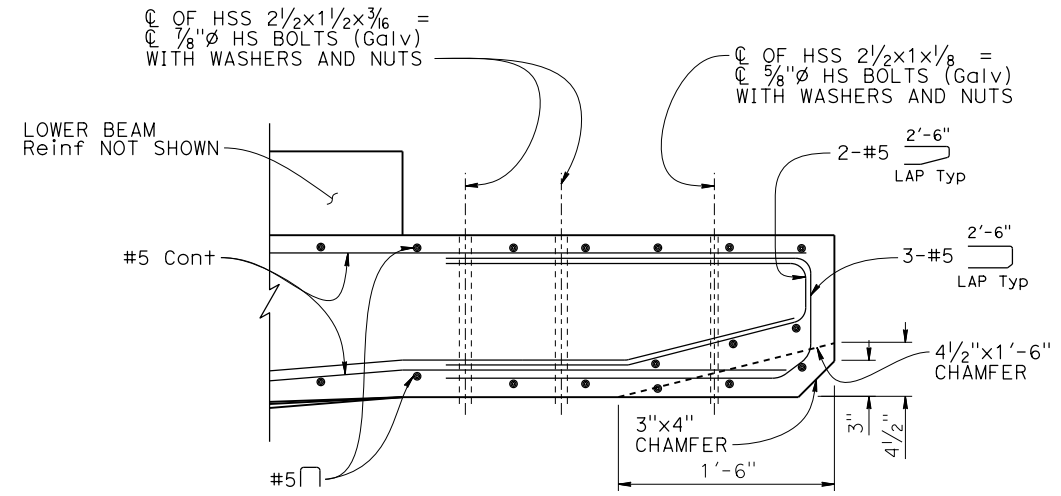


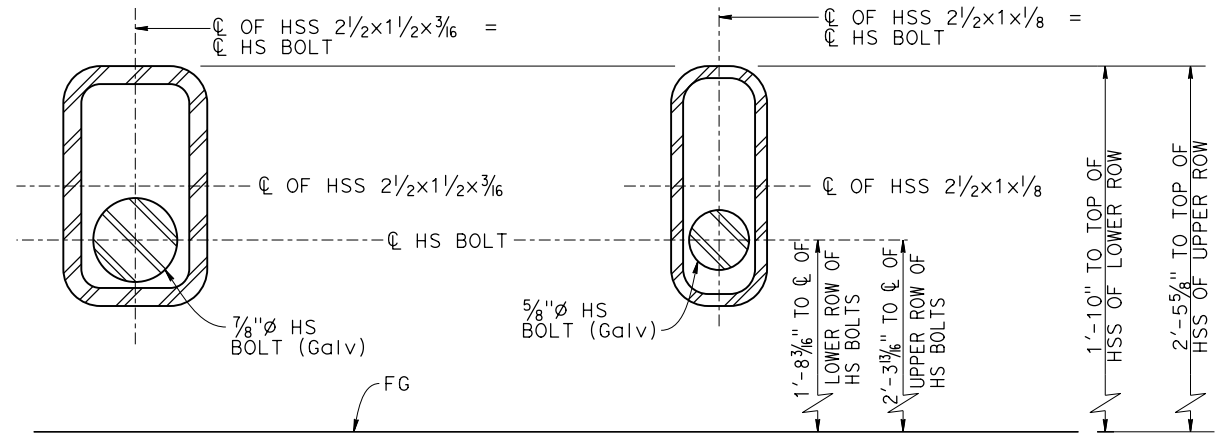
Dist	COUNTY	ROUTE	POST MILES TOTAL PROJECT	SHEET No.	TOTAL SHEETS
REGISTERED CIVIL ENGINEER			X	DATE	
PLANS APPROVAL DATE					
THE STATE OF CALIFORNIA OR ITS OFFICERS OR AGENTS SHALL NOT BE RESPONSIBLE FOR THE ACCURACY OR COMPLETENESS OF SCANNED COPIES OF THIS PLAN SHEET.					
THE REGISTERED CIVIL ENGINEER FOR THE PROJECT IS RESPONSIBLE FOR THE SELECTION AND PROPER APPLICATION OF THE COMPONENT DESIGN AND ANY MODIFICATIONS SHOWN.					



- NOTES:
- Adjust reinforcement as needed to clear HSS section by minimum.
 - For typical connection for concrete barrier transition at departure end block to MGS details, see "MGS BRIDGE DEPARTURE CONNECTION DETAIL BB" on Revised Standard Plan RSP A79B1 and "DETAIL C" on this sheet.

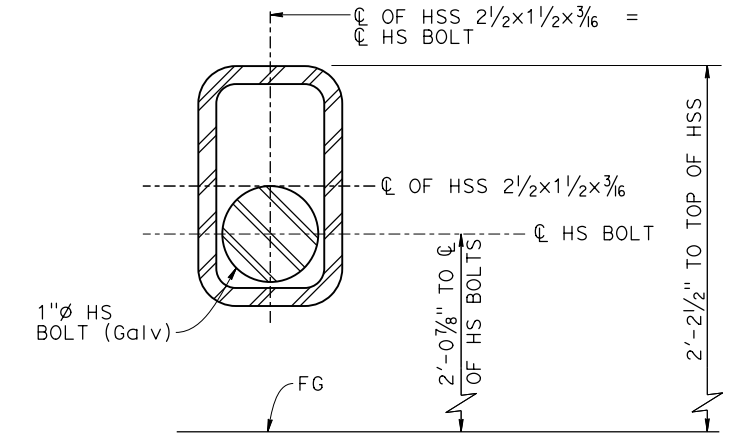


PLAN

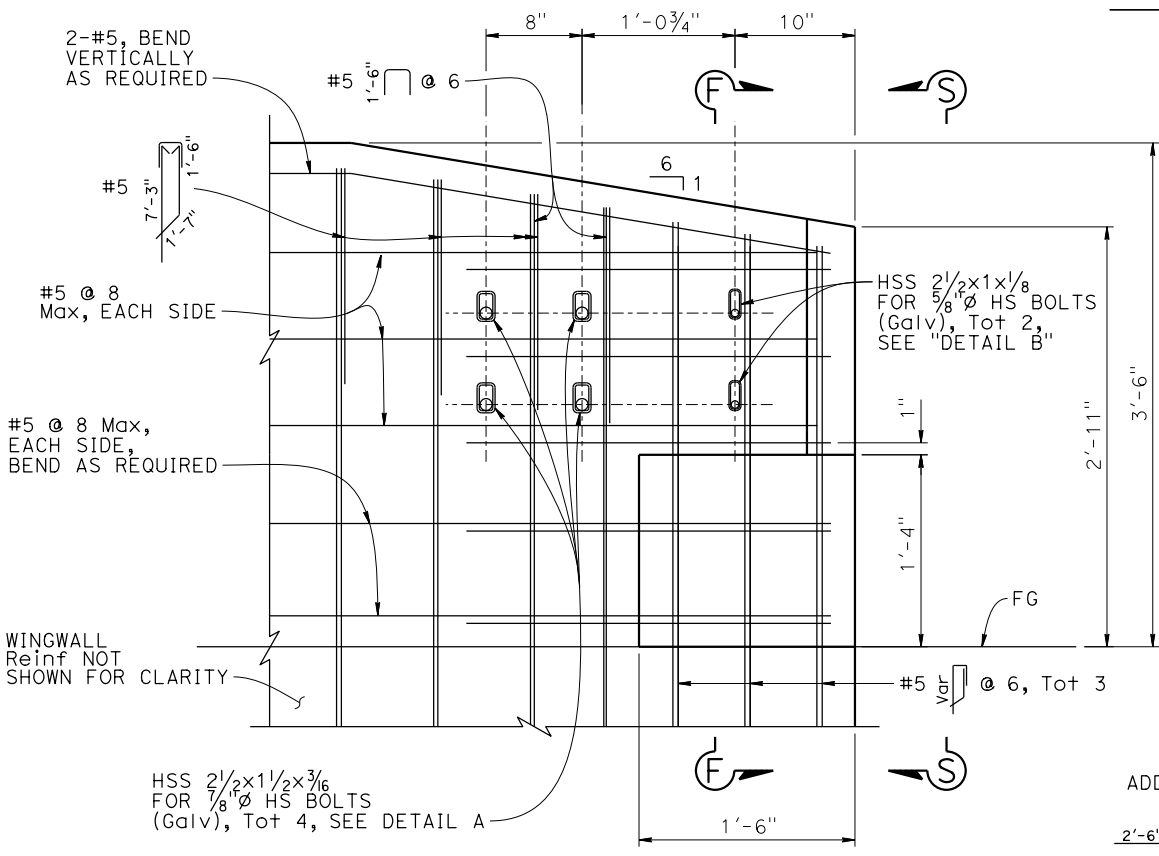


DETAIL A

DETAIL B



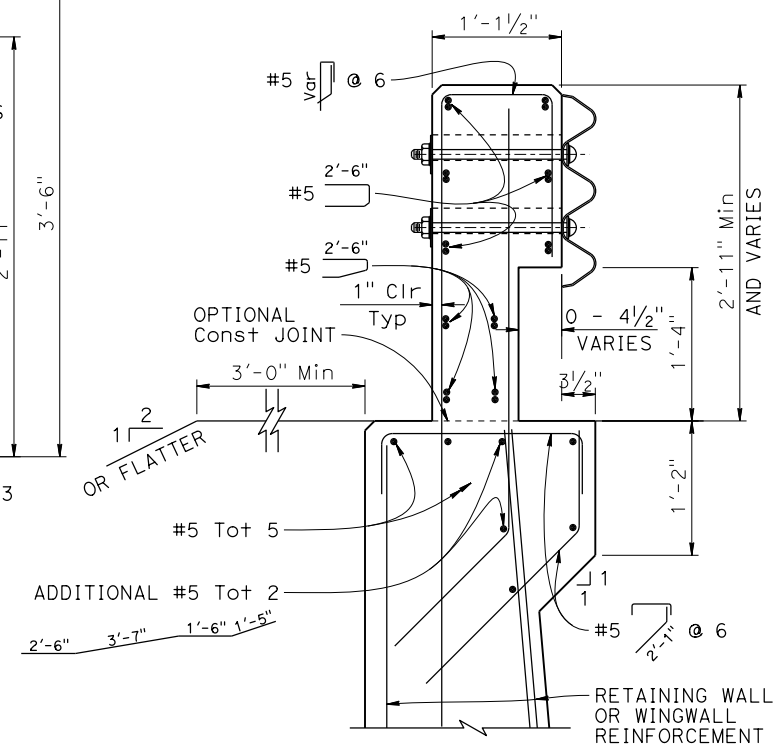
DETAIL C



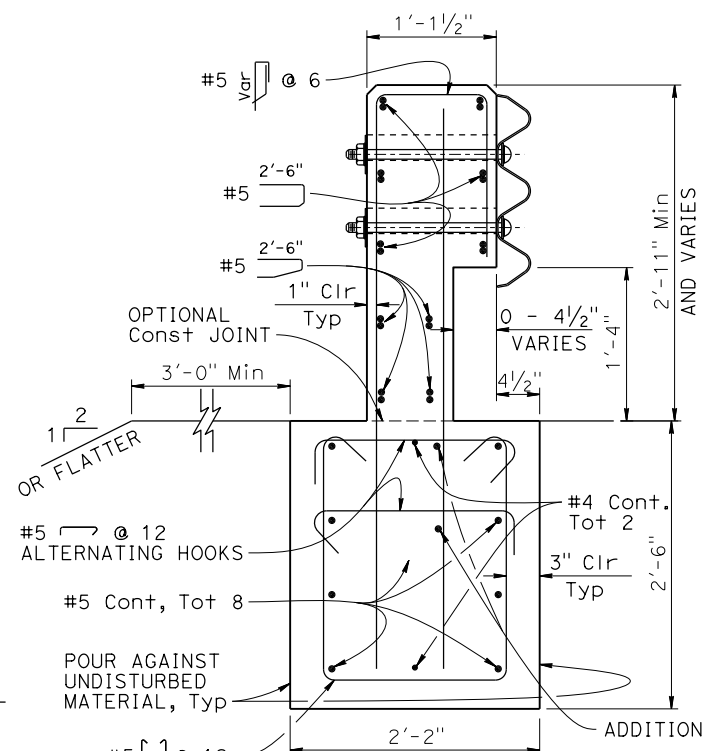
ELEVATION

APPROACH TRANSITION END BLOCK FORMED HOLES

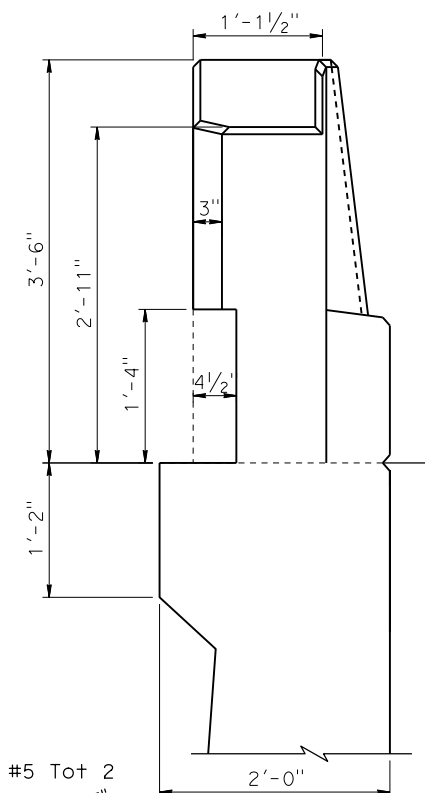
DEPARTURE TRANSITION END BLOCK FORMED HOLES



SECTION F-F



SECTION F-F



VIEW S-S

APPROACH TRANSITION END BLOCK DETAILS

Note: For Type 86HB on trench footing

NO SCALE

BRIDGE STANDARD DETAILS		The components of the Bridge Standard Details have been prepared under the responsible charge of the Technical Owner, a registered civil engineer in the State of California.	STATE OF CALIFORNIA DEPARTMENT OF TRANSPORTATION	DIVISION OF ENGINEERING SERVICES	BRIDGE No.	X	CONCRETE BARRIER TYPE 86H DETAILS No. 6	
xs16-127-6 FILE NO.	JANUARY 2024 APPROVAL DATE				XX-XXXX POST MILE			X.X
Refer to: http://www.dot.ca.gov/hq/esc/techpubs/manual/bridgemanuals/bridge-standard-detail-sheets/index.html		DATE PLOTTED => 7-NOV-2023 FILE => xs16-127-6_110623.dgn	TIME PLOTTED => 08:51 USERNAME => s155182	ORIGINAL SCALE IN INCHES FOR REDUCED PLANS	UNIT: XXXX PROJECT NUMBER & PHASE: XXXXXXXXXX1	COUNTY/ROUTE/ZONE: XXX/XXX/X CONTRACT No.: XX-XXXXX4	DISREGARD PRINTS BEARING EARLIER REVISION DATES	
							REVISION DATES	SHEET OF X X