

DIST	COUNTY	ROUTE	POST MILES TOTAL PROJECT	SHEET No.	TOTAL SHEETS

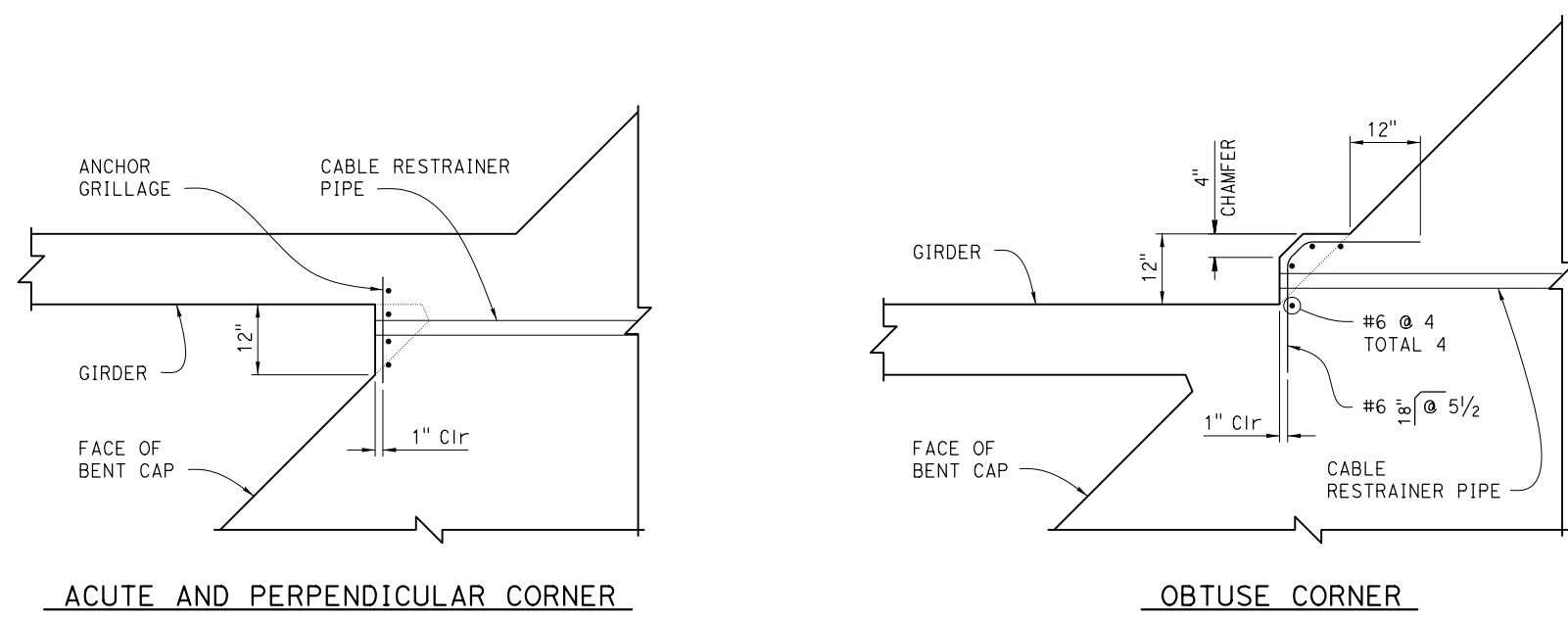
  

REGISTERED CIVIL ENGINEER	DATE
PLANS APPROVAL DATE	

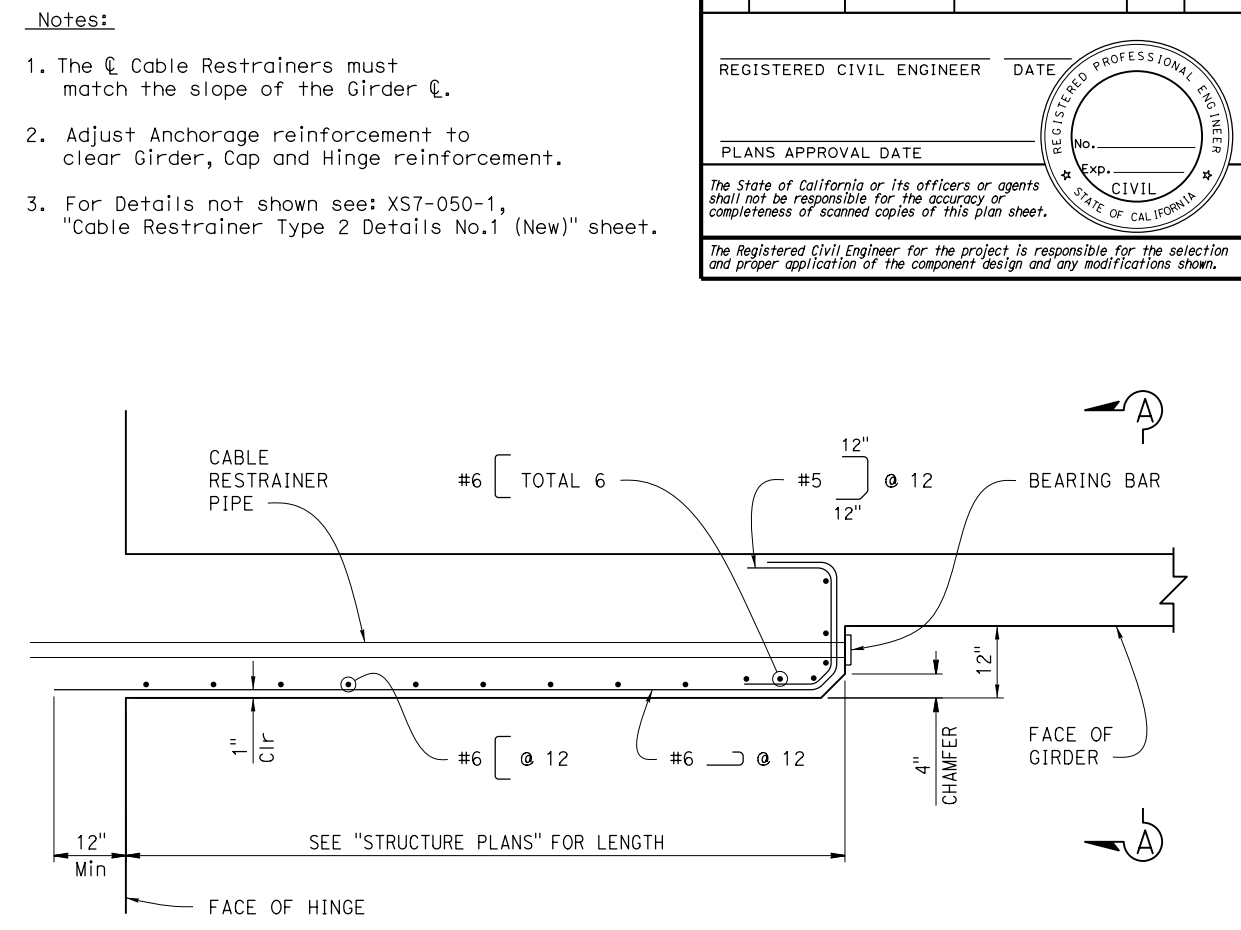
REGISTERED PROFESSIONAL ENGINEER  
No. \_\_\_\_\_  
Exp. \_\_\_\_\_  
CIVIL  
STATE OF CALIFORNIA

The State of California or its officers or agents shall not be responsible for the accuracy or completeness of scanned copies of this plan sheet.

The Registered Civil Engineer for the project is responsible for the selection and proper application of the component design and any modifications shown.

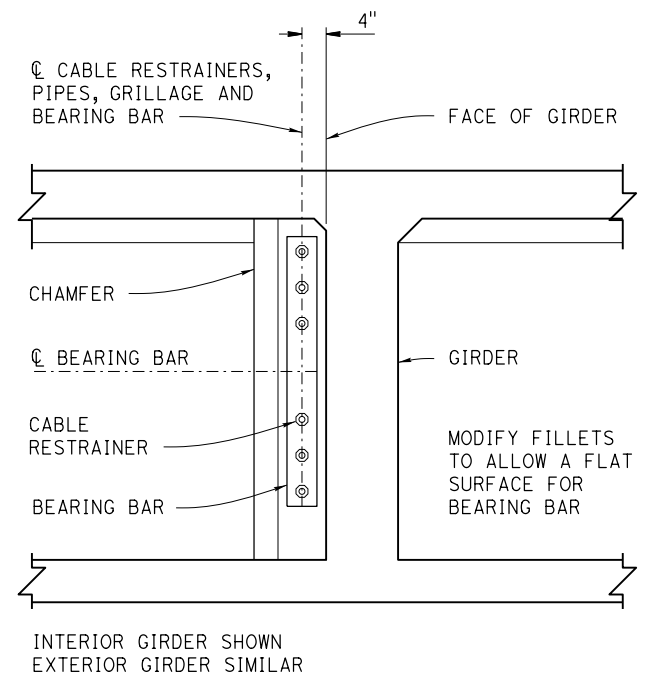


**ANCHORAGE REINFORCEMENT PLAN**  
3/4" = 1'-0"

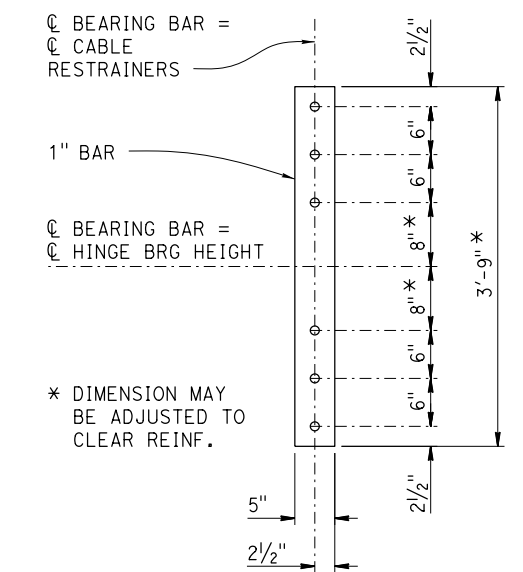


**STANDARD ANCHORAGE**

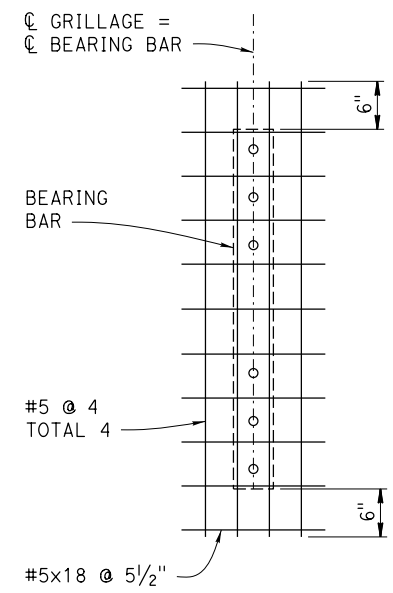
**ALTERNATIVE ANCHORAGE**



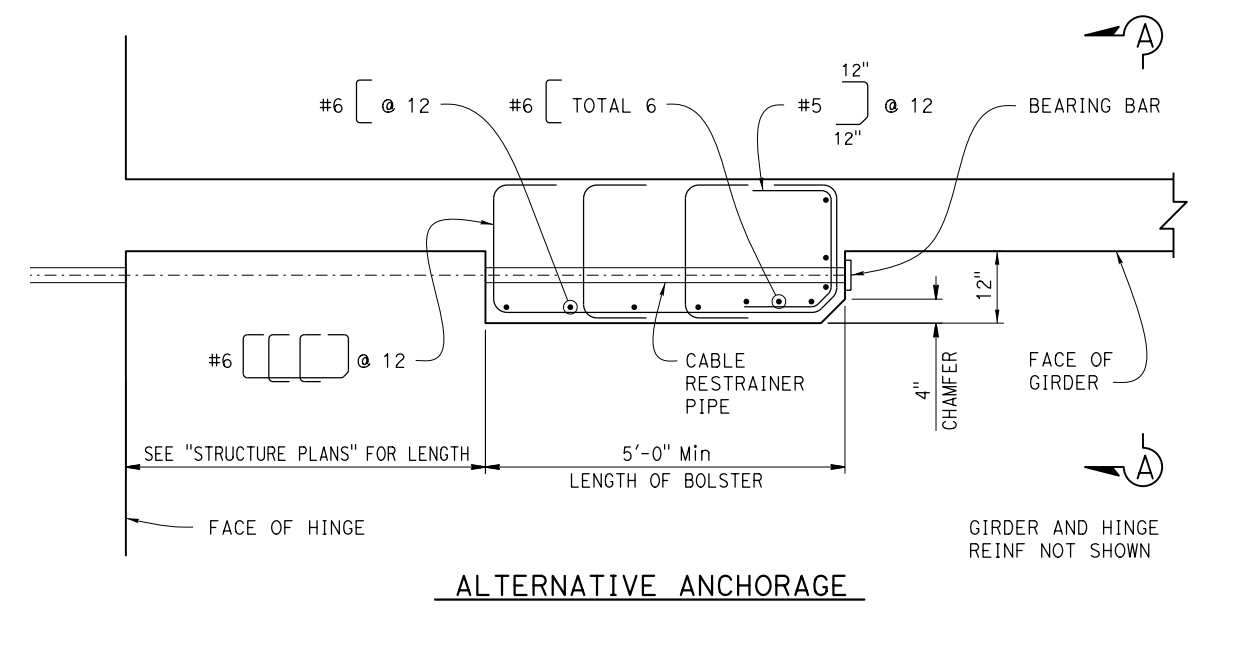
**VIEW A-A**  
3/4" = 1'-0"



**BEARING BAR**  
1" = 1'-0"



**ANCHOR GRILLAGE**  
1" = 1'-0"



**TYPE 2-B HINGE SIDE ANCHORAGE**

**SECTION B-B**

1/2" = 1'-0"

<b>BRIDGE STANDARD DETAILS</b>			<b>STATE OF CALIFORNIA</b>		<b>DIVISION OF ENGINEERING SERVICES</b>		<b>CABLE RESTRAINER TYPE 2 DETAILS No.2 (NEW)</b>	
xs7-050-2 FILE NO.	July 2014 APPROVAL DATE	The components of the Bridge Standard Details have been prepared under the responsible charge of the Technical Owner, a registered civil engineer in the State of California.	<b>DEPARTMENT OF TRANSPORTATION</b>		<b>ENGINEERING SERVICES</b>		<b>CABLE RESTRAINER TYPE 2 DETAILS No.2 (NEW)</b>	
Refer to: <a href="http://www.dot.ca.gov/hq/esc/techpubs/manual/bridgemanuals/bridge-standard-detail-sheets/index.html">http://www.dot.ca.gov/hq/esc/techpubs/manual/bridgemanuals/bridge-standard-detail-sheets/index.html</a>			FILE => xs7-050-2.dgn USERNAME => s136236		ORIGINAL SCALE IN INCHES FOR REDUCED PLANS		UNIT: PROJECT NUMBER & PHASE: CONTRACT NO.:	
			TIME PLOTTED => 07:27		DATE PLOTTED => 12-JUL-2016		DISREGARD PRINTS BEARING EARLIER REVISION DATES	
							REVISION DATES: 5-18-14 7-8-16	
							SHEET OF	

**Notes:**

1. The  $\phi$  Cable Restrainers must match the slope of the Girder  $\phi$ .
2. Adjust Anchorage reinforcement to clear Girder, Cap and Hinge reinforcement.
3. For Details not shown see: XS7-050-1, "Cable Restrainer Type 2 Details No.1 (New)" sheet.