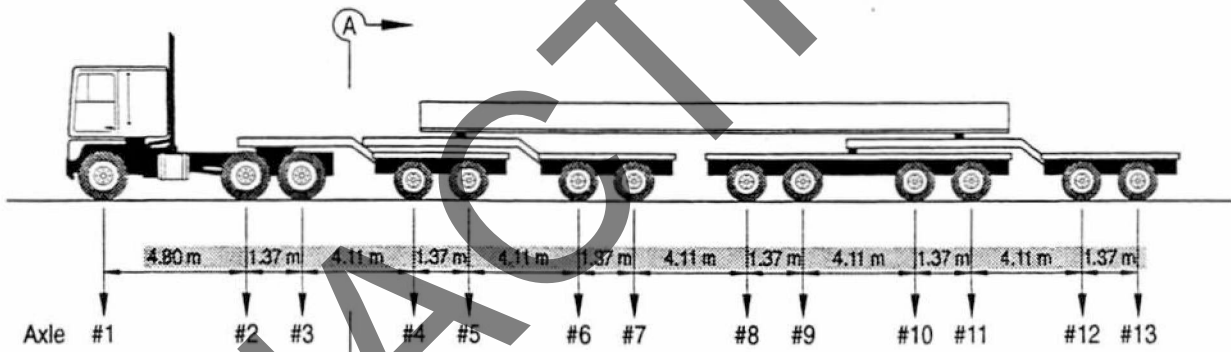
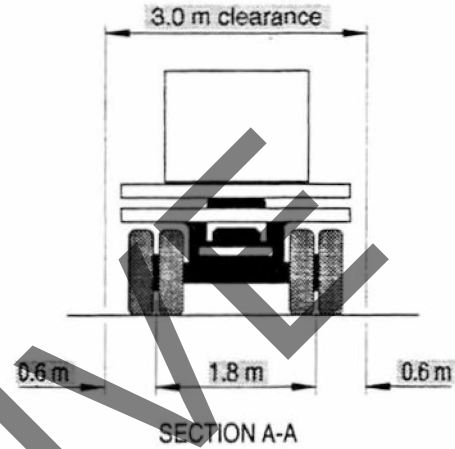


ATTACHMENT 1

TYPES OF TRUCKS

- Meaning of
 P P G G O
 P = Purple
 G = Green = 0.867 × Purple
 O = Orange = 0.667 × Purple
- 13 Axle Orange Truck
 - 11 Axle Green Truck
 - 9 Axle Green Truck
 - 7 Axle Purple Truck
 - 5 Axle Purple Truck



Standard Permit Rating and Design Vehicles with Purple Loads

Load Rate	Axle Purple Loads (Unbonused)												
	#1	#2	#3	#4	#5	#6	#7	#8	#9	#10	#11	#12	#13
P5	116 kN	107 kN	107 kN	107 kN	107 kN								
P7	116 kN	107 kN	107 kN	107 kN	107 kN	107 kN	107 kN						
P9	116 kN	107 kN	107 kN	107 kN	107 kN	107 kN	107 kN	107 kN	107 kN				
P11	116 kN	107 kN	107 kN	107 kN	107 kN	107 kN	107 kN	107 kN	107 kN	107 kN	107 kN		
P13	116 kN	107 kN	107 kN	107 kN	107 kN	107 kN	107 kN	107 kN	107 kN	107 kN	107 kN	107 kN	107 kN

Load Rate P5 = Minimum Vehicle
 Load Rate P13 = Maximum Vehicle