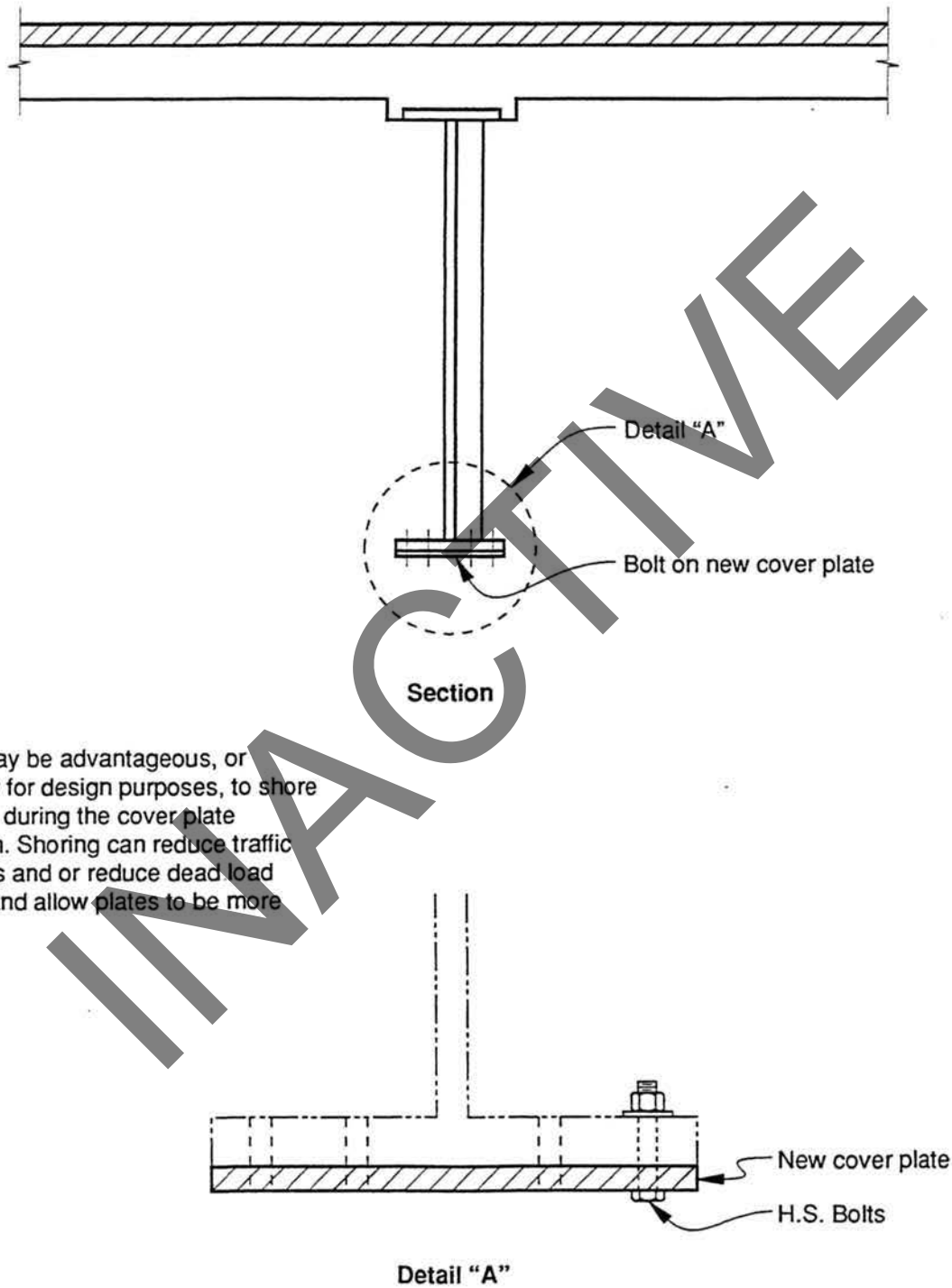


Figure 1. Strengthening by Adding Shear Connectors

Attachment A, Page 2 of 7



Note: It may be advantageous, or necessary for design purposes, to shore the bridge during the cover plate installation. Shoring can reduce traffic deflections and or reduce dead load stresses and allow plates to be more effective.

Figure 2. Strengthening by Cover Plates

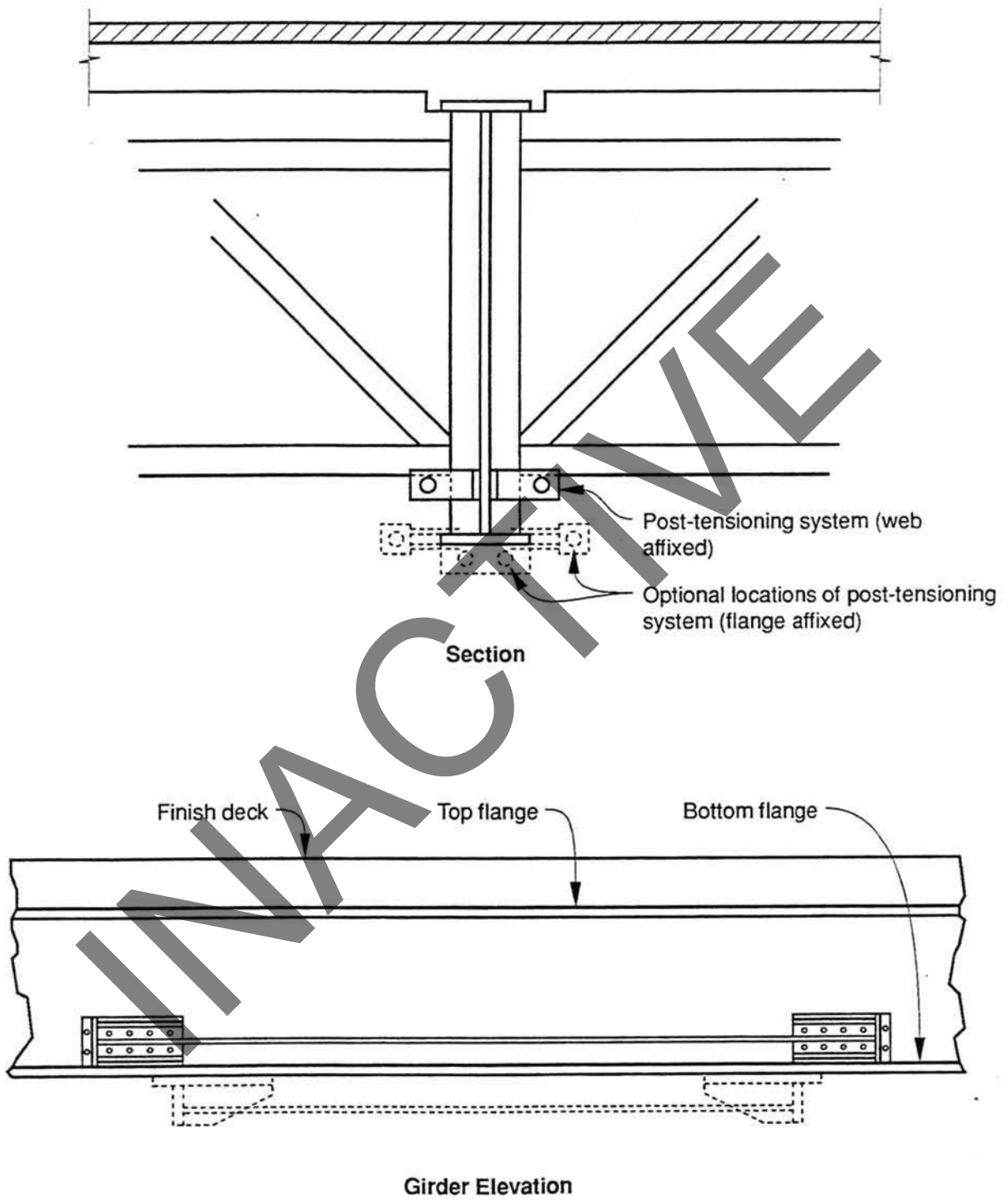


Figure 3. Strengthening by Post-Tensioning

Attachment A, Page 4 of 7

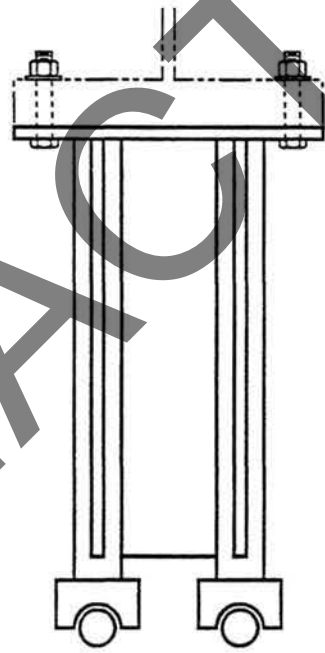
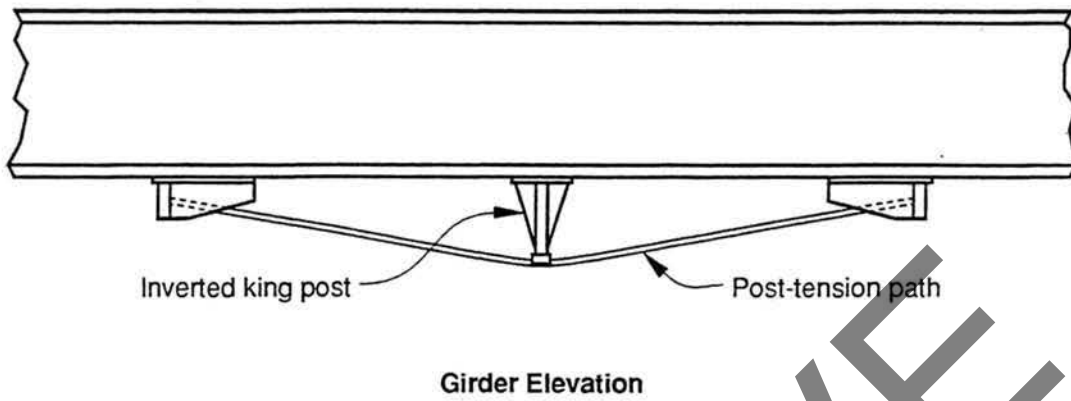


Figure 4. Strengthening by Post-Tensioning Using King Post

Note: Anchor brackets should always be used in pairs to balance forces about centerline of girder. Stressing should be done simultaneously on both brackets.

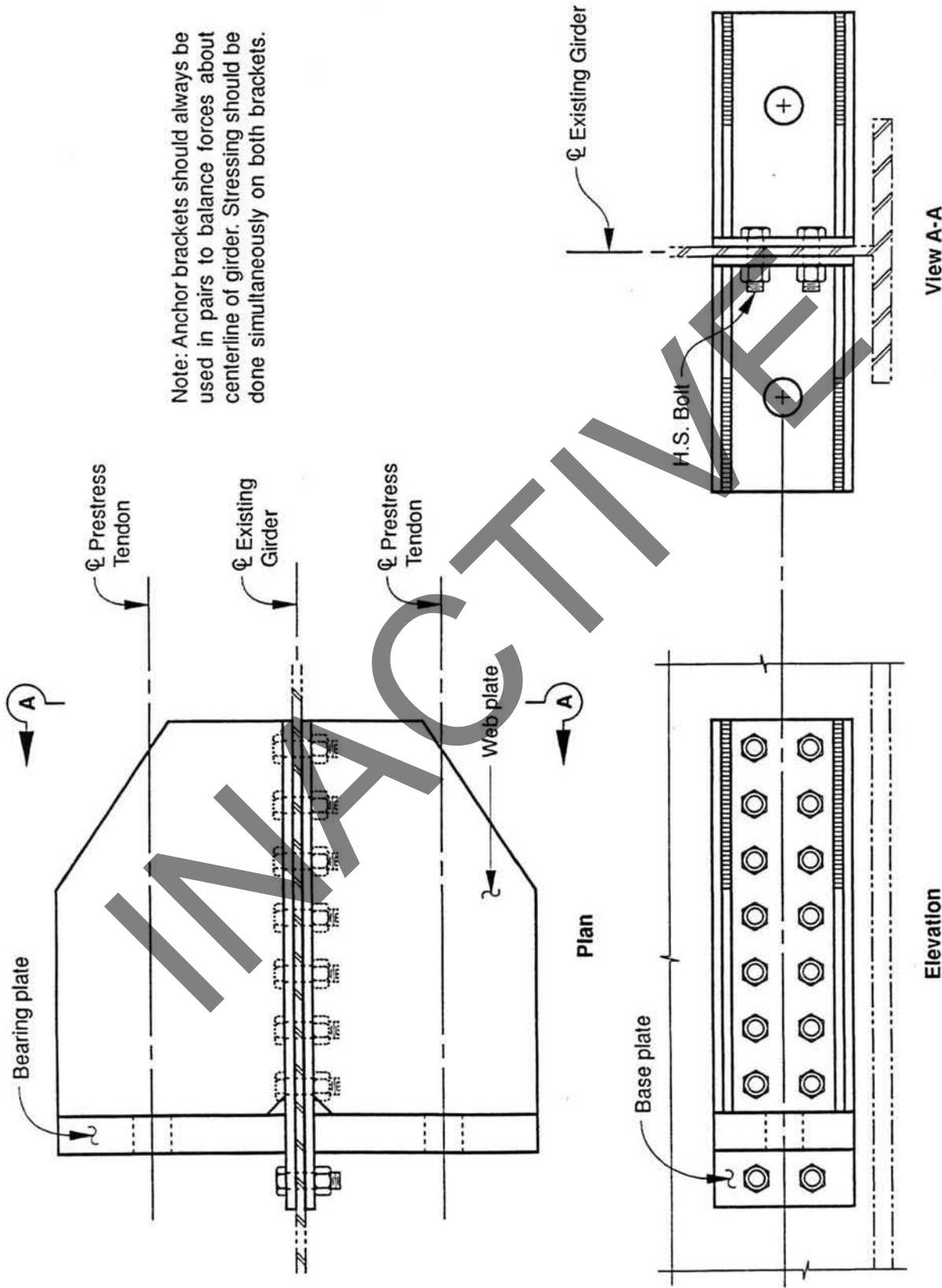
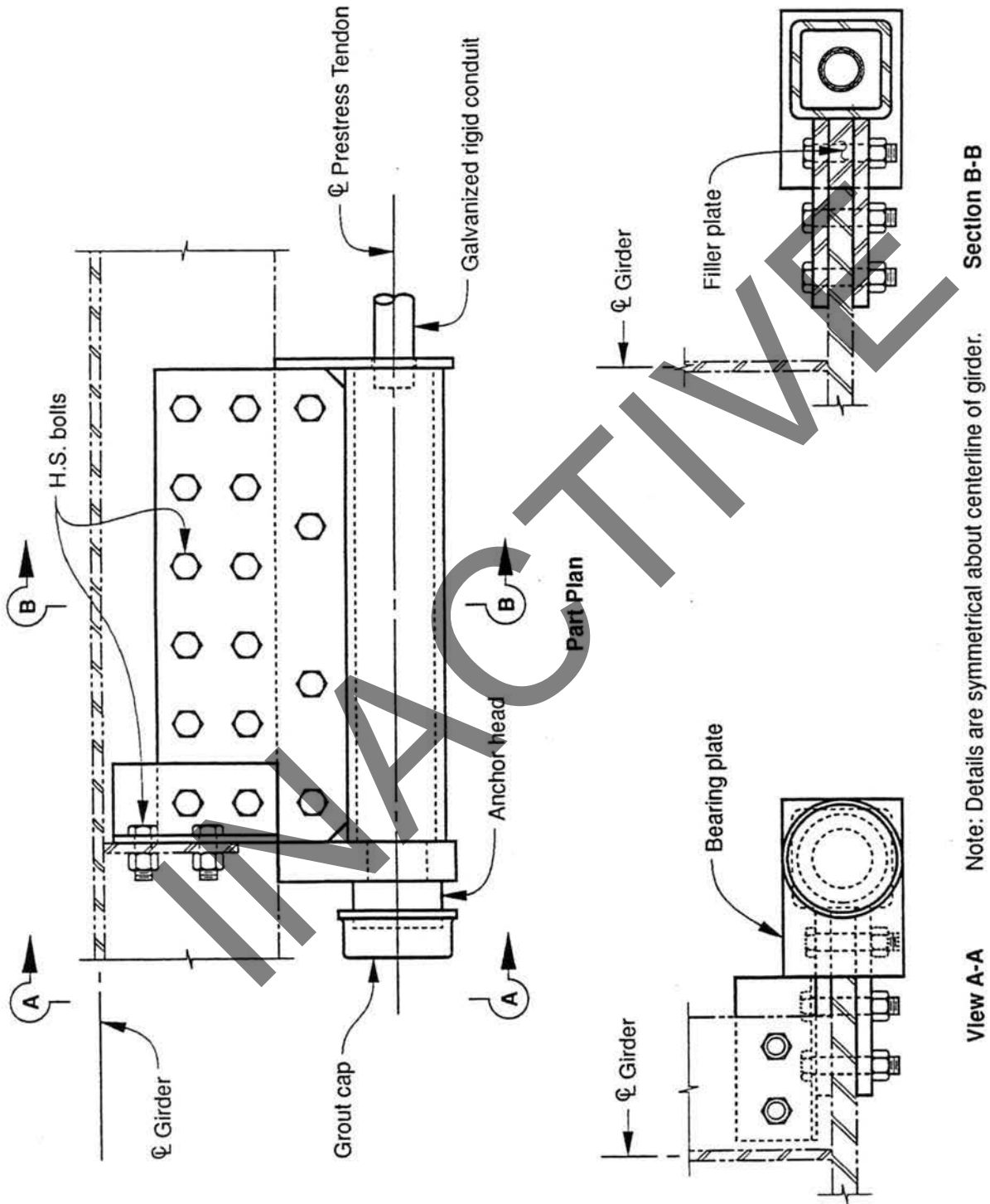


Figure 5. Girder Web Anchorage Bracket

Attachment A, Page 6 of 7



View A-A      Note: Details are symmetrical about centerline of girder.      Section B-B

Figure 6. Girder Flange Anchorage Bracket (Side Flange Mount)

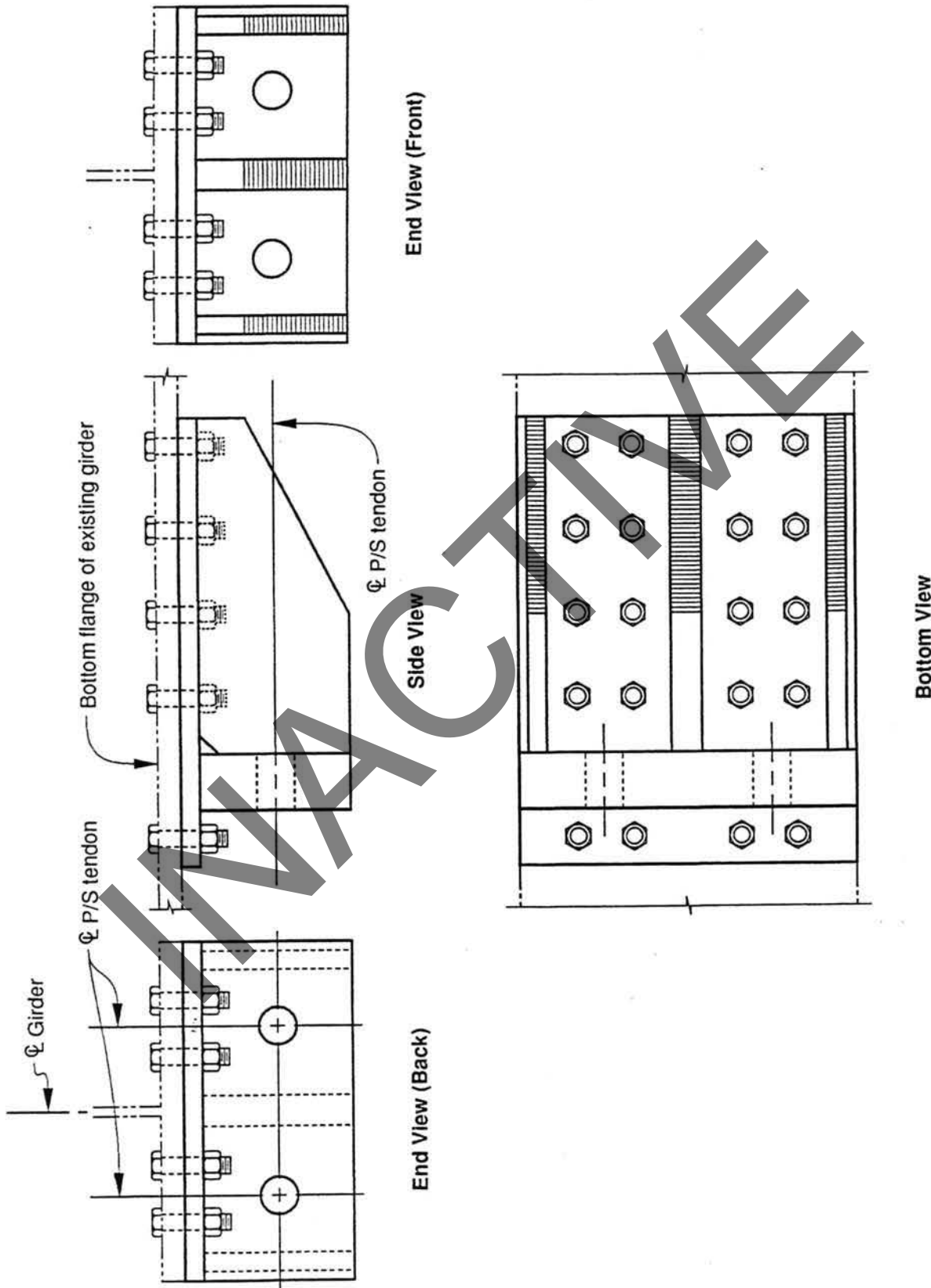


Figure 7. Girder Flange Anchorage Bracket (Bottom of Flange Mount)