



Caltrans® User Guide to Standard Plans Section S – OVERHEAD SIGNS – TUBULAR

Appendix C: Post Type Selection – Two Post

Introduction

Standard Plans for two post tubulars include 6 post type designations (I-VI). The sign designer uses this Appendix and the Standard Plans to determine the post type and shows the post type on the project plans.

Two Post Tubular Post Type Selection Method

Procedure:

- Determine the basic dimensions (see Figure 1 or Figure 2)
 - Sign Panel Depth, D , in inches
 - Span in feet
 - Height H from bottom of base plate to center of sign panel in feet
- Verify the basic dimensions meet the following limitations.
 - D must be 70 inches, 80 inches, 90 inches, 100 inches, 110 inches, or 120 inches
 - Span must be between 50 feet and 145 feet inclusive
 - H must be between 21 feet and 29 feet inclusive.
- Verify minimum vertical clearance
 - If the structure is on the Extra Legal Load Network, other criteria might apply.
 - Check whether clearance should be adjusted for future additional paving, overlay, or widening.
- Verify the design conforms to additional limitations
 - Details of the structure and sign panels must conform to the typical Standard Plans for two post tubular.
 - Must not include CMS or EMS or other electronic sign panels.
 - Center of sign panel must be no more than 43' above the surrounding terrain.
 - Extra attachments are limited to:
 - Single-sheet sign-panels strapped directly to the post. Maximum area of the sign panels is the lesser of 50 square feet or 10% of the truss length times the panel depth D . The sign must be approximately centered on the post horizontally. The sign must be below the post.
- Use the table on Sheet S32 of the Standard Plans to choose the post size.



Caltrans User Guide to Standard Plans Section S – OVERHEAD SIGNS
– TUBULAR

Appendix C: Post Type Selection – Two Post

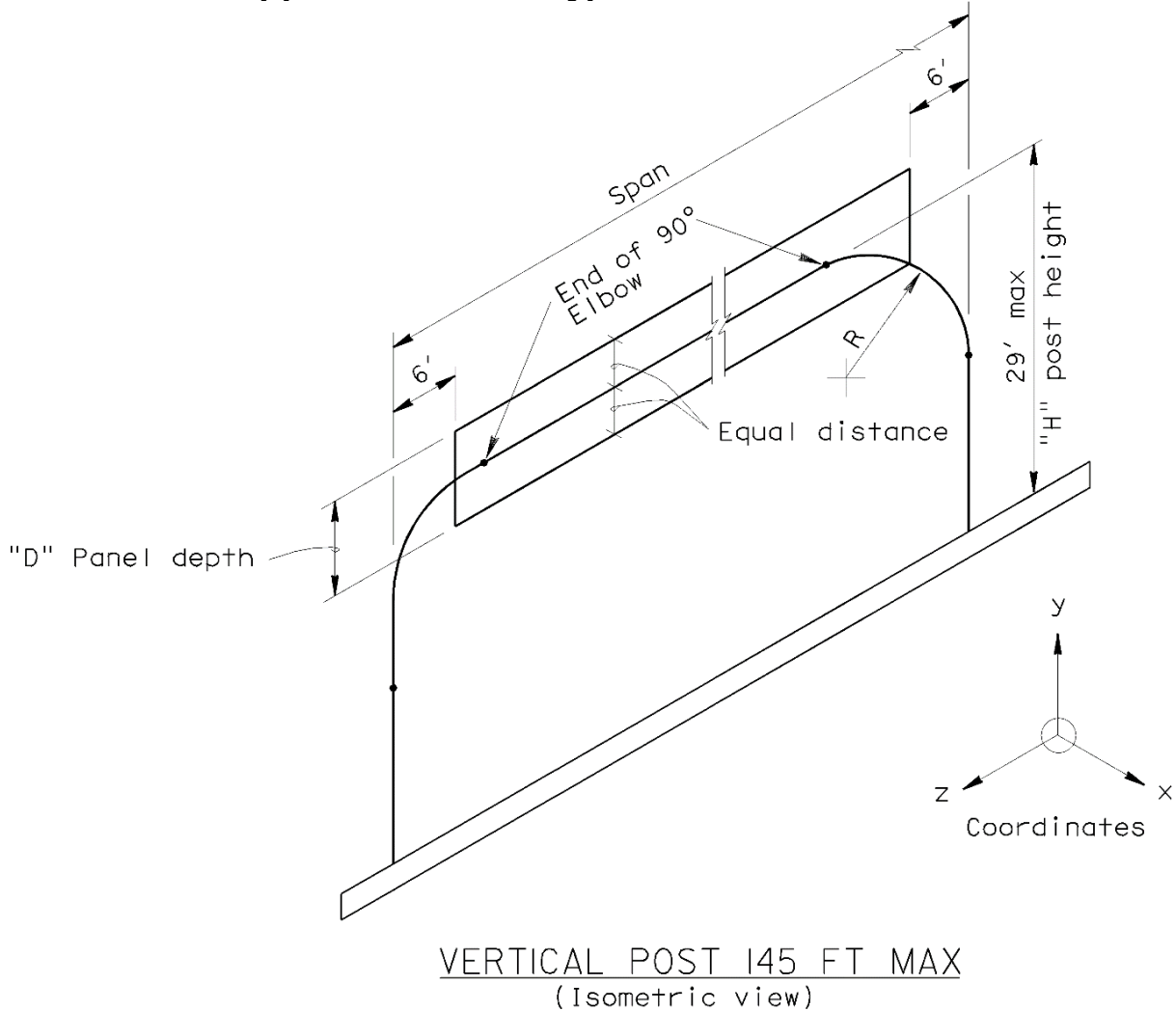


Figure 1: Explanation of Dimensions for Vertical Post



Caltrans User Guide to Standard Plans Section S – OVERHEAD SIGNS
– TUBULAR

Appendix C: Post Type Selection – Two Post

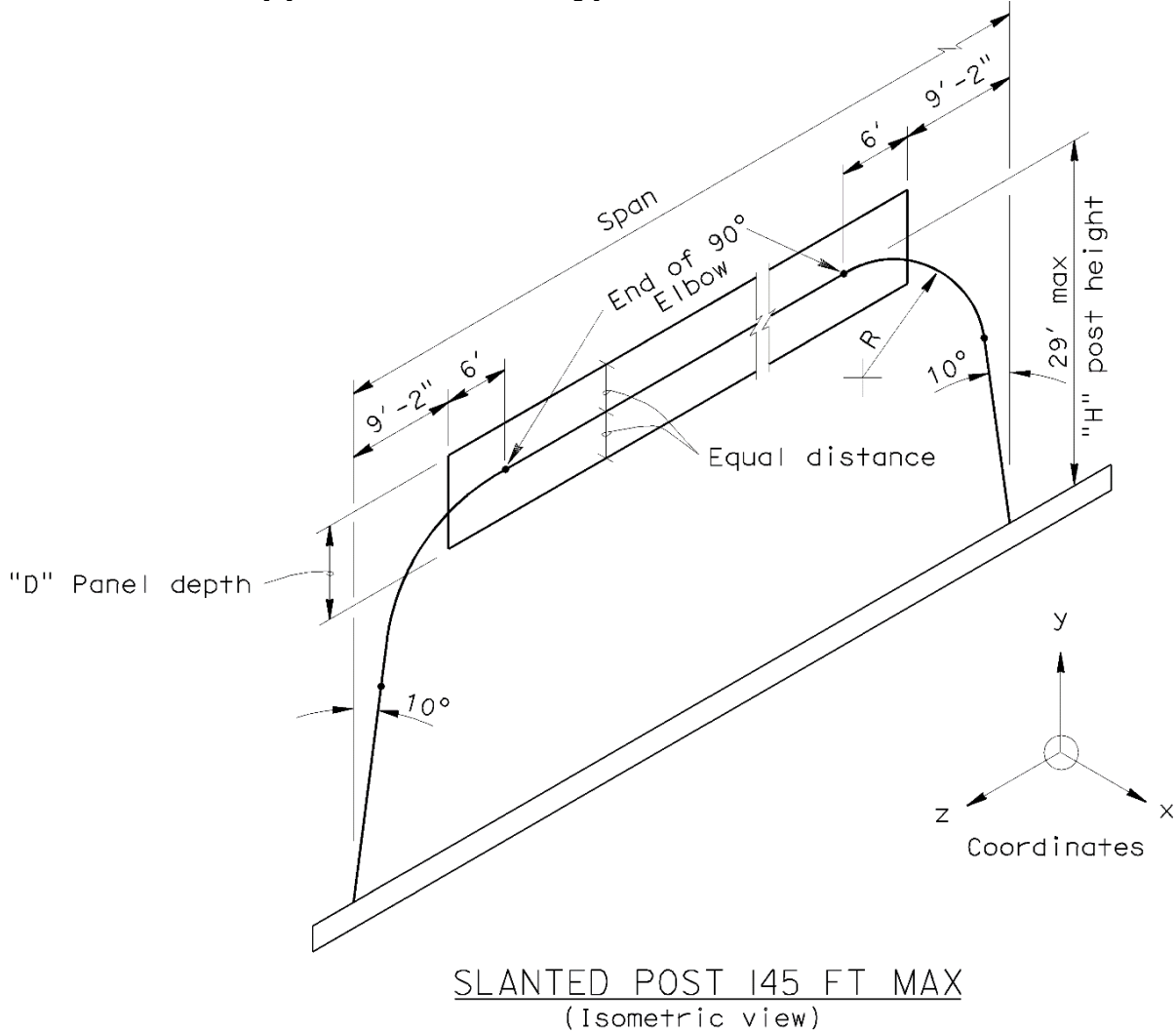


Figure 2: Explanation of Dimensions for Slanted Post