

CA Standard Sign Specifications Update - 1/13/12

CA Code	MUTCD Code	Title of Sign	Notes	Date
C2 (CA)	R11-2	ROAD (BRIDGE, RAMP, STREET) CLOSED	Reinstated per CA MUTCD 2012.	1/13/12
C17 (CA)	None	Road Work/Speed Limit	REVISED, new sizes added.	3/4/11
C19 (CA)	W20-3	ROAD (RAMP) CLOSED AHEAD	Reinstated per CA MUTCD 2012.	1/13/12
C23 (CA)	W20-1	ROAD (RAMP) WORK AHEAD	Reinstated per CA MUTCD 2012.	1/13/12
C43 (CA)	None	FRESH CONCRETE	REVISED, 36" size option added.	1/13/12
G7-1 (CA)	D3-1	Street Name	Reinstated per CA MUTCD 2012.	1/13/12
G7-2 (CA)	W16-8	Advance Street Name Plaque	Reinstated per CA MUTCD 2012.	1/13/12
G20-9 (CA)	None	HOV Advance Lane Assignment	REVISED, CARPOOL term changed to HOV.	1/13/12
G27-1 (CA)	None	Interstate Route Shield	Reinstated per CA MUTCD 2012.	1/13/12
G47 (CA)	None	NORTH	REVISED, first letter of carinal direction increased 10%.	1/13/12
G48 (CA)	None	SOUTH	REVISED, first letter of carinal direction increased 10%.	1/13/12
G49 (CA)	None	EAST	REVISED, first letter of carinal direction increased 10%.	1/13/12
G50 (CA)	None	WEST	REVISED, first letter of carinal direction increased 10%.	1/13/12
G66-61 (CA)	None	Sheriff	REVISED, first letter of carinal direction increased 10%.	1/13/12
G79 (CA)	D5-1	REST AREA (X MILE)	Reinstated per CA MUTCD 2012.	1/13/12
G79A (CA)	None	NEXT REST (X MILE)	Reinstated per CA MUTCD 2012.	1/13/12
G83-6 (CA)	None	HOV Advance Guide	NEW sign.	1/13/12
G85-12 (CA)	None	HOV Exit Direction	NEW sign.	1/13/12
G86-15 (CA)	None	HOV Supplemental Destination	NEW sign.	1/13/12
G87 (CA)	None	NEXT X EXITS	Reinstated per CA MUTCD 2012.	1/13/12
G92-1 (CA)	None	CARPOOL LANE ENTRANCE	REVISED, CARPOOL term changed to HOV	1/13/12
R3-1ABO	R3-1	Activated Blankout Sign (based on Federal MUTCD R3-1 sign)	REVISED, "(CA)" removed from CA sign code only.	1/13/12
R3-2 ABO	R3-2	Activated Blankout Sign (based on Federal MUTCD R3-2 sign)	REVISED, "(CA)" removed from CA sign code only.	1/13/12
R3-4 ABO	R3-4	Activated Blankout Sign (based on Federal MUTCD R3-4 sign)	REVISED, "(CA)" removed from CA sign code only.	1/13/12
R3-18 ABO	R3-8	Activated Blankout Sign (based on Federal MUTCD R3-18 sign)	REVISED, "(CA)" removed from CA sign code only.	1/13/12
R3-27 ABO	R3-27	Activated Blankout Sign (based on Federal MUTCD R3-27 sign)	NEW sign.	1/13/12
R5-1 ABO	R5-1	Activated Blankout Sign (based on Federal MUTCD R5-1 sign)	REVISED, "(CA)" removed from CA sign code only.	1/13/12
R5-1a ABO	R5-1a	Activated Blankout Sign (based on Federal MUTCD R5-1a sign)	NEW sign.	1/13/12
R26K (CA)	None	Tow-Away No Parking	REVISED, previous error in the legend fixed.	1/13/12
R26L (CA)	None	Tow-Away NO STOPPING ANY TIME	REVISED, previous error in the legend fixed.	1/13/12
R33B (CA)	None	No Left Turn Specific Hours EXCEPT BUSES AND HOV ___ +	REVISED, CARPOOL term changed to HOV.	1/13/12
R33C (CA)	None	No Left Turn WHEN METERED EXCEPT BUSES AND HOV ___ +	REVISED, CARPOOL term changed to HOV.	1/13/12
R47 (CA)	None	\$1000 FINE FOR LITTERING	REVISED, error in sign width.	1/13/12
R47A (CA)	None	\$1000 FINE FOR ANIMAL ABANDONMENT	REVISED, spec sheet updated.	1/13/12
R49 (CA)	None	NO PED CROSSING, USE CROSSWALK	Reinstated per CA MUTCD 2012.	1/13/12
R86-3 (CA)	None	LEFT LANE CARPOOLS ONLY Specific Hours/Days	REVISED, CARPOOL term changed to HOV.	1/13/12

CA Standard Sign Specifications Update - 1/13/12

CA Code	MUTCD Code	Title of Sign	Notes	Date
R86-4 (CA)	None	LEFT LANE HOV___+ ONLY 24 HOURS	NEW sign.	1/13/12
R87-3 (CA)	None	HOV___+ ONLY Specific Hours/Days	NEW sign.	1/13/12
R87-4 (CA)	None	Route Shield HOV___+ ONLY Specific Hours/Days	NEW sign.	1/13/12
R87-5 (CA)	None	Route Shield HOV___+ ONLY 24 HOURS	NEW sign.	1/13/12
R91-1 (CA)	None	LEFT (CENTER OR RIGHT) LANE HOV___+ ___ OR MORE ONLY WHEN METERED (24 HOURS)	REVISED, CARPOOL term changed to HOV.	1/13/12
R91-4 (CA)	None	(HOV) NO TRUCKS 3 AXLES OR MORE - NO VEHICLES WITH TRAILERS	NEW sign.	1/13/12
R93-2 (CA)	None	HOV___+ IS ___ OR MORE PERSONS PER VEHICLE	REVISED, CARPOOL term changed to HOV.	1/13/12
R94 LT (CA)	None	Mandatory/Optional HOV Movement Lane Control	REVISED, CARPOOL term changed to HOV.	1/13/12
R94 RT (CA)	None	Mandatory/Optional HOV Movement Lane Control	REVISED, CARPOOL term changed to HOV.	1/13/12
R107 (CA)	None	Tow-Away NO STOPPING 4 TO 6 PM	NEW sign.	1/13/12
R107 GRID (CA)	None	Tow-Away symbol GRID	NEW sign.	1/13/12
R108 (CA)	None	No Parking of Vehicles for Sale	NEW sign.	1/13/12
R109 (CA)	None	PAY AT STATION	NEW sign.	1/13/12
S32B (CA)	None	Adopt-A-Highway Recognition Panel	REVISED, note added regarding custom graphics.	1/13/12
SC19 (CA)	None	Slow For The Cone Zone	REVISED, 54"x36" size option added.	12/13/10
SG42-9 (CA)	None	Single-Exit Interchange (One Service) Mainline	REVISED, accomation of alternate messages.	1/13/12
SR4-1 (CA)	None	School Speed Limit Assembly C (CA)	NEW, reinstated combo sign based on old SR4 (CA).	1/13/12
SR50-1 (CA)	None	HOV VIOLATION \$___ MINIMUM FINE	REVISED, CARPOOL term changed to HOV.	1/13/12
SR50-2 (CA)	None	HOV VIOLATION \$___ MINIMUM FINE	REVISED, CARPOOL term changed to HOV.	1/13/12
SR60-4 (CA)	None	RIGHT LANE BUSES TAXIS ONLY 24 HOURS	REVISED, 24 HOURS option added.	1/13/12
SR60-5 (CA)	None	RIGHT LANE BUSES ONLY 24 HOURS	REVISED, 24 HOURS option added.	1/13/12
SR60-6 (CA)	None	RIGHT LANE TRAINS RIGHT TURNS ONLY 24 HOURS	REVISED, 24 HOURS option added.	1/13/12
SR60-9 (CA)	None	RIGHT LANE BUSES TAXIS ONLY 24 HOURS w/Downward Arrow	REVISED, 24 HOURS option added.	1/13/12
SR61 (CA)	None	MINOR CRASH NO INJURIES – SAFELY MOVE VEHICLES FROM TRAVEL LANES	NEW sign.	1/13/12
SR62 (CA)	None	NO IDLING COMMERCIAL VEHICLES AND ALL BUSES	REVISED, sign code fixed from TOPD 10-1 effective 7/30/10.	1/13/12
SR63 (CA)	None	NO IDLING All Buses and Commercial Vehicles	REVISED, sign code fixed from TOPD 10-1 effective 7/30/10.	1/13/12
SR63 GRID (CA)	None	NO IDLING Vehicles GRID	REVISED, sign code fixed from TOPD 10-1 effective 7/30/10.	1/13/12
SW24-1 (CA)	None	School Crosswalk Warning Assembly A (CA)	NEW, reinstated combo sign based on old SW24 (CA).	1/13/12
SW24-2 (CA)	None	School Crosswalk Warning Assembly B (CA)	NEW sign.	1/13/12
SW24-3 (CA)	None	School Advance Warning Assembly D (CA)	NEW sign.	1/13/12

CA Standard Sign Specifications Update - 1/13/12

CA Code	MUTCD Code	Title of Sign	Notes	Date
SW54C (CA)	None	(HOV) Lane Selection (Left or Right and Vertical Arrow)	REVISED, CARPOOL term changed to HOV.	1/13/12
W4-1 (CA)	None	Combination Turn/Advisory Speed	Reinstated per CA MUTCD 2012.	1/13/12
W4-10 (CA)	None	Combination Turn/Advisory Speed	Reinstated per CA MUTCD 2012.	1/13/12
W4-14 (CA)	None	Combination Turn/Advisory Speed	Reinstated per CA MUTCD 2012.	1/13/12
W4-18 (CA)	None	Combination Turn/Advisory Speed	Reinstated per CA MUTCD 2012.	1/13/12
W4-22 (CA)	None	Combination Turn/Advisory Speed	Reinstated per CA MUTCD 2012.	1/13/12
W74 (CA)	W4-7	THRU TRAFFIC MERGE LEFT (RIGHT)	Reinstated per CA MUTCD 2012.	1/13/12
Type N (CA)	OM1-3	Object Marker	Reinstated per CA MUTCD 2012.	1/13/12
Type P (CA)	OM-3L&R	Object Marker	Reinstated per CA MUTCD 2012.	1/13/12

CA Standard Sign Specifications Update - 1/13/12

CA Code	MUTCD Code	Title of Sign	Notes	Date
G83-3 (CA)	None	HOV Advance Guide	DELETED sign.	1/13/12
G84-1 (CA)	None	HOV EXIT with Arrow	DELETED sign.	1/13/12
G85-7 (CA)	None	HOV Exit Direction	DELETED sign.	1/13/12
G85-8 (CA)	None	HOV Exit Direction	DELETED sign.	1/13/12
G85-9 (CA)	None	HOV Exit Direction	DELETED sign.	1/13/12
G86-8 (CA)	None	HOV Supplemental Destination	DELETED sign.	1/13/12
G86-9 (CA)	None	HOV Supplemental Destination	DELETED sign.	1/13/12
G86-10 (CA)	None	HOV Supplemental Destination	DELETED sign.	1/13/12
G200-81 (CA)	None	Wildlife Viewing	DELETED sign.	1/13/12
G200-81B (CA)	None	Wildlife Viewing Symbol Grid	DELETED sign.	1/13/12
R34-2(CA)	R3-18		DELETED sign.	1/13/12
R35(CA)	R14-1		DELETED sign.	1/13/12
R50 (CA)	None	TURNOUT 1/4 MILE	DELETED sign.	1/13/12
R51 (CA)	None	TURNOUT	DELETED sign.	1/13/12
R52 (CA)	None	SLOWER TRAFFIC USE TURNOUTS	DELETED sign.	1/13/12
R52A (CA)	None	SLOWER TRAFFIC USE TURNOUTS TO ALLOW PASSING	DELETED sign.	1/13/12
R82-1 (CA)	None	CARPOOL LANE AHEAD ___ MILE	DELETED sign.	1/13/12
R84-1 (CA)	None	END CARPOOL LANE	DELETED sign.	1/13/12
R84-2 (CA)	None	CARPOOL LANE ENDS ___ MILE	DELETED sign.	1/13/12
R86 (CA)	None	LEFT LANE CARPOOLS ONLY Specific Hours/Days	DELETED sign.	1/13/12
R86-2 (CA)	None	LEFT LANE CARPOOLS ONLY	DELETED sign.	1/13/12
R87-1 (CA)	None	CARPOOLS ONLY ___ OR MORE PERSONS PER VEHICLE	DELETED sign.	1/13/12
R87-2 (CA)	None	Route Shield CARPOOLS ONLY ___ OR MORE PERSONS PER VEHICLE	DELETED sign.	1/13/12
R91 (CA)	None	LEFT (RIGHT OR CENTER) CARPOOLS ___ OR MORE ONLY Specific Hours/Days	DELETED sign.	1/13/12
R91-2 (CA)	None	(HOV) NO TRUCKS OVER 5 TONS OR VEHICLES WITH TRAILERS	DELETED sign.	1/13/12
R91-3 (CA)	None	LEFT (RIGHT OR CENTER) CARPOOLS ___ OR MORE ONLY	DELETED sign.	1/13/12
R92 (CA)	None	BUSES ONLY CARPOOLS OK Specific Hours/Days	DELETED sign.	1/13/12
R106 (CA)	None	LOOK TRAINS w/arrow	DELETED sign.	1/13/12
S16-8 (CA)	None	El Camino Real Adopt-A-Highway	DELETED sign.	1/13/12
SR5-1 (CA)	None	KEEP RIGHT EXCEPT TO PASS	DELETED sign.	1/13/12
SW28(CA)	None		DELETED sign.	1/13/12

CA Standard Sign Specifications Update - 1/13/12

CA Code	MUTCD Code	Title of Sign	Notes	Date
SW45 (CA)	None	GROOVED PAVEMENT	DELETED sign.	1/13/12
SW54A (CA)	None	CARPOOL IS 2 OR MORE PER VEHICLE	DELETED sign.	1/13/12
SW54B (CA)	None	CARPOOL IS 2 OR MORE PER VEHICLE Specific Hours/Days	DELETED sign.	1/13/12
W43 (CA)	None	ICY	DELETED sign.	1/13/12
W49 (CA)	None	DRAW BRIDGE	DELETED sign.	1/13/12
W50 (CA)	None	ROCK SLIDE AREA	DELETED sign.	1/13/12
W55B (CA)	None	SUBJECT TO FLOODING	DELETED sign.	1/13/12
W66B (CA)	None	Double Diagonal Arrows	DELETED sign.	1/13/12
W75-1 (CA)	None	(HOV) LANE ENDS MERGE LEFT (RIGHT)	DELETED sign.	1/13/12



Note:

Also available with message
**BRIDGE CLOSED, STREET CLOSED
 RAMP CLOSED.**

ALL DIMENSIONS ARE IN INCHES

C2 SUFFIX	SIZE	BORDER WIDTH	MARGIN WIDTH	LETTER SIZE, SERIES & STROKE WIDTH					COR. RAD.
				LINE 1	LINE 2	LINE 3	LINE 4	LINE 5	
-1.1	36x24	5/8	3/8	6D-1.08	6D-.108				1 1/2
-2.1	48x30	3/4	1/2	8D-1.44	8D-1.44				1-7/8

C2 SUFFIX	SIZE	DIMENSIONS											
		A	B	C	D	E	F	G	H	I	J	K	L
-1.1	36x24	3	18	16	4	4	29						
-2.1	48x30	3	24	16	4	5	--						

White BACKGROUND WITH Black BORDER & SYMBOL REFLECTIVE BACKGROUND

3/8" DIA. HOLES •

APPROVED:

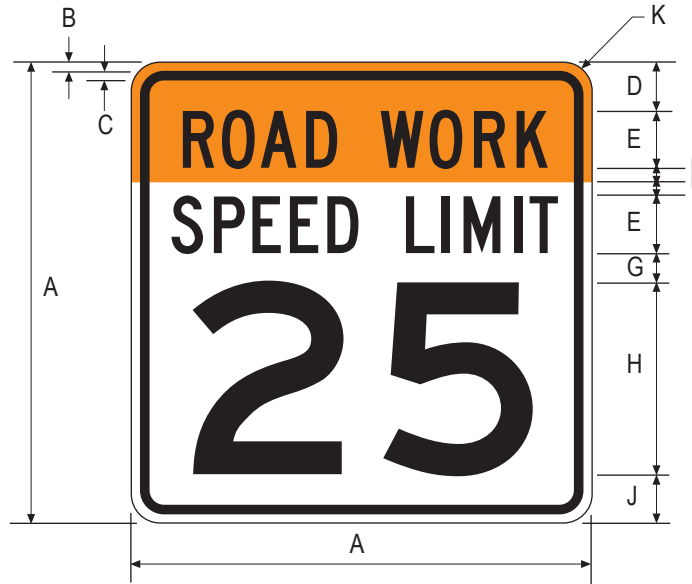
acc. Top
 TRAFFIC ENGINEER

4-13-71
 DATE

CR 12/28/78
 REVISION

9/16/05

STATE OF CALIFORNIA - DEPARTMENT OF TRANSPORTATION

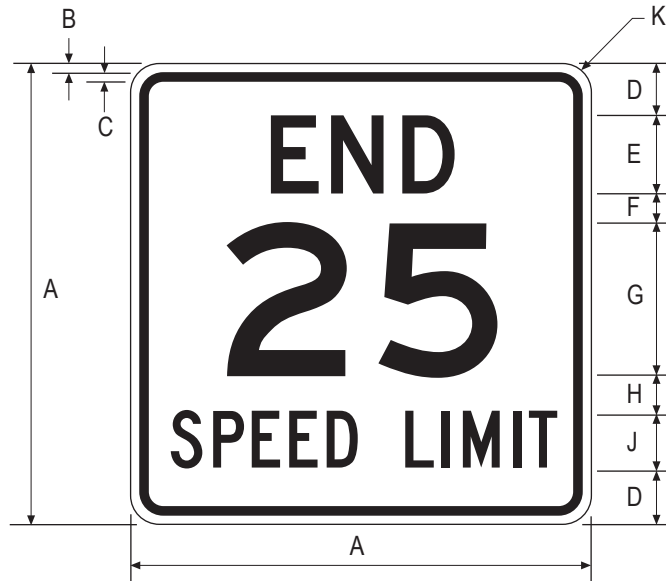


C17 (CA)

ENGLISH UNITS

A	B	C	D	E	F	G	H	J	K
24	.375	.625	2.5	3C	.75	1.5	10D	2.5	1.5
36	.625	.875	3.75	4.5C	1.5	2.75	13.3D	4.25	2.25
48	.75	1.25	5	6C	2.5	4	16D	6	3

COLORS: BORDER & LEGEND - BLACK
BACKGROUND - ORANGE (RETROREFLECTIVE) & WHITE (RETROREFLECTIVE)



Optional Backside for C17 (CA)

ENGLISH UNITS

A	B	C	D	E	F	G	H	J	K
24	.375	.625	2.75	4D	1.5	8D	2	3C	1.5
36	.625	.875	4	6D	2.75	12D	2.75	4.5C	2.25
48	.75	1.25	5.5	8D	3.5	16D	3.5	6C	3

COLORS: BORDER & LEGEND - BLACK
BACKGROUND - WHITE (RETROREFLECTIVE)

NOTE: When using back-to-back and one side is not applicable, that side shall be covered.



MESSAGE MAY READ:
RAMP CLOSED AHEAD

ALL DIMENSIONS ARE IN INCHES

C19 SUFFIX	SIZE	BORDER WIDTH	MARGIN WIDTH	LETTER SIZE, SERIES & STROKE WIDTH					COR. RAD.
				LINE 1	LINE 2	LINE 3	LINE 4	LINE 5	
-1.1	36x36	7/8	5/8	5D-.90	5D-.90	5D-.90			2 1/4
-2.1	48x48	1 1/4	3/4	7D-1.26	7D-1.26	7D-1.26			3

C19 SUFFIX	SIZE	DIMENSIONS											
		A	B	C	D	E	F	G	H	I	J	K	L
-1.1	36x36	18	16	4	2 1/2								
-2.1	48x48	24	16	5	1 1/2								

Orange BACKGROUND WITH Black BORDER & SYMBOL REFLECTIVE BACKGROUND

3/8" DIA HOLES •

Overlay plate available with 1500 ft.,
1000 ft., or 500 ft., see C29

APPROVED: *[Signature]* 4-13-71 *[Signature]* 4/16/78
TRAFFIC ENGINEER DATA DIVISION



Alternate message:
Line 1 - RAMP

ALL DIMENSIONS ARE IN INCHES

C23 SUFFIX	SIZE	BORDER WIDTH	MARGIN WIDTH	LETTER SIZE, SERIES & STROKE WIDTH					COR. RAD.
				LINE 1	LINE 2	LINE 3	LINE 4	LINE 5	
-1	30x30	3/4	1/2	5C-.80	5C-.80	5C-.80			1-7/8
-2	48x48	1 1/4	3/4	8C-1.28	8C-1.28	8C-1.28			3

C23 SUFFIX	SIZE	DIMENSIONS											
		A	B	C	D	E	F	G	H	I	J	K	L
-1	30x30	15	16	2 1/2	3 1/4	1-3/4	19						
-2	48x48	24	16	4	5-13/16	2-13/16	30-3/8						

Orange BACKGROUND WITH Black BORDER & SYMBOL REFLECTIVE BACKGROUND

3/8" DIA. HOLES ●

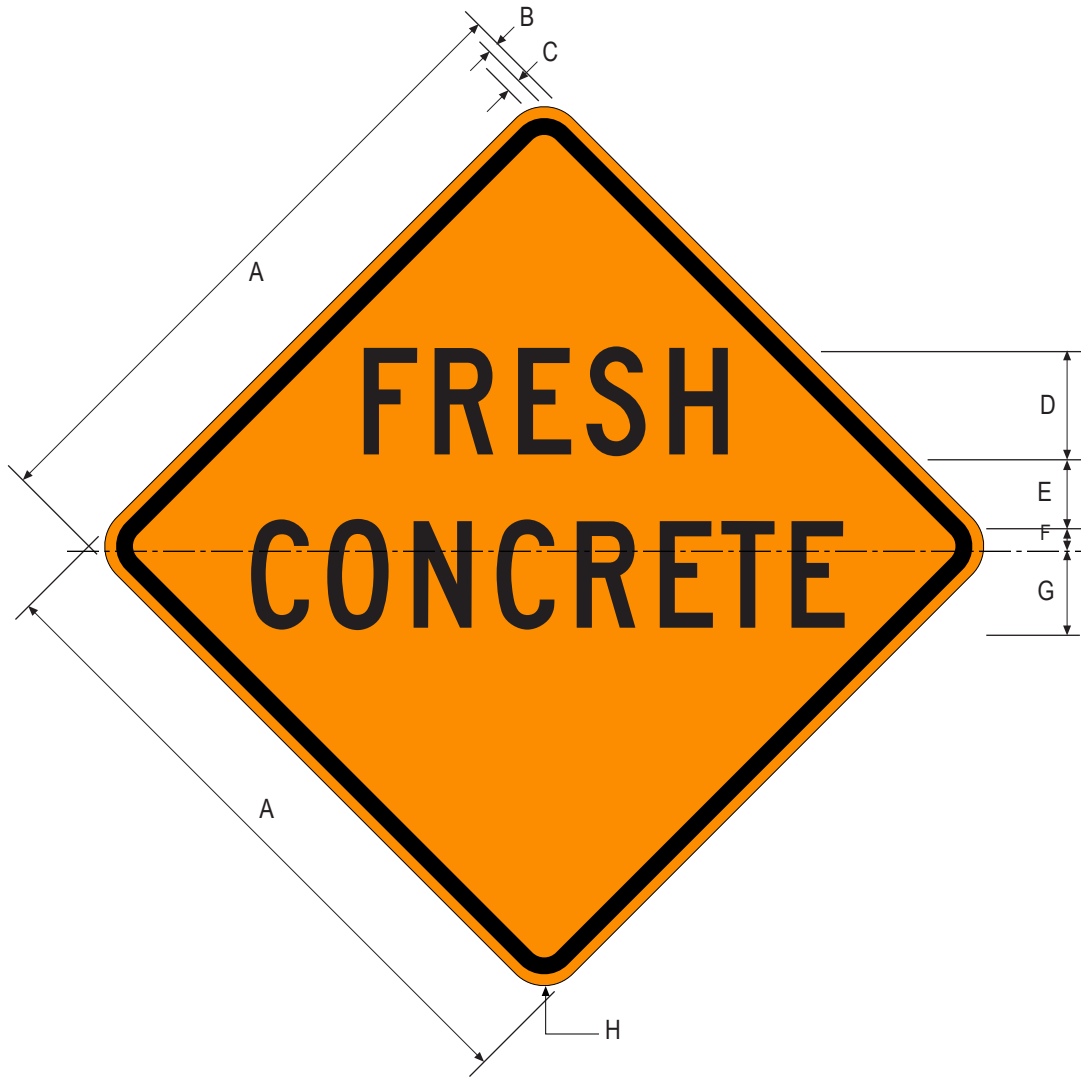
APPROVED:

[Signature]
TRAFFIC ENGINEER

4-13-71
DATE

[Signature] 7/30/82
REVISION

STATE OF CALIFORNIA - DEPARTMENT OF TRANSPORTATION



C43 (CA)

ENGLISH UNITS

A	B	C	D	E	F	G	H
48	.75	1.25	8C	5	1.5	6.5	3
36	.625	.875	6C	4	.5	5.5	2.25

COLORS: BORDER & LEGEND - BLACK
BACKGROUND - ORANGE (RETROREFLECTIVE)



SIGN SIZE (Inches)	DIMENSIONS (Inches)					
	A	B	C	D	E	F
Var x 6	6	-	1	1	4Caps	1
Var x 18	18	1	3	6	6&4-1/2E(M)	7-1/2
Var x 24	24	1-1/4	3	8	8&6E(M)	10

SIGN SIZE (mm)	DIMENSIONS (Millimeters)					
	A	B	C	D	E	F
Var x 152	152	-	25	26	100Caps	26
Var x 457	457	25	76	152	150&113E(M)	192
Var x 610	610	32	76	203	200&150E(M)	257

COLORS
BORDER & LEGEND - WHITE (REFLECTIVE)
BACKGROUND - GREEN (REFLECTIVE)

- THE POLICY FOR INTENDED USAGE OF THIS SIGN IS SHOWN ON REVERSE SIDE -

Gerry Kreis
 CHIEF, OFFICE OF SIGNS AND DELINEATION

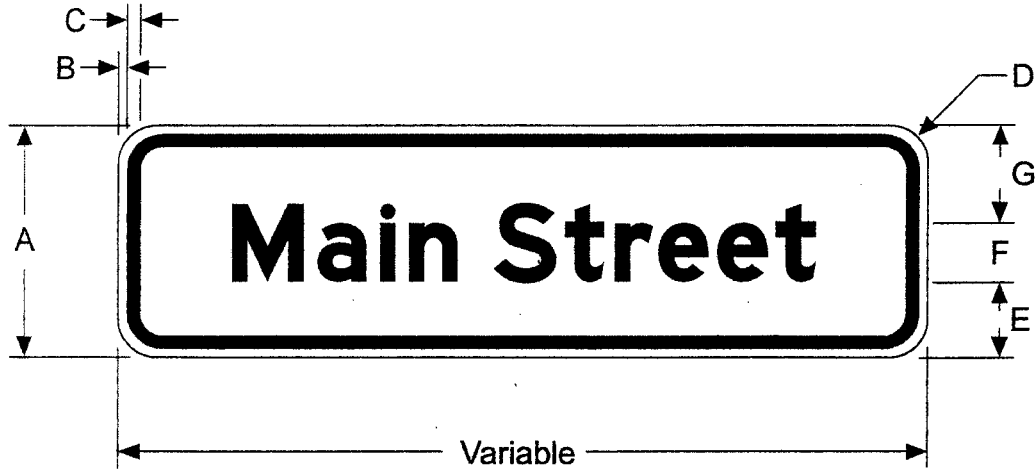
8/1/03
 DATE

REVISION

REVISION

MUTCD NUMBER D3

CODE G7-2



SIGN SIZE (Inches)	DIMENSIONS (Inches)						
	A	B	C	D	E	F	G
Var x 12	12	1/2	3/4	1-7/8	4	4Caps	4
Var x 18	18	5/8	7/8	2-1/4	6	6&4-1/2E(M)	7-1/2
Var x 24	24	3/4	1-1/4	3	8	8&6E(M)	10

SIGN SIZE (mm)	DIMENSIONS (Millimeters)						
	A	B	C	D	E	F	G
Var x 305	305	13	19	48	102	100Caps	103
Var x 457	457	16	22	57	152	150&113E(M)	192
Var x 610	610	19	32	76	203	200&150E(M)	257

COLORS
BORDER & LEGEND - BLACK (NON-REFLECTIVE)
BACKGROUND - YELLOW (REFLECTIVE)

- THE POLICY FOR INTENDED USAGE OF THIS SIGN IS SHOWN ON REVERSE SIDE -

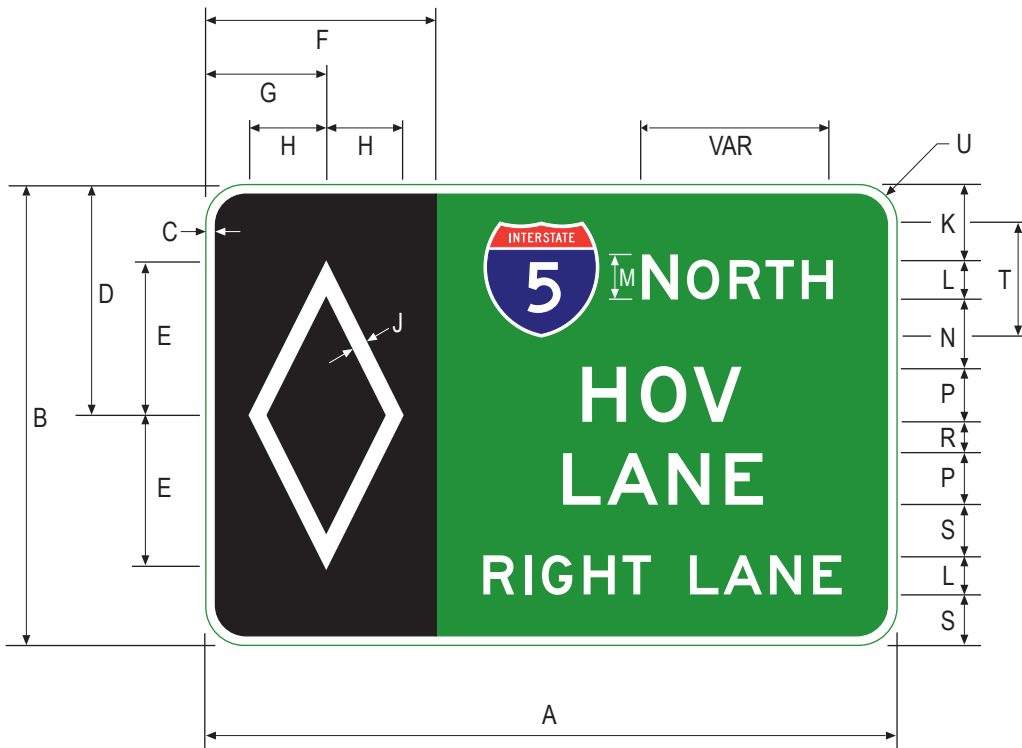
Derry Gies
 CHIEF, OFFICE OF SIGNS AND DELINEATION

8/1/03
 DATE

REVISION

REVISION

STATE OF CALIFORNIA - DEPARTMENT OF TRANSPORTATION



NOTE: See Route Shield sign specifications for details.

G20-9 (CA)

ENGLISH UNITS

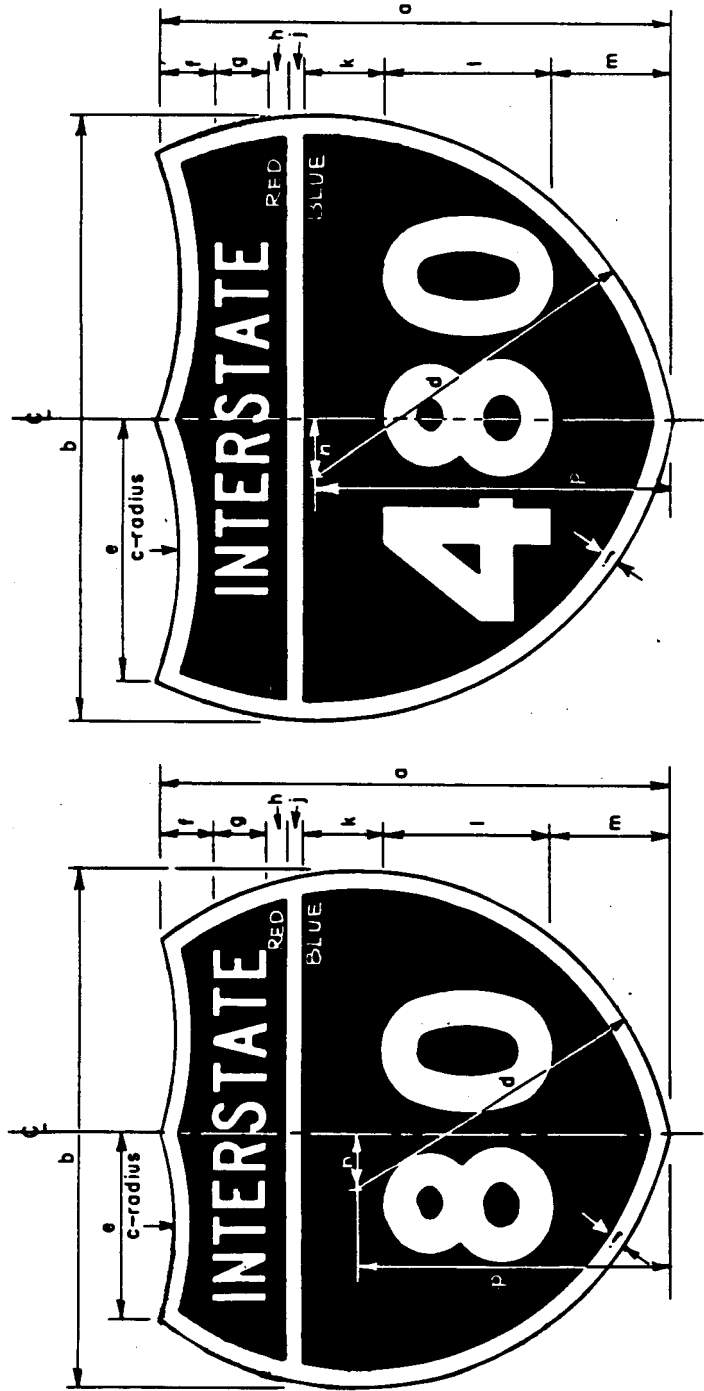
A	B	C	D	E	F	G	H	J	K	L	M	N	P
108	70	1.5	35	24	36	18.75	12	3	11	6E	7E	10	8E
108	72	1.5	36	24	36	18.75	12	3	12	6E	7E	11	8E

R	S	T	U
5	8	18	9
5	8	18	9

COLORS: BORDER, LEGEND & DIAMOND - WHITE (RETROREFLECTIVE)
 DIAMOND BACKGROUND - BLACK
 BACKGROUND - GREEN (RETROREFLECTIVE)

INTERSTATE SHIELDS ON GUIDE SIGNS

CODE G27-1



To be used for some AGA numerals:

- 3 digit 10" num. - reduce num. ht. to 8"
- 3 digit 12" num. - use the 38"x 45" shield.
- 3 digit 15" num. - reduce num. ht. to 12"

** 1-5/16" for cut-out borders.

* 1" for cut-out borders.

a	4" Numerals		6" Num's		8" Num's		10" Numerals		12" Num's		15" Numerals		18" Numerals	
	2 Digits	3 Digits	3 Digits	2 Digits	2 Digits	3 Digits	2 Digits	3 Digits	3 Digits	2 Digits	3 Digits	2 Digits	3 Digits	3 Digits
b	12	14	18	18	18	24	25	36	36	36	38	48	51	
c	14	16	21	21	21	24	30	36	36	36	45	48	58	
d	8-1/8	7-1/8	13-1/8	13-1/8	13-1/8	15	17-1/2	22-1/2	22-1/2	22-1/2	26-1/4	30	34	
e	6	6-7/16	9-3/16	12-9/16	12-9/16	14-7/8	16-3/4	22-5/16	22-5/16	22-5/16	25-1/4	29-3/4	33	
f	1-3/8	1-3/8	1-7/8	9-3/16	9-3/16	8-5/8	12-3/4	12-15/16	12-15/16	12-15/16	19	17-1/4	23-3/8	
g	1D	1D	1-7/8C	1-7/8C	1-7/8C	2D	2D	3C	3C	3C	3-7/16	4-3/4	5-1/4	
h	3/8	3/8	5/8	5/8	5/8	7/8	13/16	1-5/16	1-5/16	1-5/16	1-5/16	2	1-3/4	
j	1/2 *	1/2 *	9/16 **	9/16 **	9/16 **	3/4 **	3/4 **	1-1/8 **	1-1/8 **	1-1/8 **	1-1/8 **	1-1/2 **	1-1/2 **	
k	1-1/4	1-1/2	2-3/4	2-3/4	1	2-9/16	2-9/16	3-1/8	3-1/8	3-1/8	3-1/8	4	4	
l	4D	4D	6D	6D	8D	10D	10D	12D	12D	15D	15D	18D	18D	
m	3-1/2	4-3/4	4-5/16	4-5/16	4-1/16	5-1/2	6-1/4	9	10-5/8	10-5/8	12-3/4	15-1/2	15-1/2	
n	1-1/4	1	2-1/16	2-1/16	2-1/16	2-7/8	1-3/4	4-5/16	4-5/16	4-5/16	2-3/4	5-3/4	4	
p	8-3/16	8-15/16	12-7/16	12-7/16	12-7/16	14-5/8	16-11/16	21-15/16	21-15/16	21-15/16	25-1/8	29-1/4	32-3/4	

APPROVED:

ACCT
TRAFFIC ENGINEER

11/15/71
DATE

8/27/93
REVISION

STATE OF CALIFORNIA - DEPARTMENT OF TRANSPORTATION



G47 (CA) *

ENGLISH UNITS

A	B	C	D	E	F	G	H
21	9	.375	.375	1.75	5.5C	5C	1.5
26	12	.375	.5	2.5	7C	6C	1.5
30	15	.5	.75	3.5	8C	7C	1.875

COLORS: BORDER & LEGEND - BLACK
BACKGROUND - WHITE (RETROREFLECTIVE)



G47 (CA) *

ENGLISH UNITS

A	B	C	D	E	F	G
21	9	.375	1.75	5.5C	5C	1.5
26	12	.375	2.5	7C	6C	1.5
30	15	.5	3.5	8C	7C	1.875

COLORS: BORDER & LEGEND - WHITE (RETROREFLECTIVE)
BACKGROUND - BLUE OR GREEN (RETROREFLECTIVE)

*NOTE: Same dimensions apply to G47 (CA) through G50 (CA) signs.



G47 (CA)



G48 (CA)

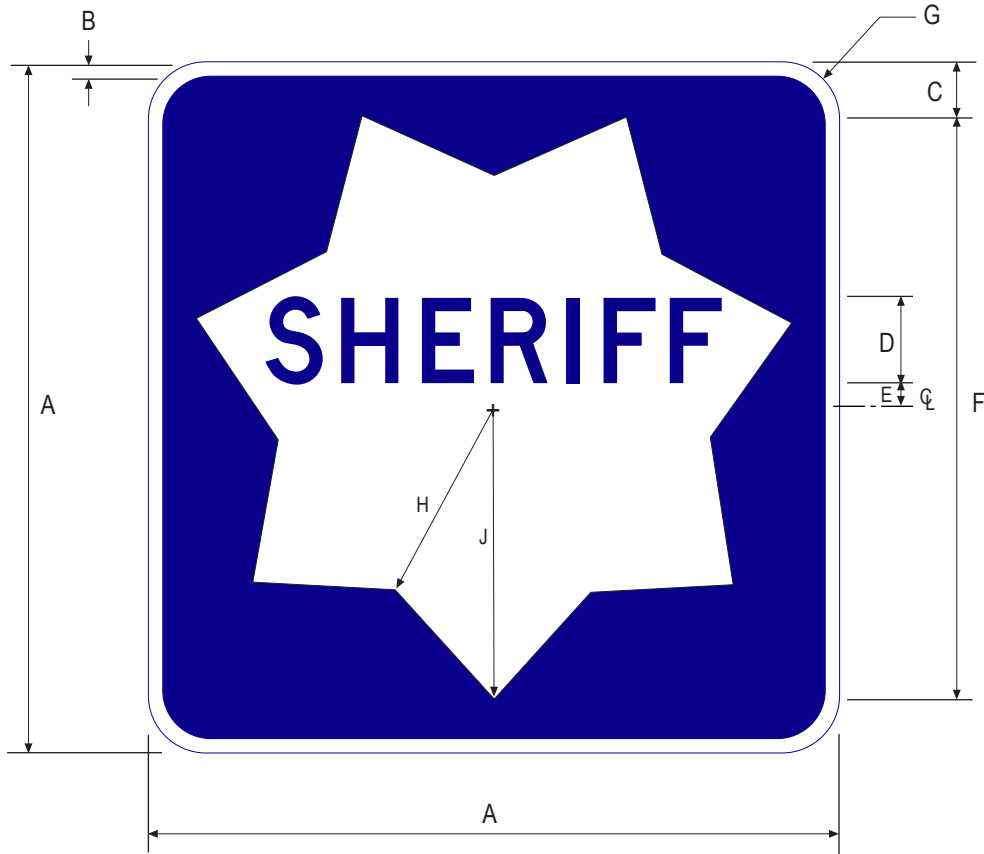


G49 (CA)



G50 (CA)

STATE OF CALIFORNIA - DEPARTMENT OF TRANSPORTATION

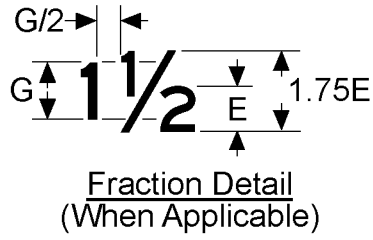


G66-61 (CA)

ENGLISH UNITS

A	B	C	D	E	F	G	H	J
18	.5	1.5	2.25D	.5	15	1.5	5.625	7.875
24	.5	2	3D	.625	20	1.5	7.5	10.5
30	.75	2.5	4D	.875	25	1.875	9.375	13.125

**COLORS: BORDER & SYMBOL - WHITE (RETROREFLECTIVE)
BACKGROUND & LEGEND - BLUE (RETROREFLECTIVE)**



Alternate Message, Line 1: VISTA POINT.

SIGN SIZE (Inches)	DIMENSIONS (Inches)							
	A	B	C	D	E	F	G	H
72 x 30	72	30	1	6-1/2	5E	6-1/2	6E	3
144 x 60	144	60	2	13	10E	13	12E	6

SIGN SIZE (mm)	DIMENSIONS (Millimeters)							
	A	B	C	D	E	F	G	H
1829 x 762	1829	762	25	165	125E	165	150E	76
3658 x 1524	3658	1524	51	330	250E	330	300E	152

COLORS
BORDER & LEGEND - WHITE (REFLECTIVE)
BACKGROUND - BLUE (REFLECTIVE)

- THE POLICY FOR INTENDED USAGE OF THIS SIGN IS SHOWN ON REVERSE SIDE -

Gerry Keys
 CHIEF, OFFICE OF SIGNS AND DELINEATION

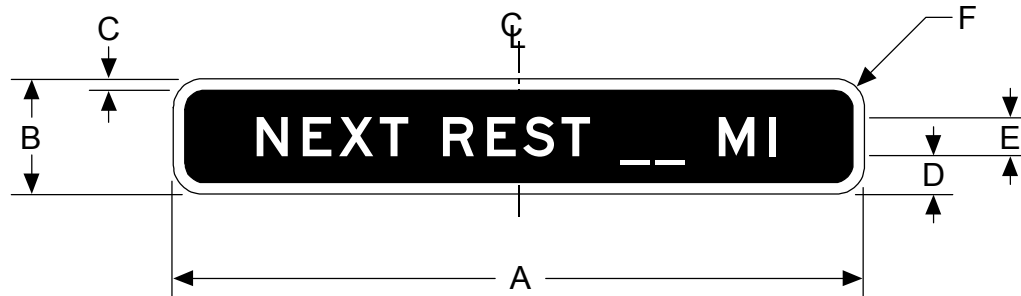
4/15/05
 DATE

REVISION

REVISION

MUTCD NUMBER None

CODE G79A



SIGN SIZE (Inches)	DIMENSIONS (Inches)					
	A	B	C	D	E	F
72 x 12	72	12	1	4	4E	3
144 x 24	144	24	2	8	8E	6

SIGN SIZE (mm)	DIMENSIONS (Millimeters)					
	A	B	C	D	E	F
1829 x 305	1829	305	25	102	100E	76
3658 x 610	3658	610	51	203	200E	152

COLORS
BORDER & LEGEND - WHITE (REFLECTIVE)
BACKGROUND - BLUE (REFLECTIVE)

- THE POLICY FOR INTENDED USAGE OF THIS SIGN IS SHOWN ON REVERSE SIDE -

Gerry Kreis
 CHIEF, OFFICE OF SIGNS AND DELINEATION

4/15/05
 DATE

REVISION

REVISION

STATE OF CALIFORNIA - DEPARTMENT OF TRANSPORTATION



NOTE: See W61D (CA) sign specification for lane drop panel details.

G83-6 (CA)

ENGLISH UNITS

A	B	C	D	E	F	G	H	J	K	L	M	N	P	Q
VAR	110	2	6	28	4	9	14	7	13	12E	12.875	13.3&10E(M)	20	12

TOP LEFT

COLORS: SYMBOL - WHITE (RETROREFLECTIVE)
BACKGROUND - BLACK

TOP RIGHT

COLORS: BORDER & LEGEND - BLACK
BACKGROUND - WHITE (RETROREFLECTIVE)

BOTTOM

COLORS: BACKGROUND - GREEN (RETROREFLECTIVE)
LEGEND - WHITE (RETROREFLECTIVE)
PANEL BACKGROUND - YELLOW (RETROREFLECTIVE)
PANEL LEGEND - BLACK

STATE OF CALIFORNIA - DEPARTMENT OF TRANSPORTATION



NOTES:

1. See W61C (CA) sign specification for lane drop panel details.
2. See Standard Arrows for Directional Signs in Appendix. Use 1 line diagonal, 13.3UC arrow at 135 degrees.

G85-12 (CA)

ENGLISH UNITS

A	B	C	D	E	F	G	H	J	K	L	M	N	P	Q	R	S
VAR	110	2	6	28	4	9	14	7	13	12E	12.875	13.3&10E(M)	20	16.625	14.5	12

TOP LEFT

COLORS: SYMBOL - WHITE (RETROREFLECTIVE)
BACKGROUND - BLACK

TOP RIGHT

COLORS: BORDER & LEGEND - BLACK
BACKGROUND - WHITE (RETROREFLECTIVE)

BOTTOM

COLORS: BACKGROUND - GREEN (RETROREFLECTIVE)
LEGEND - WHITE (RETROREFLECTIVE)
PANEL BACKGROUND - YELLOW (RETROREFLECTIVE)
PANEL LEGEND - BLACK

STATE OF CALIFORNIA - DEPARTMENT OF TRANSPORTATION



G86-15 (CA)

ENGLISH UNITS

A	B	C	D	E	F	G	H	J	K	L	M	N	P	Q
VAR	110	2	6	28	4	9	14	7	13	12E	16.875	13.3&10E(M)	13	12

TOP LEFT
 COLORS: SYMBOL - WHITE (RETROREFLECTIVE)
 BACKGROUND - BLACK

TOP RIGHT
 COLORS: BORDER & LEGEND - BLACK
 BACKGROUND - WHITE (RETROREFLECTIVE)

BOTTOM
 COLORS: BACKGROUND - GREEN (RETROREFLECTIVE)
 LEGEND - WHITE (RETROREFLECTIVE)



ALL DIMENSIONS ARE IN INCHES

<u>G87</u> SUFFIX	SIZE	BORDER WIDTH	MARGIN WIDTH	LETTER SIZE, SERIES & STROKE WIDTH					COR. RAD.
				LINE 1	LINE 2	LINE 3	LINE 4	LINE 5	
-1	Varx54	2	-	13.3&10	10 CAP				6

<u>G87</u> SUFFIX	SIZE	DIMENSIONS											
		A	B	C	D	E	F	G	H	I	J	K	L
-1	Varx54	11	11	12									

Green BACKGROUND WITH White BORDER & SYMBOL Reflective message and border.

Refer to standard post spacing table.

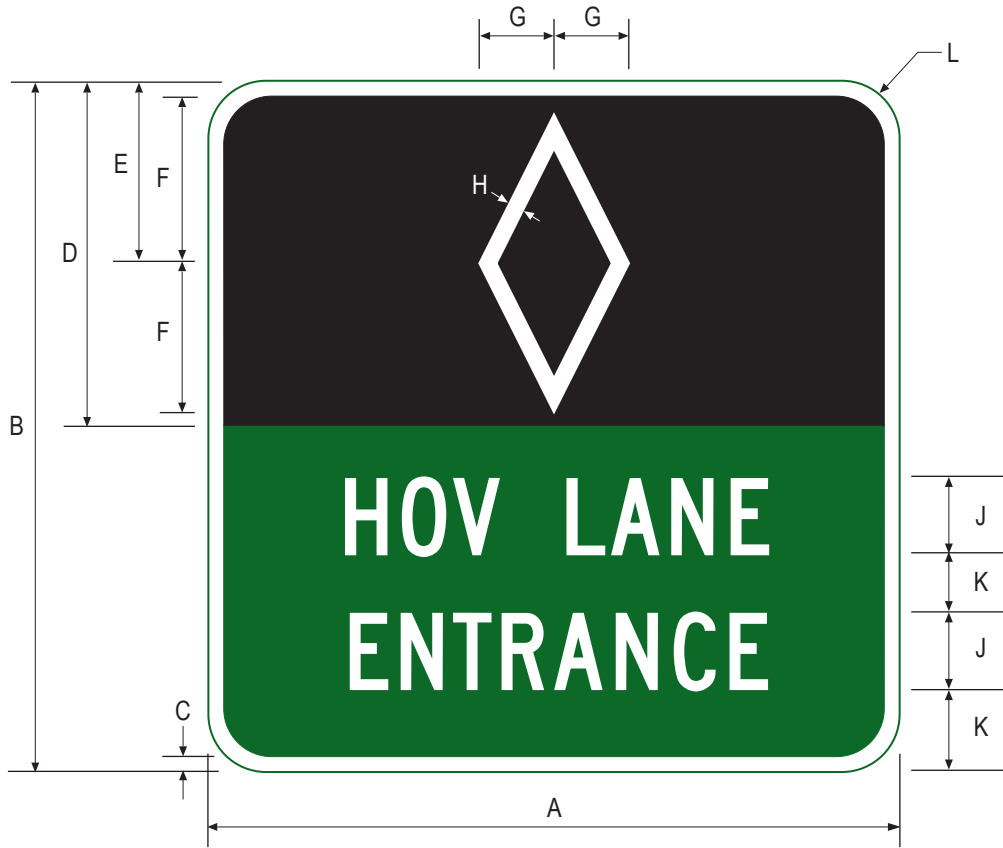
APPROVED:

acc
TRAFFIC ENGINEER

11/15/71
DATE

REVISION

STATE OF CALIFORNIA - DEPARTMENT OF TRANSPORTATION



G92-1 (CA)

ENGLISH UNITS

A	B	C	D	E	F	G	H	J	K	L
36	36	.75	18	9.5	7.5	3.75	1.125	3	4C	3
48	42	.75	18	9.375	7.5	3.75	1.125	4	5C	3

COLORS: BORDER, LEGEND & DIAMOND - WHITE (RETROREFLECTIVE)
 DIAMOND BACKGROUND - BLACK
 BACKGROUND - GREEN (RETROREFLECTIVE)



R3-1 ABO

**ACTIVATED BLANKOUT FOR FEDERAL MUTCD R3-1 SIGN,
REFER TO FHWA STANDARD HIGHWAY SIGNS BOOK, R3-1 FOR DIMENSIONS**

**COLORS: BLACK BACKGROUND
WHITE ARROW
RED PROHIBITIVE CIRCLE SLASH
(NO BORDER)**

1/13/12



R3-2 ABO

**ACTIVATED BLANKOUT FOR FEDERAL MUTCD R3-2 SIGN,
REFER TO FHWA STANDARD HIGHWAY SIGNS BOOK, R3-2 FOR DIMENSIONS**

**COLORS: BLACK BACKGROUND
WHITE ARROW
RED PROHIBITIVE CIRCLE SLASH
(NO BORDER)**

1/13/12



R3-4 ABO

**ACTIVATED BLANKOUT FOR FEDERAL MUTCD R3-4 SIGN,
REFER TO FHWA STANDARD HIGHWAY SIGNS BOOK, R3-4 FOR DIMENSIONS**

**COLORS: BLACK BACKGROUND
WHITE ARROW
RED PROHIBITIVE CIRCLE SLASH
(NO BORDER)**

1/13/12



R3-18 ABO

**ACTIVATED BLANKOUT FOR FEDERAL MUTCD R3-18 SIGN,
REFER TO FHWA STANDARD HIGHWAY SIGNS BOOK, R3-18 FOR DIMENSIONS**

**COLORS: BLACK BACKGROUND
WHITE ARROW
RED PROHIBITIVE CIRCLE SLASH
(NO BORDER)**

1/13/12



R3-27 ABO

**ACTIVATED BLANKOUT FOR FEDERAL MUTCD R3-27 SIGN,
REFER TO FHWA STANDARD HIGHWAY SIGNS BOOK, R3-27 FOR DIMENSIONS**

**COLORS: BLACK BACKGROUND
WHITE ARROW
RED PROHIBITIVE CIRCLE SLASH
(NO BORDER)**

1/13/12



R5-1a ABO

**ACTIVATED BLANKOUT FOR FEDERAL MUTCD R5-1a SIGN,
REFER TO FHWA STANDARD HIGHWAY SIGNS BOOK, R5-1a FOR DIMENSIONS**

**COLORS: BLACK BACKGROUND
WHITE ARROW
RED PROHIBITIVE CIRCLE SLASH
(NO BORDER)**

1/13/12



R5-1 ABO

**ACTIVATED BLANKOUT FOR FEDERAL MUTCD R5-1 SIGN,
REFER TO FHWA STANDARD HIGHWAY SIGNS BOOK, R5-1 FOR DIMENSIONS**

**COLORS: BLACK BACKGROUND
WHITE LEGEND
RED CIRCLE
(NO BORDER)**

1/13/12

STATE OF CALIFORNIA - DEPARTMENT OF TRANSPORTATION



NOTE: For symbol details, see Standard Highway Signs, Appendix, "Towing".

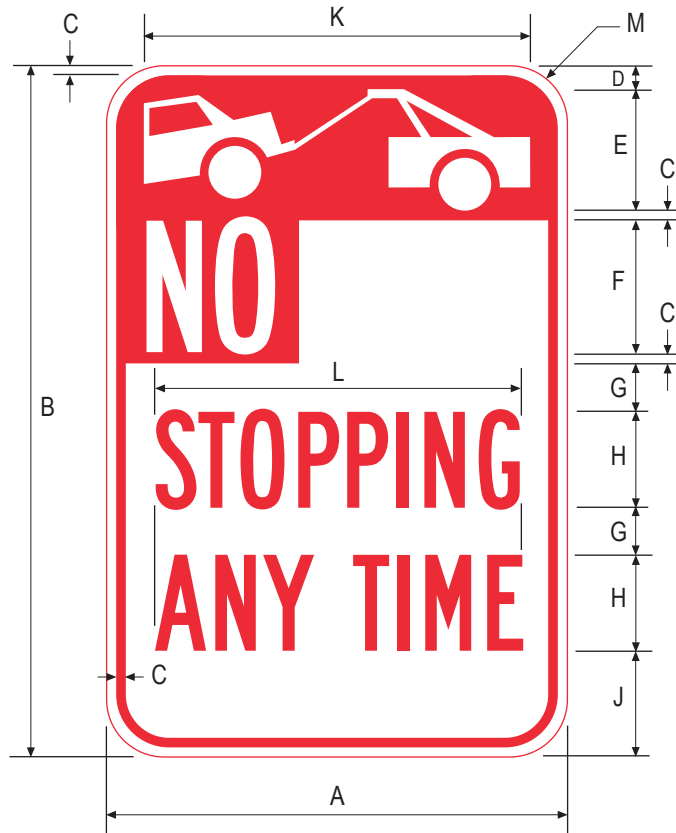
R26K (CA)

ENGLISH UNITS

A	B	C	D	E	F	G	H	J	K	L	M	N	P
12	18	.25	.625	3.125	3.75	3	6E	4.25	10	4.5	3.625	.875	1.5

COLORS: BORDER, TOP BACKGROUND, CIRCLE & DIAGONAL - RED (RETROREFLECTIVE)
LETTER - BLACK
BACKGROUND - WHITE (RETROREFLECTIVE)

STATE OF CALIFORNIA - DEPARTMENT OF TRANSPORTATION



NOTE: For symbol details, see Standard Highway Signs, Appendix, "Towing".

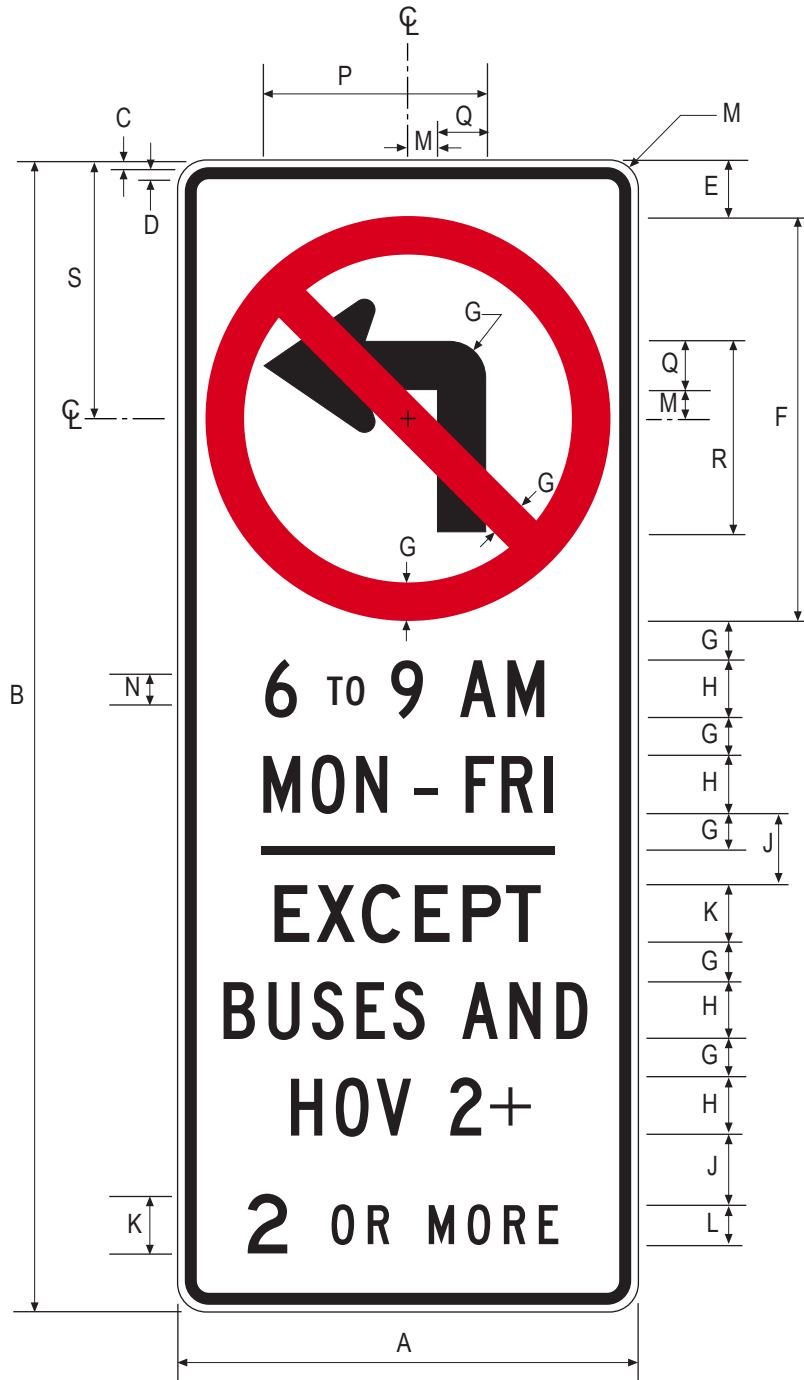
R26L (CA)

ENGLISH UNITS

A	B	C	D	E	F	G	H	J	K	L	M
12	18	.25	.625	3.125	3.5B	1.25	2.5B	2.75	10	9.5	1.5

**COLORS: BORDER, LEGEND & TOP BACKGROUND - RED (RETROREFLECTIVE)
BACKGROUND & TOP LEGEND - WHITE (RETROREFLECTIVE)**

STATE OF CALIFORNIA - DEPARTMENT OF TRANSPORTATION



NOTES:

1. For arrowhead dimensions, see page 6-2 of the Standard Highway Signs Book.
2. Specify times and number of persons per vehicle when ordering.

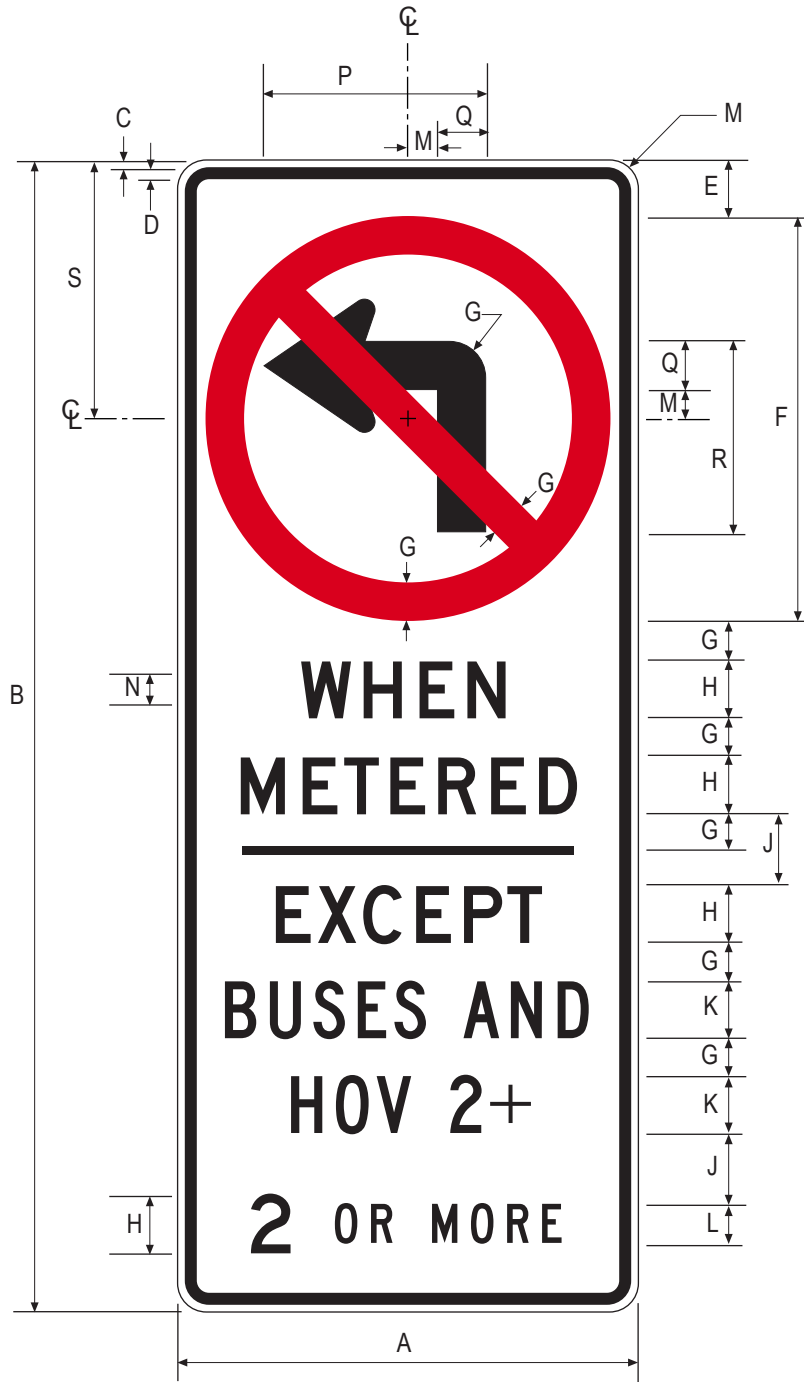
R33B (CA)

ENGLISH UNITS

A	B	C	D	E	F	G	H	J	K	L	M	N	P	Q	R	S
24	60	.375	.625	3	21	2	3C	3.75	3D	2C	1.5	1.5C	11.5	2.5	10.5	13.5

COLORS: CIRCLE & DIAGONAL - RED (RETROREFLECTIVE)
SYMBOL, BORDER & LEGEND - BLACK
BACKGROUND - WHITE (RETROREFLECTIVE)

STATE OF CALIFORNIA - DEPARTMENT OF TRANSPORTATION



NOTES:

1. For arrowhead dimensions, see page 6-2 of the Standard Highway Signs Book.
2. Specify number of persons per vehicle when ordering.

R33C (CA)

ENGLISH UNITS

A	B	C	D	E	F	G	H	J	K	L	M	N	P	Q	R	S
24	60	.375	.625	3	21	2	3D	3.75	3C	2C	1.5	1.5C	11.5	2.5	10.5	13.5

COLORS: CIRCLE & DIAGONAL - RED (RETROREFLECTIVE)
SYMBOL, BORDER & LEGEND - BLACK
BACKGROUND - WHITE (RETROREFLECTIVE)

STATE OF CALIFORNIA - DEPARTMENT OF TRANSPORTATION



R47 (CA)

ENGLISH UNITS

A	B	C	D	E	F	G	H
54	36	.625	.875	5	6D	4	2.25

COLORS: BORDER & LEGEND - BLACK
BACKGROUND - WHITE (RETROREFLECTIVE)

1/13/12



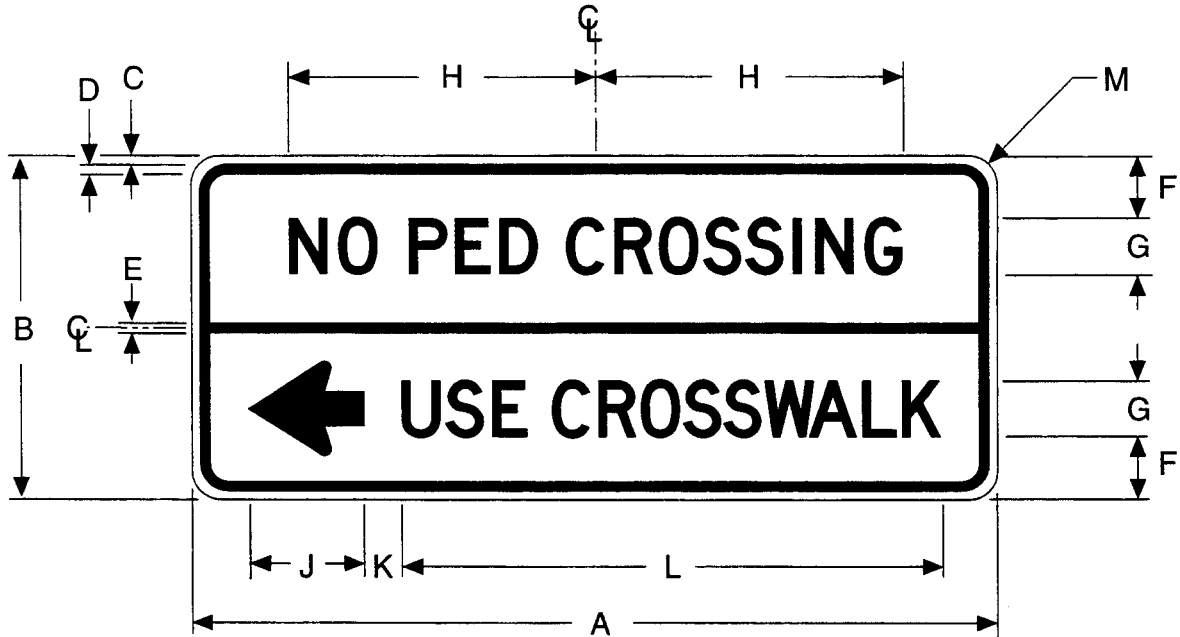
R47A (CA)

ENGLISH UNITS

A	B	C	D	E	F	G	H	J
54	36	.625	.875	5	6C	4	44	2.25

COLORS: BORDER & LEGEND - BLACK
BACKGROUND - WHITE (RETROREFLECTIVE)

1/13/12



Notes:

1. Alternate Arrow Direction: Left, Right or Double Arrow.
2. For Arrow Details, See Appendix Page 2 of 11, Standard Arrowhead.

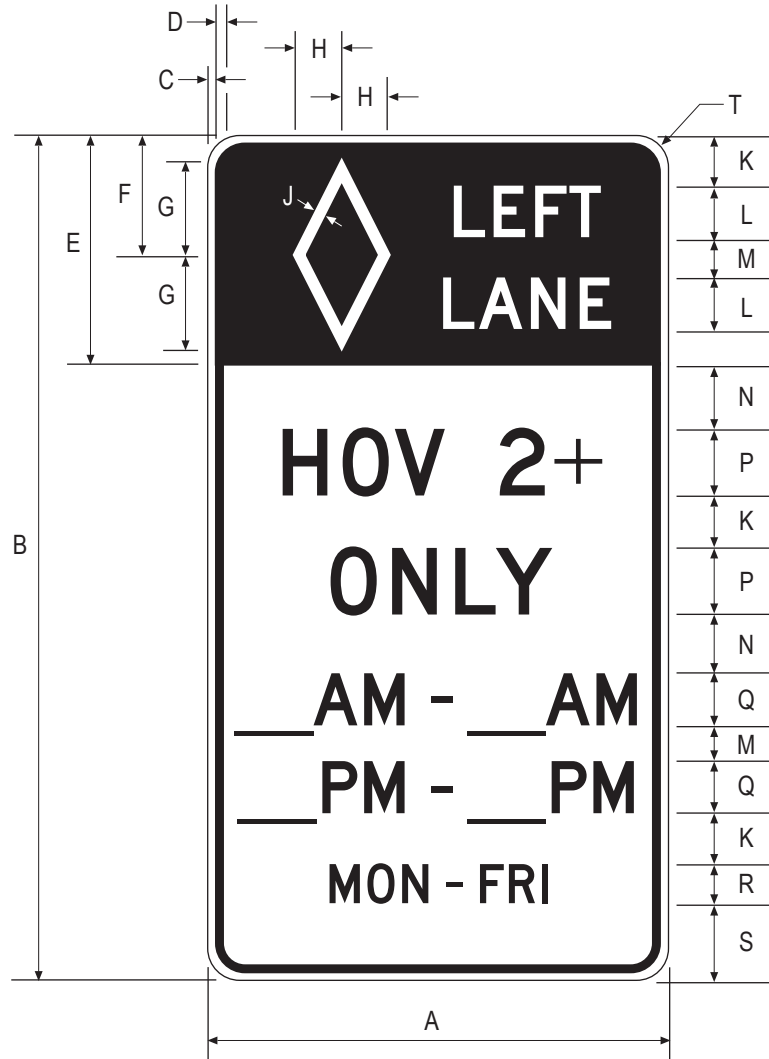
SIGN	DIMENSIONS (INCHES)											
	A	B	C	D	E	F	G	H	J	K	L	M
SINGLE ARROW	42	18	3/8	5/8	1/2	3-1/4	3D	16	6	2	28	1-1/2
DOUBLE ARROW	48	18	3/8	5/8	1/2	3-1/4	3D	16	6	1-1/2	28	1-1/2

SIGN	DIMENSIONS (MILLIMETERS)											
	A	B	C	D	E	F	G	H	J	K	L	M
SINGLE ARROW	1067	457	10	16	13	83	75D	406	152	51	711	38
DOUBLE ARROW	1219	457	10	16	13	83	75D	406	152	38	711	38

COLOR
BORDER & LEGEND - BLACK (Non-Reflective)
BACKGROUND - WHITE (Reflective)

- THE POLICY FOR INTENDED USAGE OF THIS SIGN IS SHOWN ON REVERSE SIDE -

STATE OF CALIFORNIA - DEPARTMENT OF TRANSPORTATION



NOTE: Specify times and number of persons per vehicle when ordering.

R86-3 (CA)

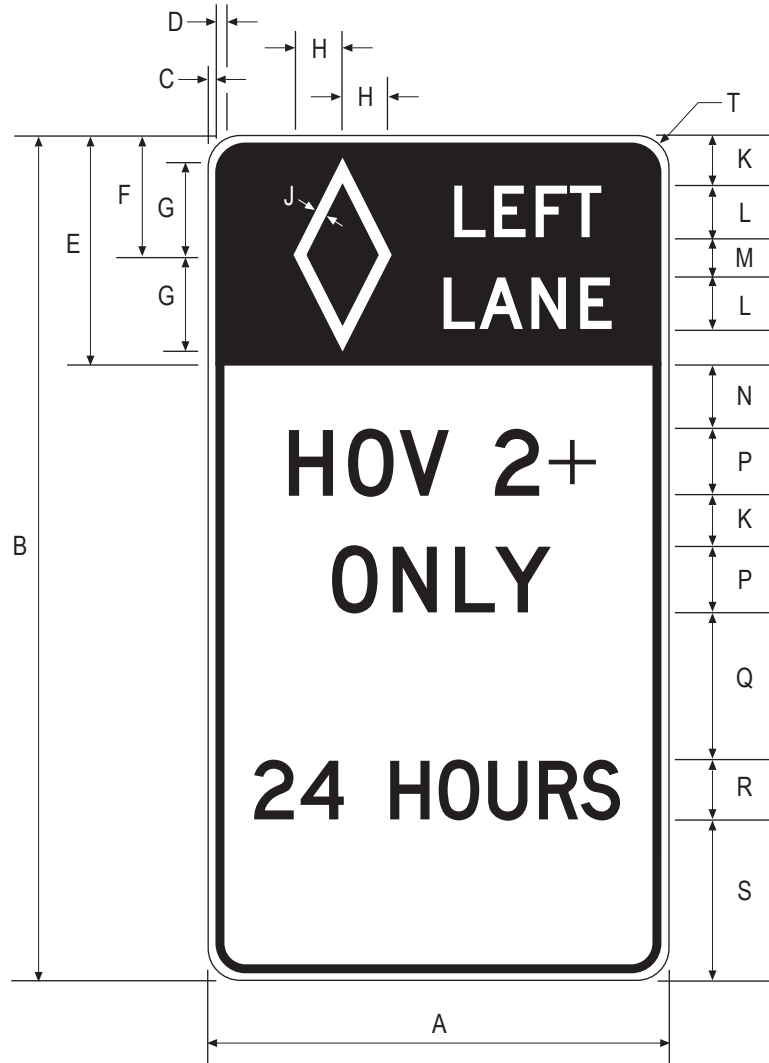
ENGLISH UNITS

A	B	C	D	E	F	G	H	J	K	L	M	N	P	Q	R	S	T
30	66	.5	.75	18	9.25	7.5	3.75	1.125	4	4C	3	5	5C	4C	3C	7	1.875
36	66	.625	.875	18	9.3125	7.5	3.75	1.125	4	4D	3	5	5D	4D	3D	7	2.25
48	78	.75	1.25	18	9.375	7.5	3.75	1.125	4	4D	3	6	7D	5D	4D	9	3

TOP
 COLORS: BORDER & LEGEND - WHITE (RETROREFLECTIVE)
 BACKGROUND - BLACK

BOTTOM
 COLORS: BORDER & LEGEND - BLACK
 BACKGROUND - WHITE (RETROREFLECTIVE)

STATE OF CALIFORNIA - DEPARTMENT OF TRANSPORTATION



NOTE: Specify number of persons per vehicle when ordering.

R86-4 (CA)

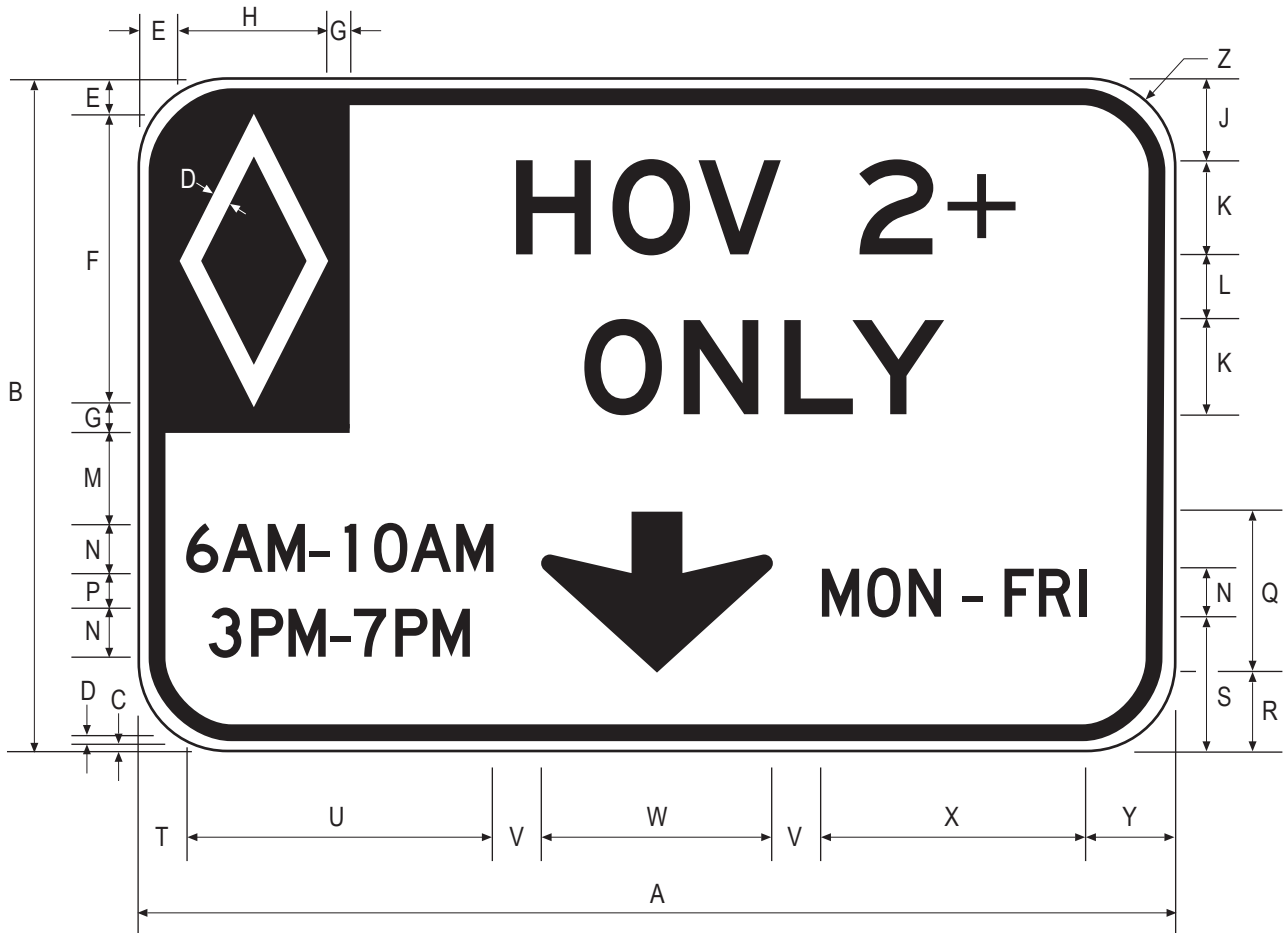
ENGLISH UNITS

A	B	C	D	E	F	G	H	J	K	L	M	N	P	Q	R	S	T
30	66	.5	.75	18	9.25	7.5	3.75	1.125	4	4C	3	5	5C	15	4C	10	1.875
36	66	.625	.875	18	9.3125	7.5	3.75	1.125	4	4D	3	5	5D	15	4D	10	2.25
48	78	.75	1.25	18	9.375	7.5	3.75	1.125	4	4D	3	6	7D	18	6C	12	3

TOP
 COLORS: BORDER & LEGEND - WHITE (RETROREFLECTIVE)
 BACKGROUND - BLACK

BOTTOM
 COLORS: BORDER & LEGEND - BLACK
 BACKGROUND - WHITE (RETROREFLECTIVE)

STATE OF CALIFORNIA - DEPARTMENT OF TRANSPORTATION



NOTE: Specify times and number of persons per vehicle when ordering.

R87-3 (CA)

ENGLISH UNITS

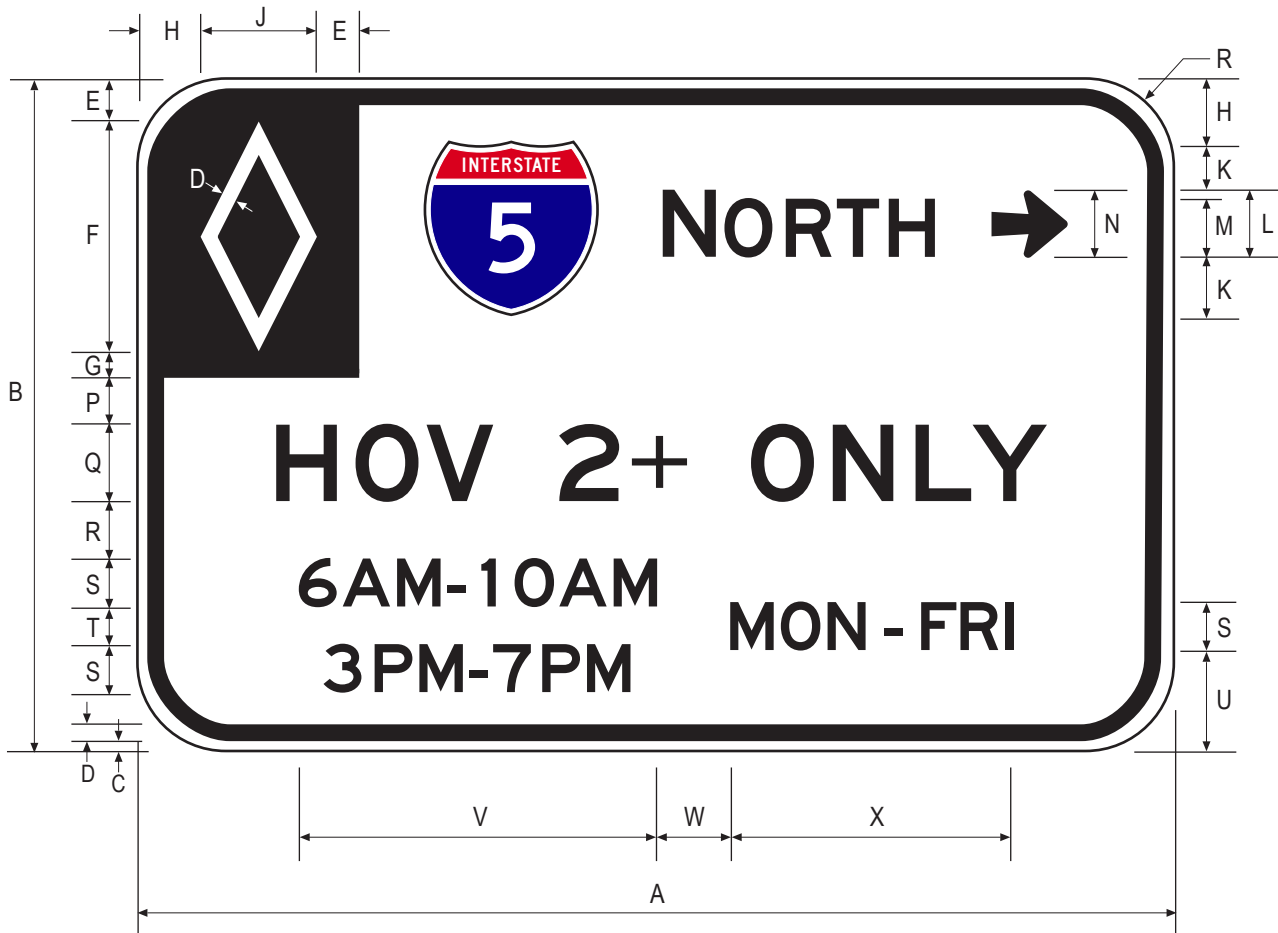
A	B	C	D	E	F	G	H	J	K	L	M	N	P	Q	R
90	60	1	1.75	4	24	3	12	7.5	8E	5	8.625	4D	3.75	16.5	6.25
108	70	1	1.75	4.5	30	2.5	15	9	10E	6	9.625	5D	3.75	16.5	8.25

S	T	U	V	W	X	Y	Z
12.5	5	24	4	24	22	7	3
14	7	30	5	24	26	11	6

TOP LEFT
 COLORS: SYMBOL - WHITE (RETROREFLECTIVE)
 BACKGROUND - BLACK

RIGHT
 COLORS: BORDER & LEGEND - BLACK
 BACKGROUND - WHITE (RETROREFLECTIVE)

STATE OF CALIFORNIA - DEPARTMENT OF TRANSPORTATION



NOTES:

1. See Route Shield sign specifications for details.
2. Specify times and number of persons per vehicle when ordering.

R87-4 (CA)

ENGLISH UNITS

A	B	C	D	E	F	G	H	J	K	L	M	N	P	Q	R
108	70	1	1.75	4.25	24	2.5	6.5	12	5.5	7D	6D	7	5	8E	6

S	T	U	V	W	X
5E	4	10.5	36.875	8	29.125

TOP LEFT
COLORS: SYMBOL - WHITE (RETROREFLECTIVE)
 BACKGROUND - BLACK

RIGHT
COLORS: BORDER & LEGEND - BLACK
 BACKGROUND - WHITE (RETROREFLECTIVE)
 SHIELD - (AS SPECIFIED IN SPEC DETAILS)

STATE OF CALIFORNIA - DEPARTMENT OF TRANSPORTATION



NOTES:

1. See Route Shield sign specifications for details.
2. Specify number of persons per vehicle when ordering.

R87-5 (CA)

ENGLISH UNITS

A	B	C	D	E	F	G	H	J	K	L	M	N	P	Q	R
108	70	1	1.75	4.25	24	2.5	6.5	12	5.5	7E	6E	7	9.5	8E	6

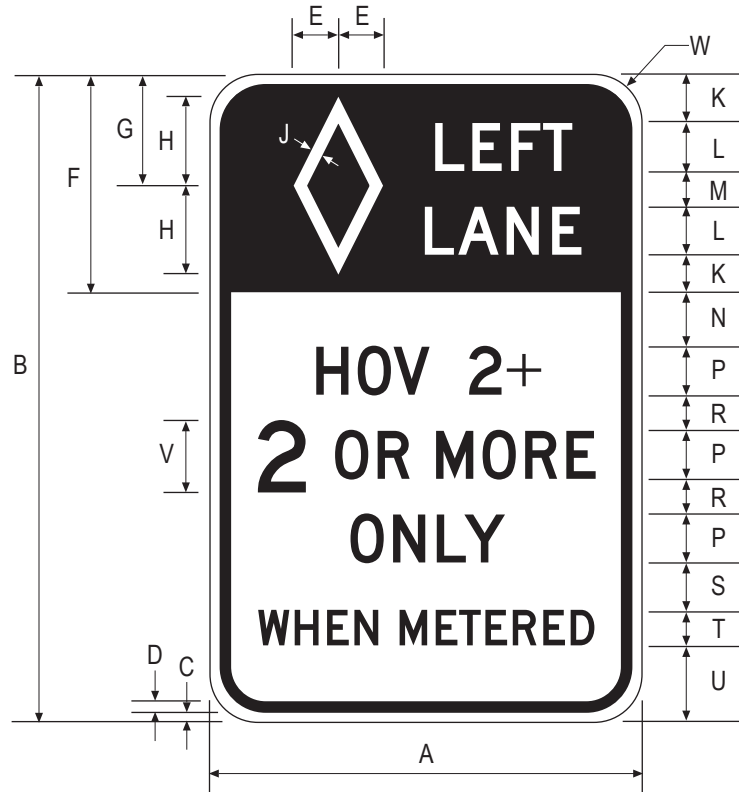
TOP LEFT

COLORS: SYMBOL - WHITE (RETROREFLECTIVE)
BACKGROUND - BLACK

RIGHT

COLORS: BORDER & LEGEND - BLACK
BACKGROUND - WHITE (RETROREFLECTIVE)
SHIELD - (AS SPECIFIED IN SPEC DETAILS)

STATE OF CALIFORNIA - DEPARTMENT OF TRANSPORTATION



NOTE: Specify number of persons per vehicle when ordering.

ALTERNATE MESSAGES:
 Line 1 - RIGHT or CENTER
 Line 6 - 24 HOURS or other 1 line message

R91-1 (CA)

ENGLISH UNITS

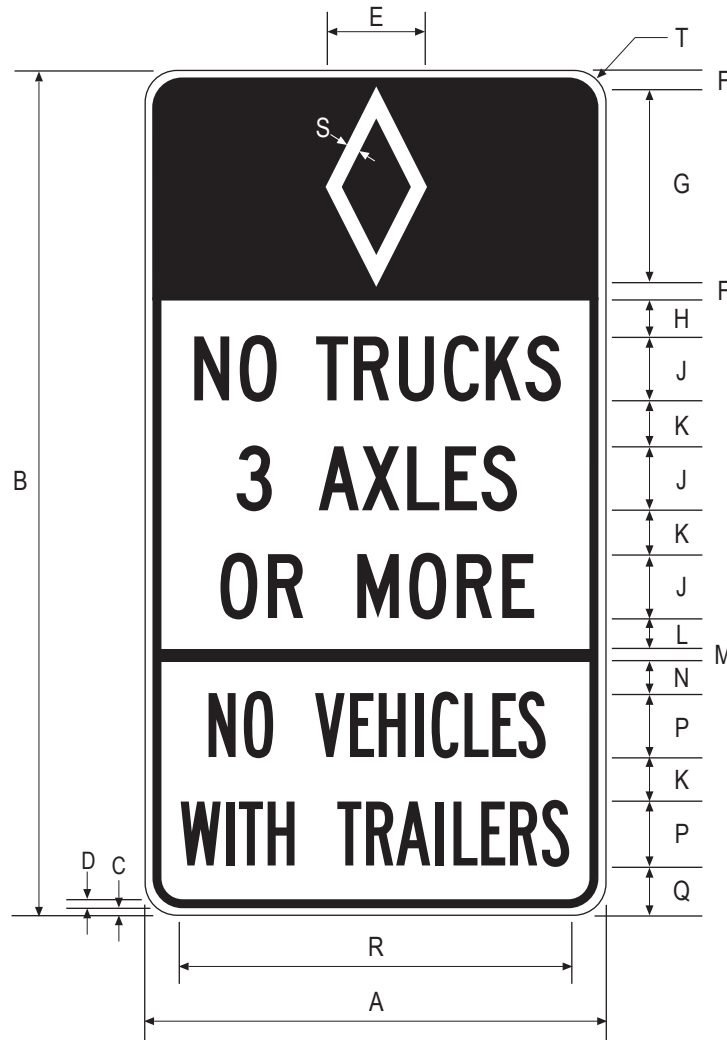
A	B	C	D	E	F	G	H	J	K	L	M	N	P	R
30	54	.5	.75	3.75	18	9.25	7.5	1	3.5	4C	3	5	4C	3
36	54	.5	.75	3.75	18	9.25	7.5	1	3.5	4C	3	5	4C	3
48	66	.625	.875	3.75	18	9.25	7.5	1	3.5	4D	3	5	6C	4
66	96	.75	1.25	5	27	14	10	1.5	5.5	6D	4	8	8C	6

S	T	U	V	W
4	3C	6	6D	1.875
4	4D	6	6D	2.25
6	8D	7	8D	2.25
8	6D	11	10D	3

TOP
COLORS: BORDER & LEGEND - WHITE (RETROREFLECTIVE)
 BACKGROUND - BLACK

BOTTOM
COLORS: BORDER & LEGEND - BLACK
 BACKGROUND - WHITE (RETROREFLECTIVE)

STATE OF CALIFORNIA - DEPARTMENT OF TRANSPORTATION



NOTE: Optically condense text spacing where needed not to exceed dimension R.

R91-4 (CA)

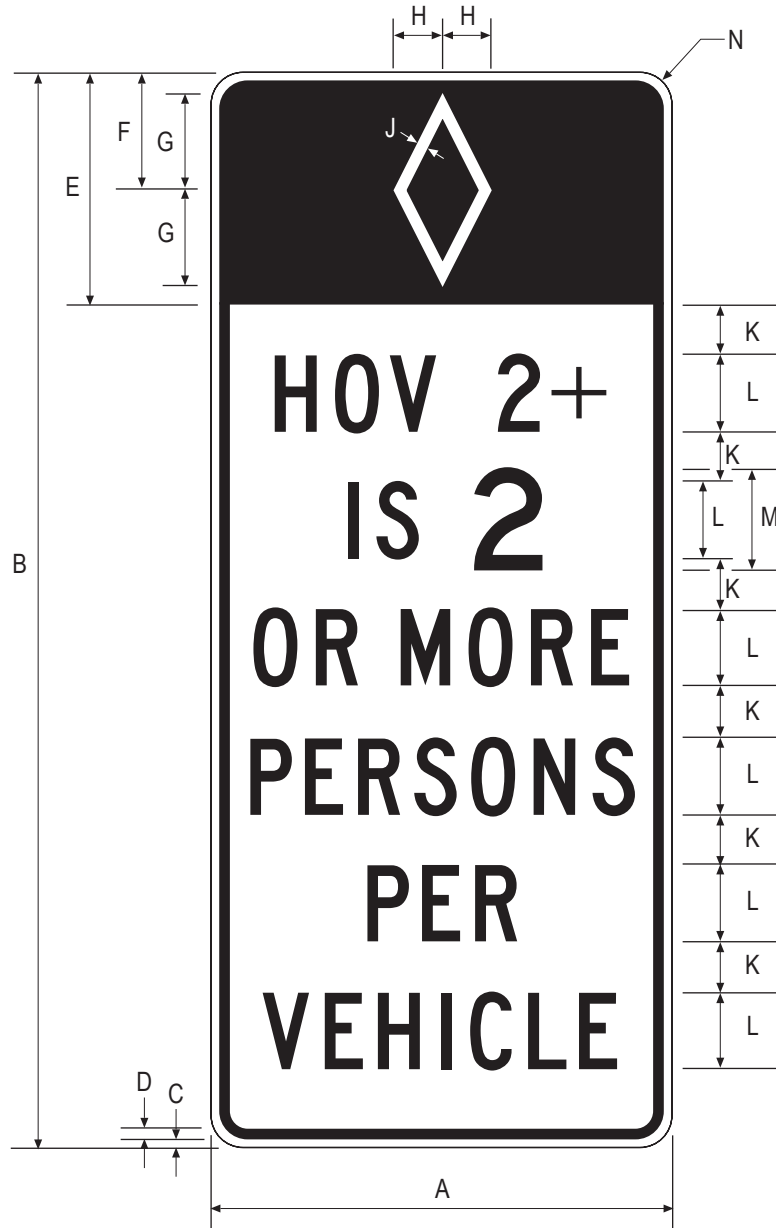
ENGLISH UNITS

A	B	C	D	E	F	G	H	J	K	L	M	N	P	Q	R	S	T
36	66	.625	.875	7.5	1.5	15	2.75	5C	3.5	2.375	1	2.5	5B	3.875	30 MAX	1	2.25
48	78	.75	1.25	7.5	1.5	15	3.75	6C	4	4	1.25	4	6B	5	40 MAX	1.125	3

TOP
 COLORS: BORDER & LEGEND - WHITE (RETROREFLECTIVE)
 BACKGROUND - BLACK

BOTTOM
 COLORS: BORDER & LEGEND - BLACK
 BACKGROUND - WHITE (RETROREFLECTIVE)

STATE OF CALIFORNIA - DEPARTMENT OF TRANSPORTATION



NOTE: Specify number of persons per vehicle when ordering.

R93-2 (CA)

ENGLISH UNITS

A	B	C	D	E	F	G	H	J	K	L	M	N
30	72	.5	.75	18	9.25	7.5	3.75	1.125	3.25	5C	6D	1.875
36	84	.625	.875	18	9.3125	7.5	3.75	1.125	4	6C	8D	2.25

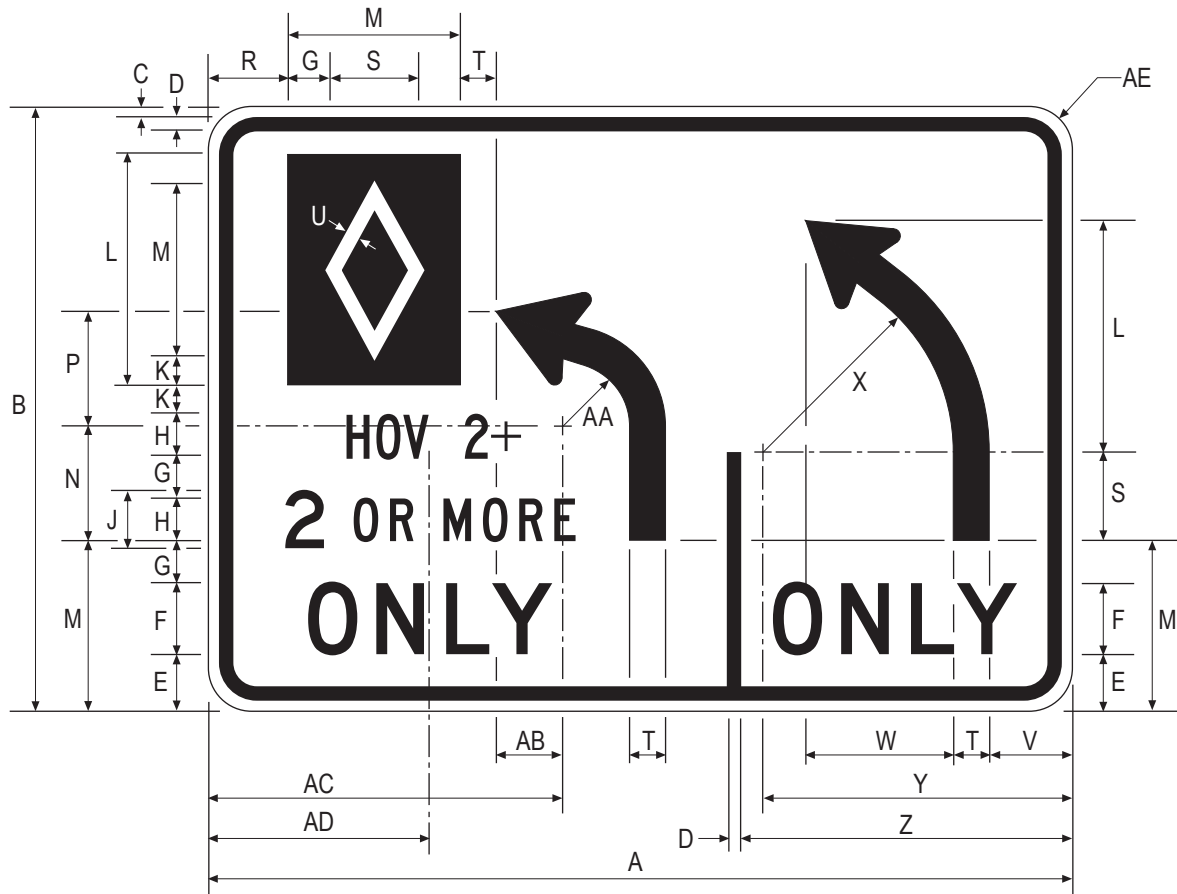
TOP

COLORS: BORDER & LEGEND - WHITE (RETROREFLECTIVE)
BACKGROUND - BLACK

BOTTOM

COLORS: BORDER & LEGEND - BLACK
BACKGROUND - WHITE (RETROREFLECTIVE)

STATE OF CALIFORNIA - DEPARTMENT OF TRANSPORTATION



NOTES:

1. Specify number of persons per vehicle when ordering.
2. For arrowhead dimensions, see Sign Specification Appendix Standard Arrows.

R94 LT (CA)

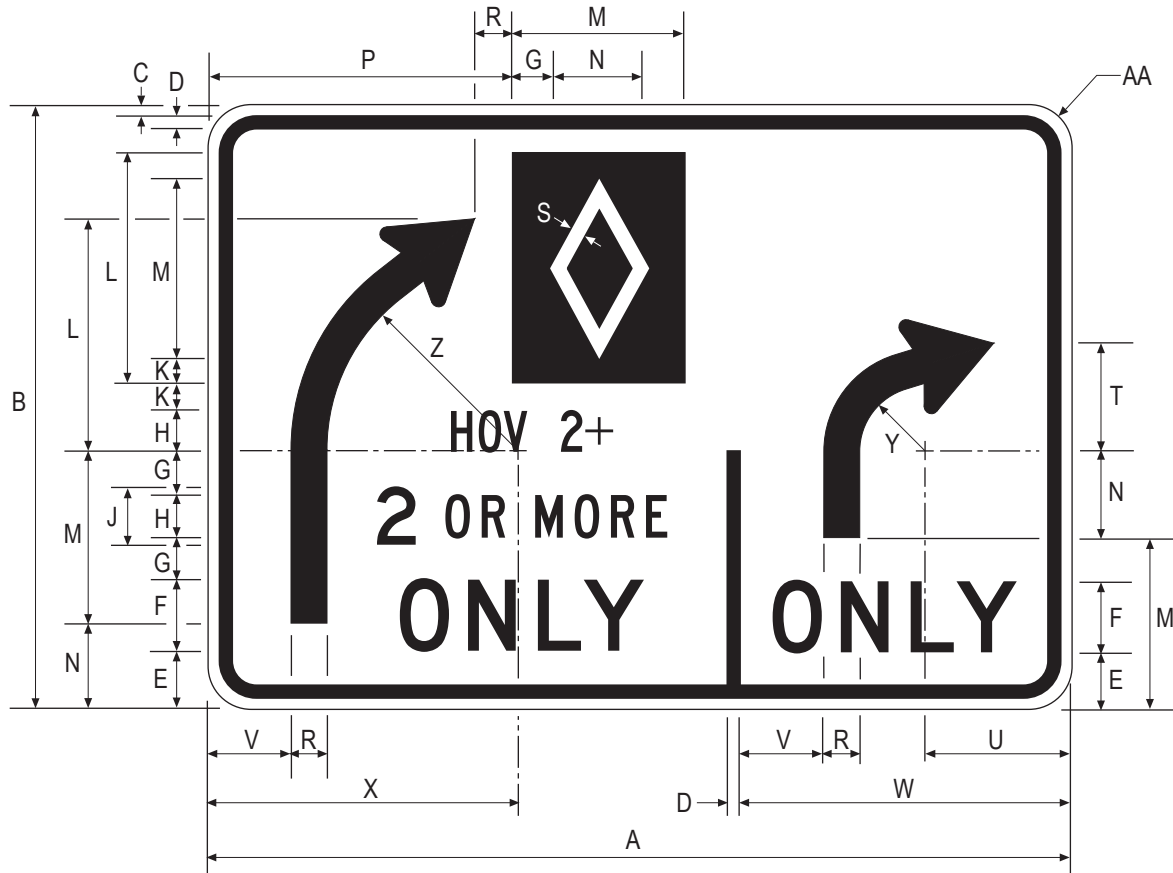
ENGLISH UNITS

A	B	C	D	E	F	G	H	J	K	L	M	N	P
60	42	.625	1	4	5D	3	3C	4C	2	16	12	8	7.5

R	S	T	U	V	W	X	Y	Z	AA	AB	AC	AD	AE
5.5	6	2.5	.75	5.75	10.25	13.25	21.5	23	4.5	4.75	24.75	11.5	2.625

COLORS: BORDER, SYMBOL & LEGEND - BLACK
 BACKGROUND - WHITE (RETROREFLECTIVE)

STATE OF CALIFORNIA - DEPARTMENT OF TRANSPORTATION



NOTES:

1. Specify number of persons per vehicle when ordering.
2. For arrowhead dimensions, see Sign Specification Appendix Standard Arrows.

R94 RT (CA)

ENGLISH UNITS

A	B	C	D	E	F	G	H	J	K	L	M
60	42	.625	1	4	5D	3	3C	4C	2	16	12

N	9	R	S	T	U	V	W	X	Y	Z	AA
6	21	2.5	.75	7.5	10.25	5.75	23	21.5	4.5	13.25	2.625

COLORS: BORDER, SYMBOL & LEGEND - BLACK
BACKGROUND - WHITE (RETROREFLECTIVE)

STATE OF CALIFORNIA - DEPARTMENT OF TRANSPORTATION



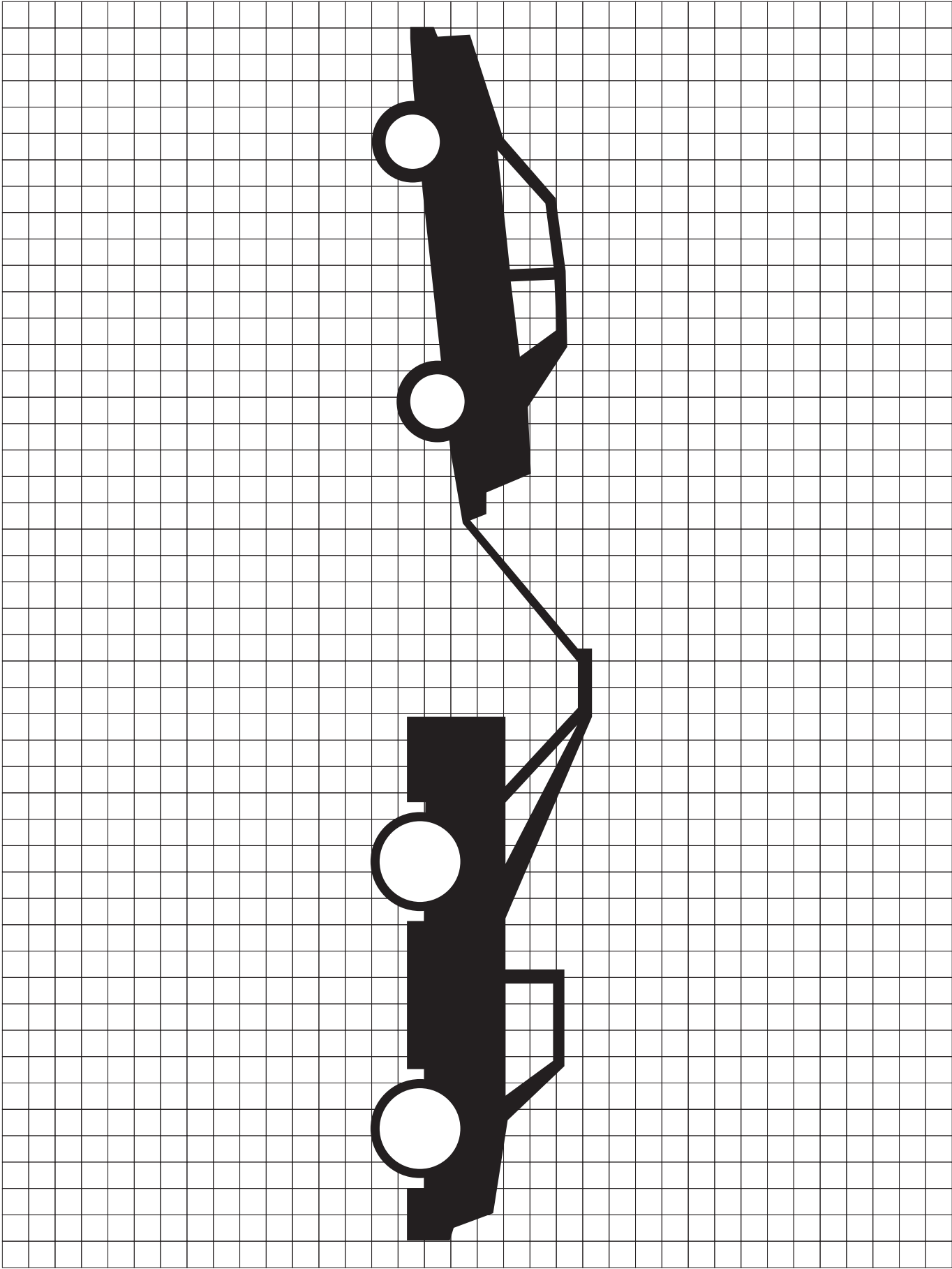
NOTE: For symbol details, see R107 (CA) SYMBOL GRID.

R107 (CA)

ENGLISH UNITS

A	B	C	D	E	F	G	H	J	K	L	M	N	P
18	.375	.25	3.75	3.5B	3B	1.75	3C	2C	1C	1	.5C	16.5	1.5

**COLORS: BORDER, LEGEND & TOP BACKGROUND - RED (RETROREFLECTIVE)
BACKGROUND & TOP LEGEND - WHITE (RETROREFLECTIVE)**



STATE OF CALIFORNIA - DEPARTMENT OF TRANSPORTATION



NOTE: For symbol details, see Standard Highway Signs, Appendix, "Towing".

R108 (CA)

ENGLISH UNITS

A	B	C	D	E	F	G	H	J	K	L	M	N	P	R	S
12	18	.25	.625	3.125	2.25	2.5	5E	2	1D	.5	4	3.25	.75	10	1.5

COLORS: BORDER, TOP BACKGROUND, LEGEND, CIRCLE & DIAGONAL - RED (RETROREFLECTIVE)
LETTER - BLACK
BACKGROUND - WHITE (RETROREFLECTIVE)

1/13/12



*Reduce spacing 40%.

R109 (CA)

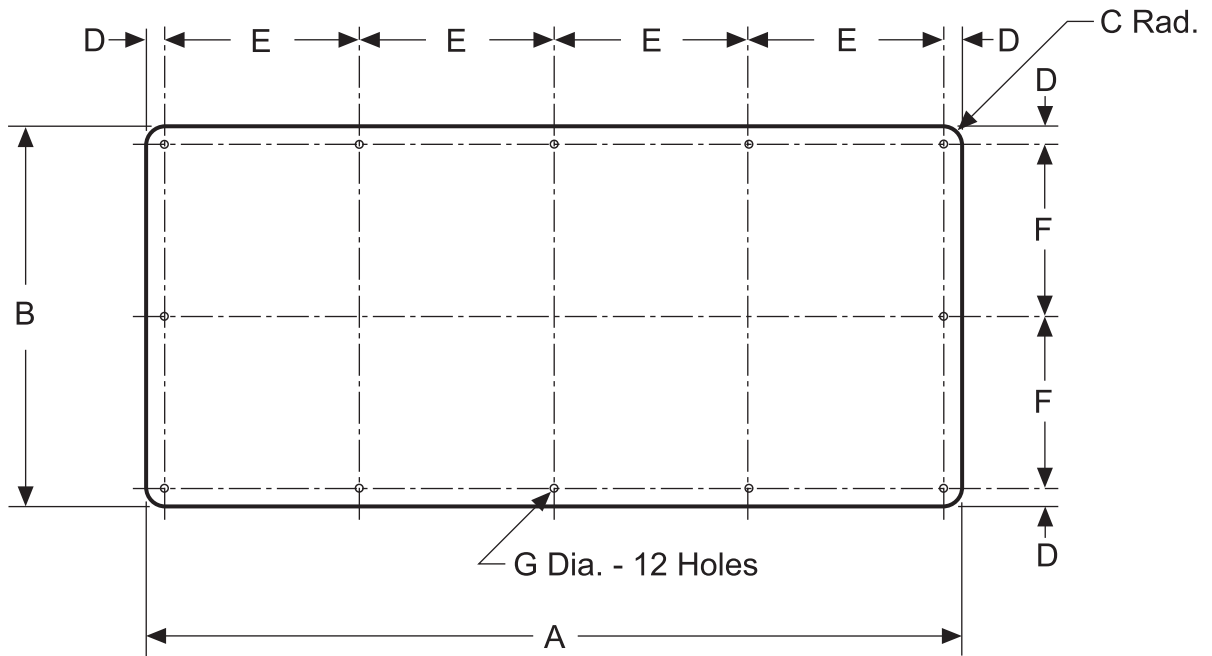
ENGLISH UNITS

A	B	C	D	E	F
12	6	.375	2.25	1.5B	1.5

**COLORS: BORDER & LEGEND - GREEN (RETROREFLECTIVE)
BACKGROUND - WHITE (RETROREFLECTIVE)**

1/13/12

STATE OF CALIFORNIA - DEPARTMENT OF TRANSPORTATION



Blank recognition panel (for custom graphics per approved permit)

S32B (CA)

ENGLISH UNITS

A	B	C	D	E	F	G
30	15	.75	1	7	6.5	.1875
45	21	1	1	10.75	9.5	.1875

COLORS: BORDER & LEGEND - WHITE (RETROREFLECTIVE)



SC19 (CA)

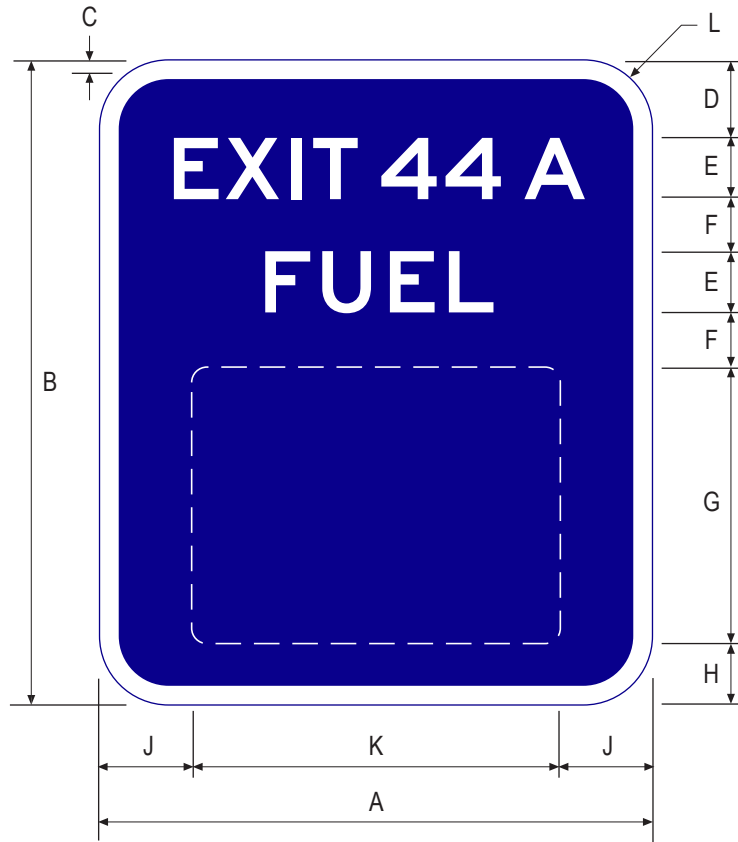
NOTE: Include registered trademark symbols as shown above.
Also, 54" x 36" option may be used as a portable mesh sign.

ENGLISH UNITS

A	B	C	D	E	F	G	H	J	K	L	M
54	36	.625	2.25	3	9.5	14.5	17.5	2	6.5	5	9.5
114	78	1.25	9	8.5	19.5	32.5	38	4	14.5	11.5	24

COLORS: BORDER - WHITE
 LEGEND - WHITE AND ORANGE
 BACKGROUND - BLUE AND WHITE
 CONES - ORANGE
 CT LOGO - GREEN (PANTONE #326), BLUE (PANTONE #299), AND BLACK
 ALL COLORS EXCEPT BLACK TO BE RETROREFLECTIVE

STATE OF CALIFORNIA - DEPARTMENT OF TRANSPORTATION



NOTES:

When the exit number includes a suffix letter, the suffix letter is separated from the number by a space (per FHWA Standard Alphabet Spacing standards). Use Series E letters for 2 digit exit numbers, Series D letters for 3 digit exit numbers.

Alternate Messages:

- Line 1 - NEXT RIGHT (LEFT) or NEXT EXIT (Use Series D letters)
- Line 1 - SECOND EXIT (Use Series C letters)
- Line 1 - SECOND RIGHT (LEFT) (Use Series C letters spaced to 60" max)
- Line 2 - FOOD, LODGING, or CAMPING (Use Series E letters)

SG42-9 (CA)

ENGLISH UNITS

A	B	C	D	E	F	G	H	J	K	L
72	84	1.25	10	8E	7	36	8	12	48	9

COLORS: BORDER & LEGEND - WHITE (RETROREFLECTIVE)
BACKGROUND - BLUE (RETROREFLECTIVE)

STATE OF CALIFORNIA - DEPARTMENT OF TRANSPORTATION



* Optically space numerals about the vertical centerline.

SR4-1 (CA)

ENGLISH UNITS

A	B	C	D	E	F	G	H	J	K	L	M	N	P	R
24	48	.375	.625	2.5	4D	1.5	4	4E	2	10E	3	2D	.5	1.5
36	72	.625	.875	3.75	6D	2.25	6	6E	4	14E	4	3D	.75	2.25
48	96	.75	1.25	5	8D	3	8	8E	6	16E	6	4D	1	3

TOP

COLORS: BORDER & LEGEND - BLACK
BACKGROUND - FLUORESCENT YELLOW-GREEN (RETROREFLECTIVE)

BOTTOM

COLORS: BORDER & LEGEND - BLACK
BACKGROUND - WHITE (RETROREFLECTIVE)

STATE OF CALIFORNIA - DEPARTMENT OF TRANSPORTATION



NOTE: Specify fine amount when ordering.

SR50-1 (CA)

ENGLISH UNITS

A	B	C	D	E	F	G	H	J	K	L	M	N	P	R	S
192	70	1	1.75	35	24	36	18.5	12	3	10	10D	9	12E	10E	9

LEFT

COLORS: BORDER & LEGEND - WHITE (RETROREFLECTIVE)
BACKGROUND - BLACK

RIGHT

COLORS: BORDER & LEGEND - BLACK
BACKGROUND - WHITE (RETROREFLECTIVE)

STATE OF CALIFORNIA - DEPARTMENT OF TRANSPORTATION



NOTE: Specify fine amount when ordering.

SR50-2 (CA)

ENGLISH UNITS

A	B	C	D	E	F	G	H	J	K	L	M	N	P
30	66	.5	.75	18	9.25	7.5	3.75	1.125	5	5C	3	6D	1.875
36	78	.625	.875	18	9.3125	7.5	3.75	1.125	6	6C	4	8D	2.25
48	96	.75	1.25	18	9.375	7.5	3.75	1.125	7	8C	5.5	10D	3

TOP

COLORS: BORDER & LEGEND - WHITE (RETROREFLECTIVE)
BACKGROUND - BLACK

BOTTOM

COLORS: BORDER & LEGEND - BLACK
BACKGROUND - WHITE (RETROREFLECTIVE)

STATE OF CALIFORNIA - DEPARTMENT OF TRANSPORTATION



*NOTE: Alternate message for Line 1 is "LEFT LANE".

SR60-4 (CA)

ENGLISH UNITS

A	B	C	D	E	F	G	H	J	K	L	M
30	42	.5	.75	4	3D	3	3.875	4D	2.5	5.125	1.875

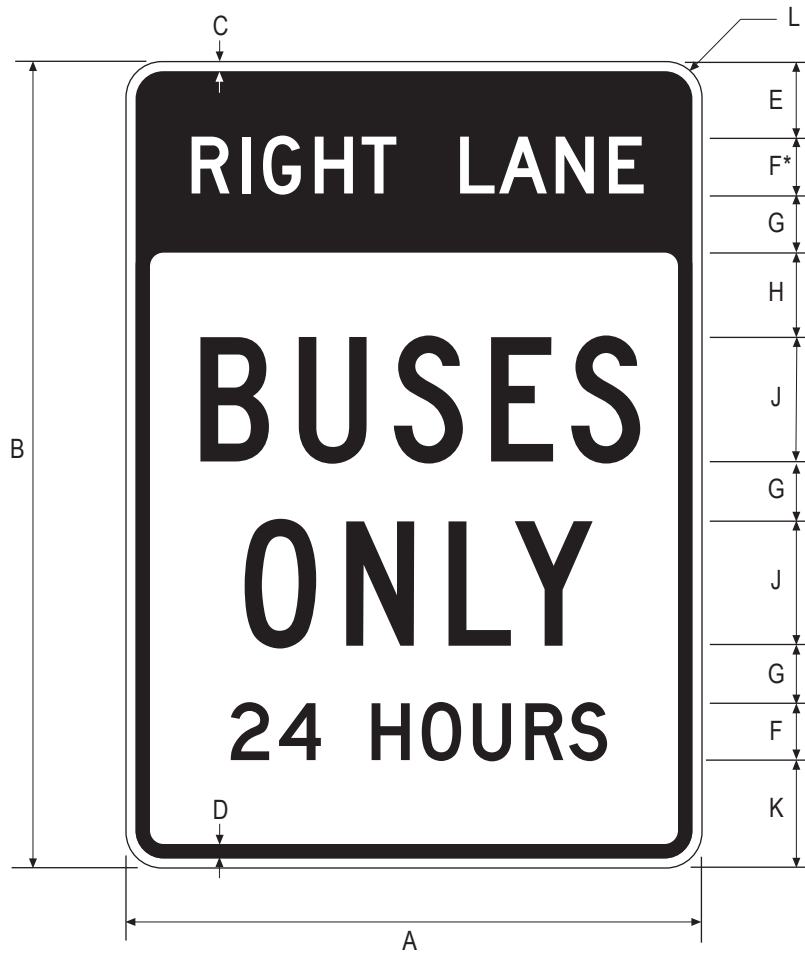
TOP

COLORS: BORDER & LEGEND - WHITE (RETROREFLECTIVE)
BACKGROUND - BLACK

BOTTOM

COLORS: BORDER & LEGEND - BLACK
BACKGROUND - WHITE (RETROREFLECTIVE)

STATE OF CALIFORNIA - DEPARTMENT OF TRANSPORTATION



*NOTE: Alternate message for Line 1 is "LEFT LANE".

SR60-5 (CA)

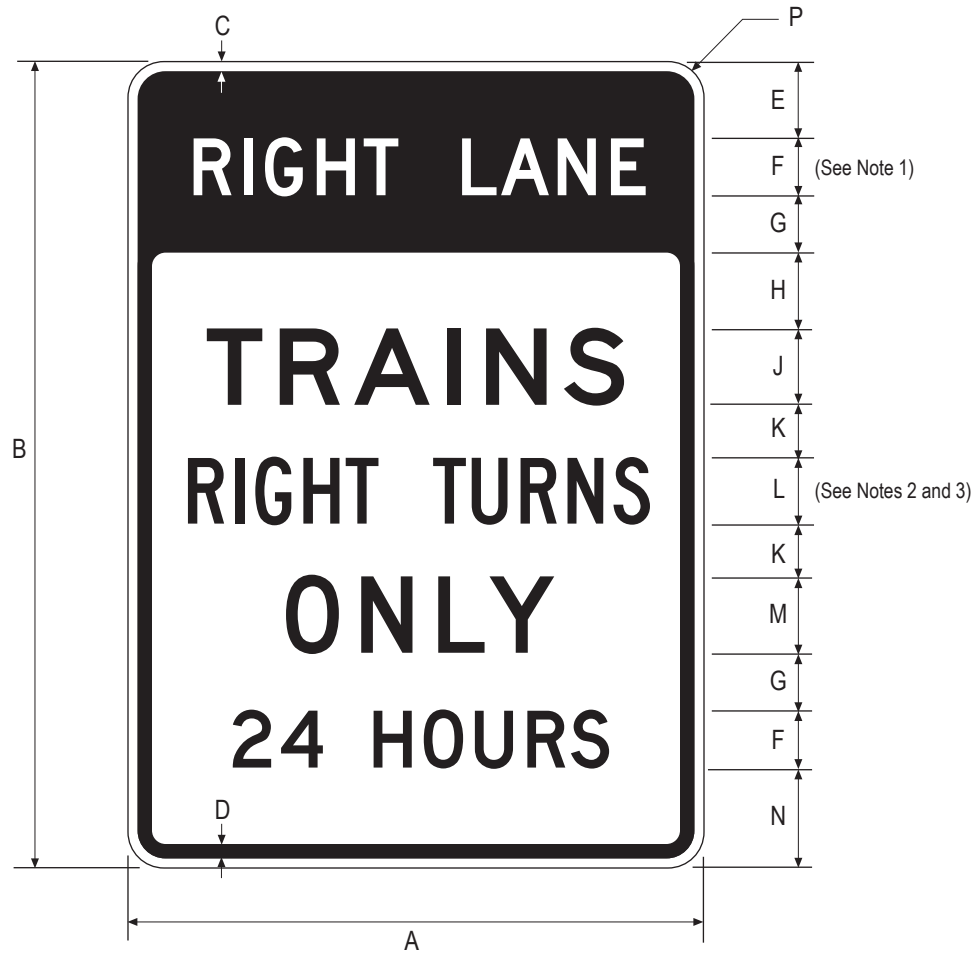
ENGLISH UNITS

A	B	C	D	E	F	G	H	J	K	L
30	42	.5	.75	4	3D	3	4.375	6.5C	5.625	1.875

TOP
COLORS: BORDER & LEGEND - WHITE (RETROREFLECTIVE)
 BACKGROUND - BLACK

BOTTOM
COLORS: BORDER & LEGEND - BLACK
 BACKGROUND - WHITE (RETROREFLECTIVE)

STATE OF CALIFORNIA - DEPARTMENT OF TRANSPORTATION



- NOTES:
1. Alternate message for Line 1 is "LEFT LANE".
 2. Line 3: "RIGHT TURNS" use 24" maximum width, condense spacing as needed.
 3. Alternate message for Line 3 is "LEFT TURNS".

SR60-6 (CA)

ENGLISH UNITS

A	B	C	D	E	F	G	H	J	K	L	M	N	P
30	42	.5	.75	4	3D	3	3.875	4E	2.75	3.5C	4D	5.125	1.875

TOP

COLORS: BORDER & LEGEND - WHITE (RETROREFLECTIVE)
BACKGROUND - BLACK

BOTTOM

COLORS: BORDER & LEGEND - BLACK
BACKGROUND - WHITE (RETROREFLECTIVE)

STATE OF CALIFORNIA - DEPARTMENT OF TRANSPORTATION



NOTES:

1. Alternate message for Line 1 is "LEFT LANE".
2. See Standard Arrows for Directional Signs in Appendix. Use 24" x 16.5" Vertical Down Arrow, scaled down to 3.75" tall.

SR60-9 (CA)

ENGLISH UNITS

A	B	C	D	E	F	G	H	J	K	L	M	N
30	42	.5	.75	4	3D	3	2	4D	2.375	3.75	2.875	1.875

TOP

COLORS: BORDER & LEGEND - WHITE (RETROREFLECTIVE)
BACKGROUND - BLACK

BOTTOM

COLORS: BORDER & LEGEND - BLACK
BACKGROUND - WHITE (RETROREFLECTIVE)

STATE OF CALIFORNIA - DEPARTMENT OF TRANSPORTATION



SR61 (CA)

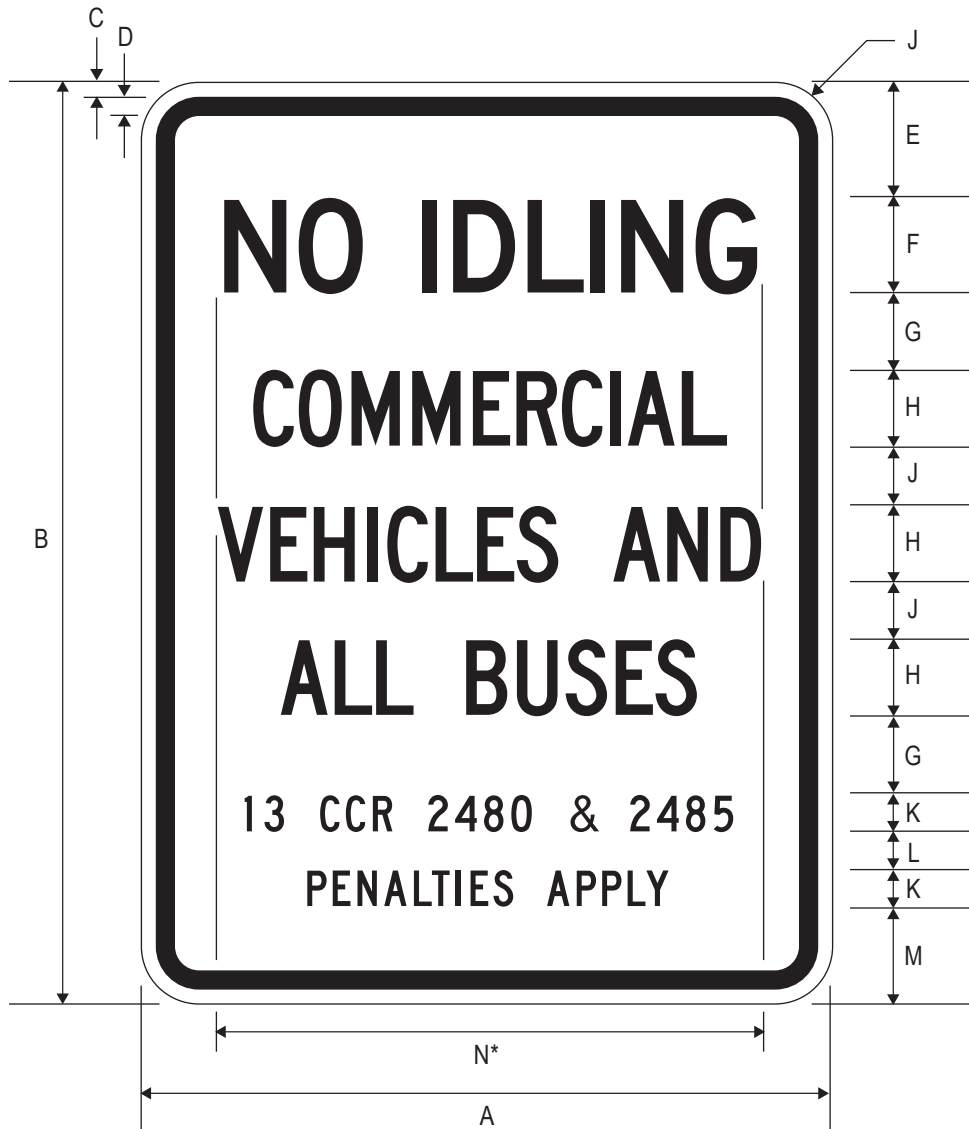
ENGLISH UNITS

A	B	C	D	E	F	G	H	J	K
96	66	.75	1.25	6.375	8D	6	6C	3	76

COLORS: BORDER & LEGEND - BLACK
BACKGROUND - WHITE (RETROREFLECTIVE)

1/13/12

STATE OF CALIFORNIA - DEPARTMENT OF TRANSPORTATION



SR62 (CA)

* Maximum text width for all lines.

ENGLISH UNITS

A	B	C	D	E	F	G	H	J	K	L	M	N
18	24	.375	.5	3	2.5D	2	2C	1.5	1	1C	2.5	14.25

COLORS: BORDER & SYMBOL - BLACK
BACKGROUND - WHITE (RETROREFLECTVE)

STATE OF CALIFORNIA - DEPARTMENT OF TRANSPORTATION



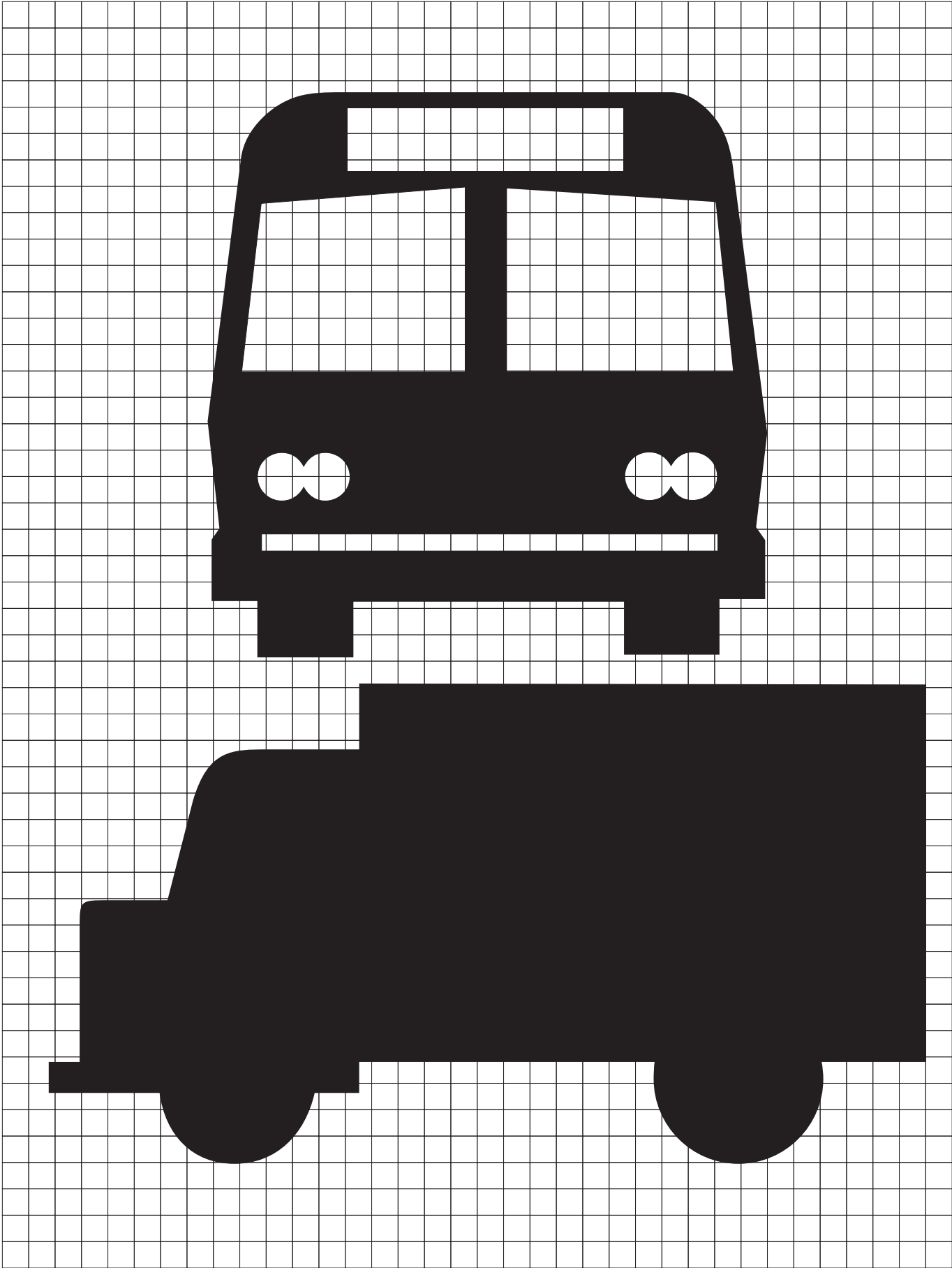
* Optically space symbol about centerline.
For symbol details, see SR63 (CA) SYMBOL GRID.

SR63 (CA)

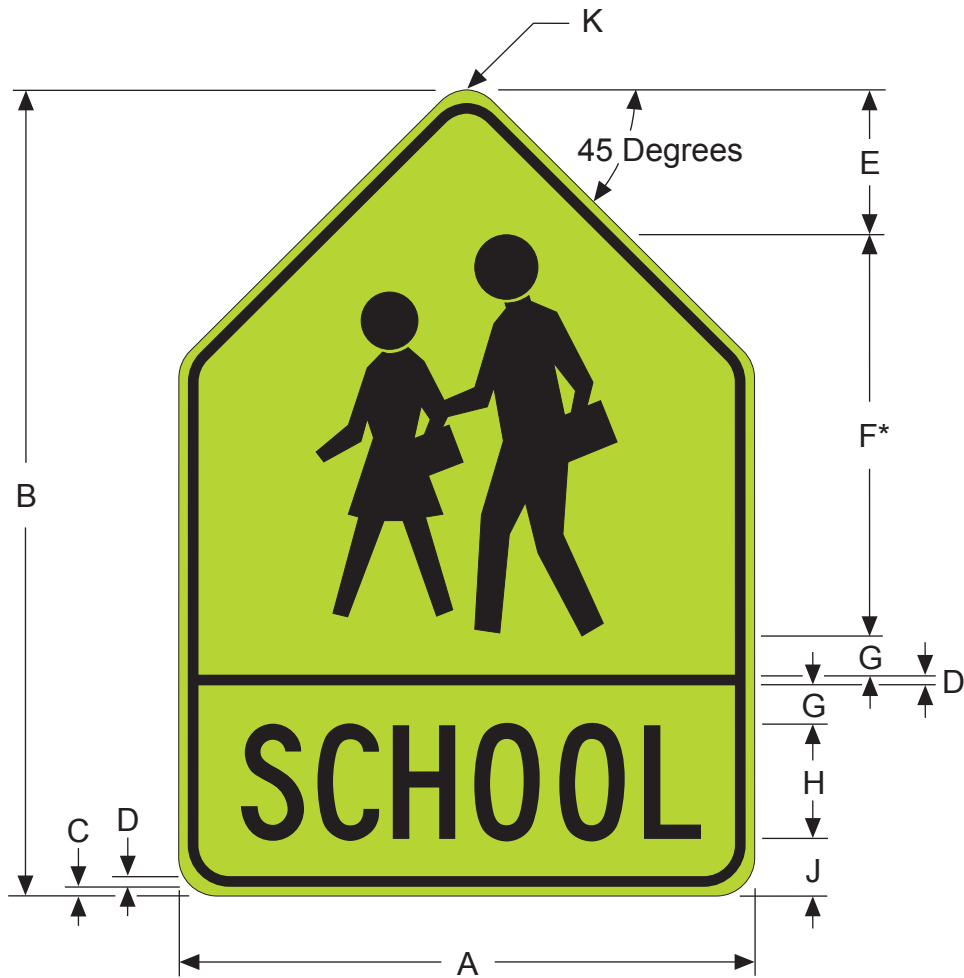
ENGLISH UNITS

A	B	C	D	E	F	G	H	J	K	L	M	N	P
18	24	.375	.5	1.75	2.5D	1.875	10	14.475	1C	.75	1.5	1.375	14.15

COLORS: CIRCLE & DIAGONAL - RED (RETROREFLECTIVE)
SYMBOL & BORDER - BLACK
BACKGROUND - WHITE (RETROREFLECTIVE)



STATE OF CALIFORNIA - DEPARTMENT OF TRANSPORTATION



*See Federal Standard Highways Signs Book, Appendix, "School Children" symbol.

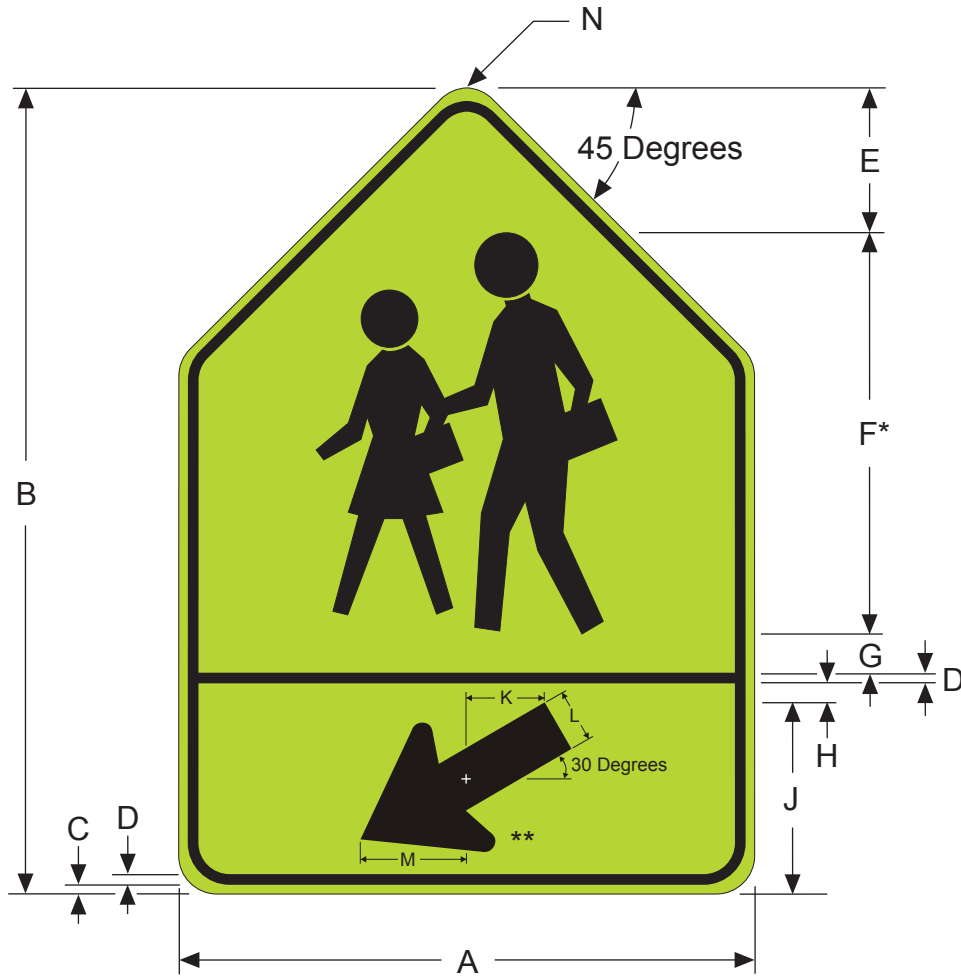
SW24-1 (CA)

ENGLISH UNITS

A	B	C	D	E	F	G	H	J	K
30	42	.5	.75	7.5	20	2	6C	3.75	1.875
36	48	.625	.875	8.5	24	2	7C	3.625	2.25
48	60	.75	1.25	10.5	30	2.5	8D	5.25	3

COLORS: BORDER & SYMBOL - BLACK
BACKGROUND - FLUORESCENT YELLOW-GREEN (RETROREFLECTIVE)

STATE OF CALIFORNIA - DEPARTMENT OF TRANSPORTATION



*See Federal Standard Highway Signs Book, Appendix, "School Children" symbol.

**See Federal Standard Highway Signs, Appendix, page 6-2 for arrow symbol design.

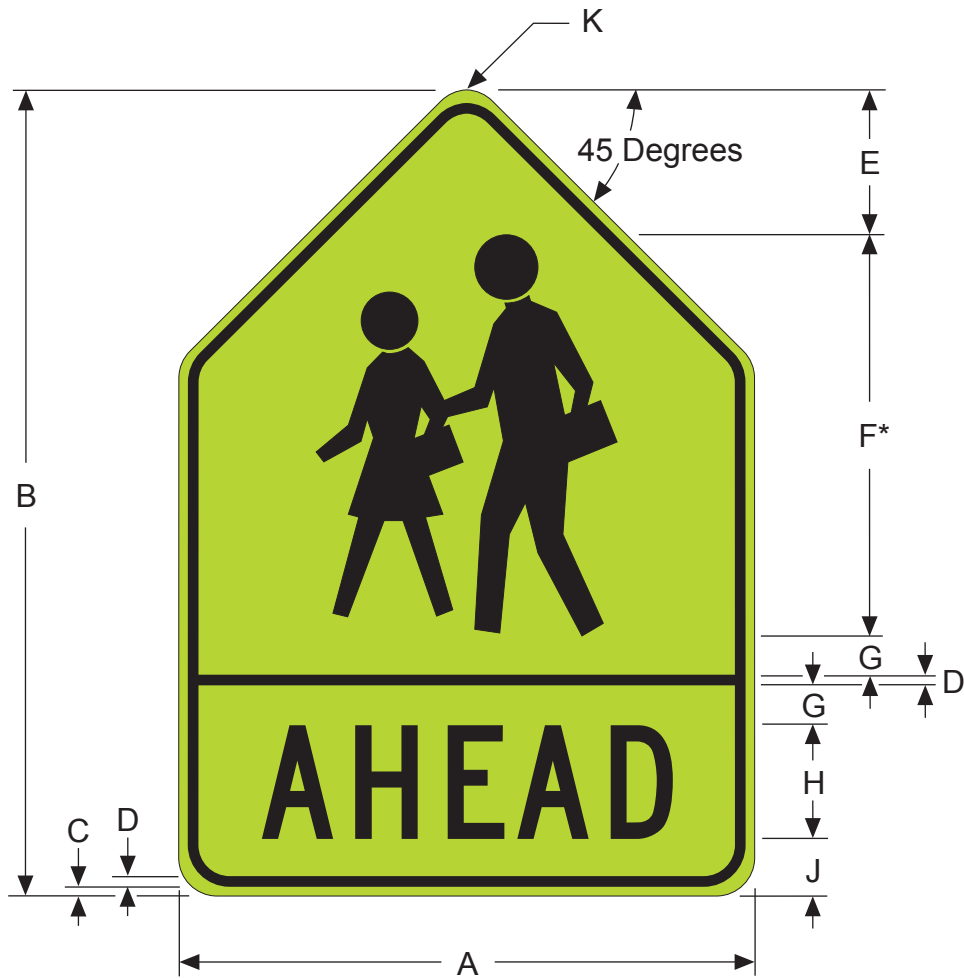
SW24-2 (CA)

ENGLISH UNITS

A	B	C	D	E	F	G	H	J	K	L	M	N
30	42	.5	.75	7.5	20	2	1	10.75	4	2.75	5.5	1.875
36	48	.625	.875	8.5	24	2	1.25	11.375	4.5	3	6	2.25
48	60	.75	1.25	10.5	30	2.5	1.5	14.25	5.25	3.75	7	3

COLORS: BORDER & SYMBOL - BLACK
BACKGROUND - FLUORESCENT YELLOW-GREEN (RETROREFLECTIVE)

STATE OF CALIFORNIA - DEPARTMENT OF TRANSPORTATION



*See Federal Standard Highways Signs Book, Appendix, "School Children" symbol.

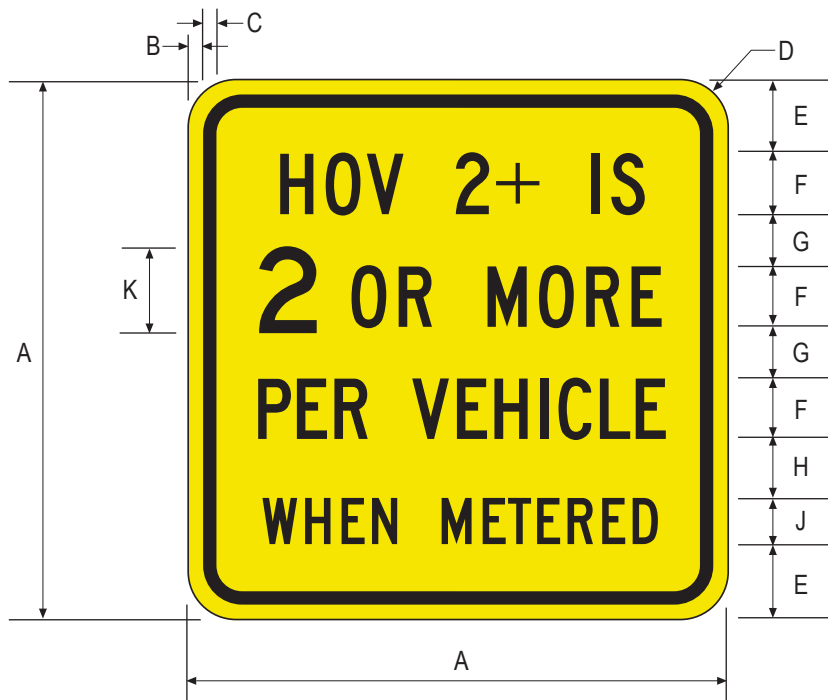
SW24-3 (CA)

ENGLISH UNITS

A	B	C	D	E	F	G	H	J	K
30	42	.5	.75	7.5	20	2	6C	3.75	1.875
36	48	.625	.875	8.5	24	2	7C	3.625	2.25
48	60	.75	1.25	10.5	30	2.5	8D	5.25	3

COLORS: BORDER & SYMBOL - BLACK
BACKGROUND - FLUORESCENT YELLOW-GREEN (RETROREFLECTIVE)

STATE OF CALIFORNIA - DEPARTMENT OF TRANSPORTATION



NOTE: Specify number of persons per vehicle when ordering.

ALTERNATE MESSAGE:
Line 4 - 24 HOURS

SW54C (CA)

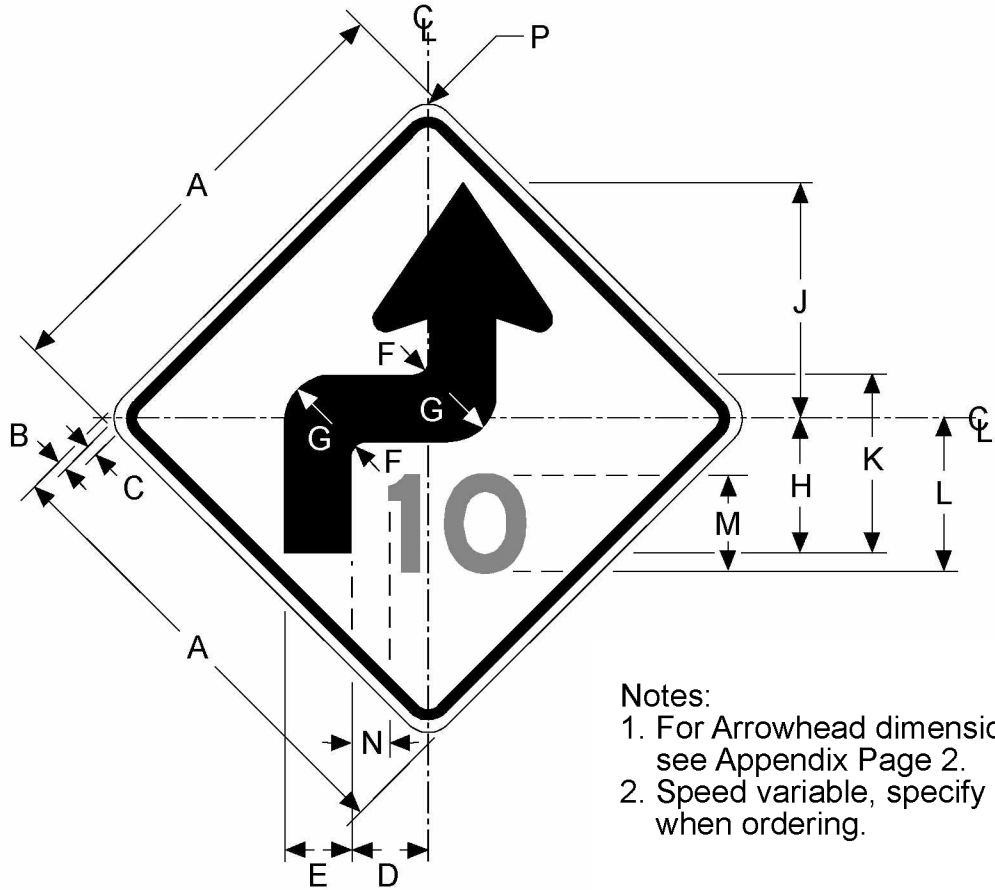
ENGLISH UNITS

A	B	C	D	E	F	G	H	J	K
30	.5	.75	1.875	5.5	3C	2.5	3	2C	5D
36	.625	.875	2.25	5.5	4C	3	4	3C	6D

COLORS: BORDER & LEGEND - BLACK
BACKGROUND - YELLOW (RETROREFLECTIVE)

MUTCD NUMBER None

CODE W4-1
Lt. or Rt.



- Notes:
1. For Arrowhead dimensions, see Appendix Page 2.
 2. Speed variable, specify when ordering.

SIGN SIZE (Inches)	DIMENSIONS (Inches)													
	A	B	C	D	E	F	G	H	J	K	L	M	N	P
48 x 48	48	3/4	1-1/4	8	7	1-1/2	4-3/4	14	25-1/2	18-1/2	16	10E	4	3
60 x 60	60	7/8	1-1/2	10	8-3/4	2	6	17-1/2	31-7/8	23-1/8	20	12E	5	3-3/4
72 x 72	72	1	1-3/4	12	10-1/2	2-1/4	7-1/4	21	38-1/4	27-3/4	24	15E	6	4-1/2
96 x 96	96	1-1/4	2-1/4	16	14	3	9-1/2	28	51	37	32	20E	8	6

SIGN SIZE (mm)	DIMENSIONS (Millimeters)													
	A	B	C	D	E	F	G	H	J	K	L	M	N	P
1219 x 1219	1219	19	32	203	178	38	121	356	648	470	406	250E	102	76
1524 x 1524	1524	22	38	254	222	51	152	445	810	587	508	300E	127	95
1829 x 1829	1829	25	44	305	267	57	184	533	972	705	610	375E	152	114
2438 x 2438	2438	32	57	406	356	76	241	711	1295	940	813	500E	203	152

COLORS
BORDER & LEGEND - BLACK (NON-REFLECTIVE)
BACKGROUND - YELLOW (REFLECTIVE)

- THE POLICY FOR INTENDED USAGE OF THIS SIGN IS SHOWN ON REVERSE SIDE -

Gerry Myers
 CHIEF, OFFICE OF SIGNS AND DELINEATION

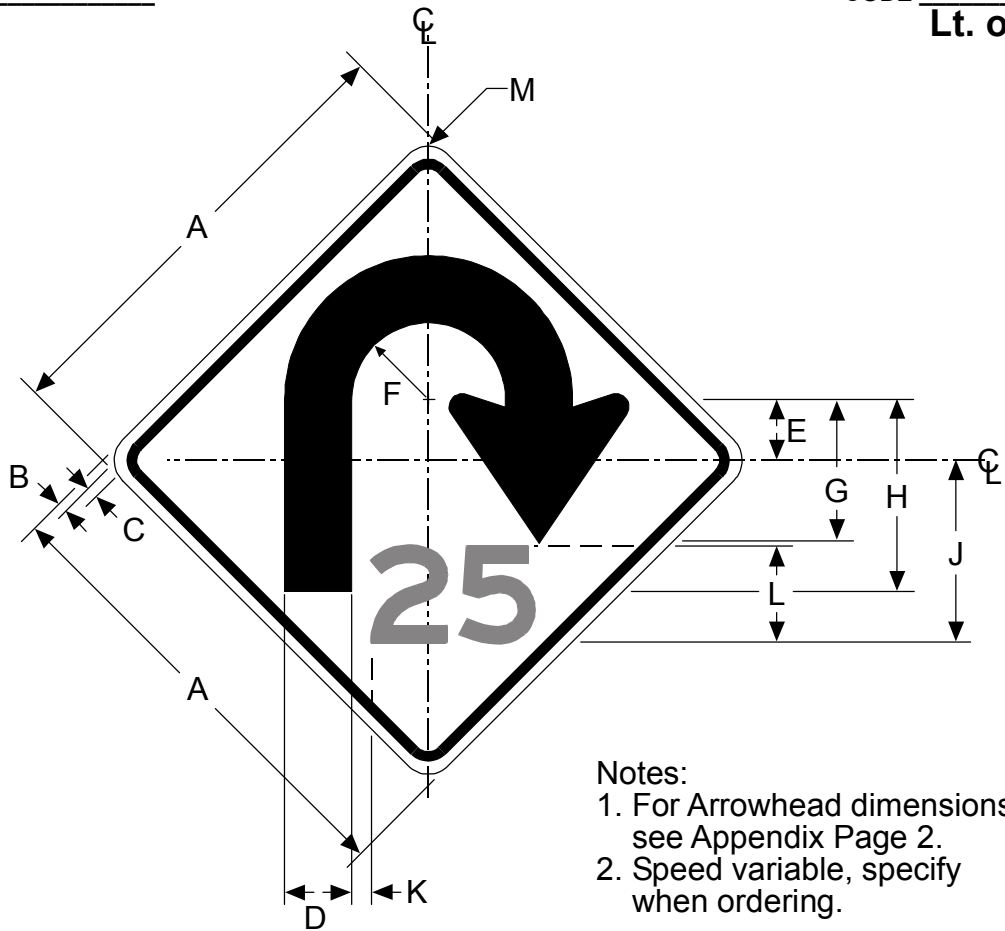
4/11/05
 DATE

REVISION

REVISION

MUTCD NUMBER None

CODE W4-10
Lt. or Rt.



- Notes:
 1. For Arrowhead dimensions, see Appendix Page 2.
 2. Speed variable, specify when ordering.

SIGN SIZE (Inches)	DIMENSIONS (Inches)											
	A	B	C	D	E	F	G	H	J	K	L	M
48 x 48	48	3/4	1-1/4	7	6-1/4	8	15	20	19	2	10E	3
60 x 60	60	7/8	1-1/2	8-3/4	6-9/16	10	18-3/4	25	23-3/4	2-1/2	12E	3-3/4
72 x 72	72	1	1-3/4	10-1/2	8-3/8	12	22-1/2	30	28-1/2	3	15E	4-1/2
96 x 96	96	1-1/4	2-1/4	14	12-1/2	16	30	40	38	4	20E	6

SIGN SIZE (mm)	DIMENSIONS (Millimeters)											
	A	B	C	D	E	F	G	H	J	K	L	M
1219 x 1219	1219	19	32	178	159	203	381	508	483	51	250E	76
1524 x 1524	1524	22	38	222	167	254	476	635	603	64	300E	95
1829 x 1829	1829	25	44	267	213	305	572	762	724	76	375E	114
2438 x 2438	2438	32	57	356	318	406	762	1016	965	102	500E	152

COLORS
BORDER & LEGEND - BLACK (NON-REFLECTIVE)
BACKGROUND - YELLOW (REFLECTIVE)

- THE POLICY FOR INTENDED USAGE OF THIS SIGN IS SHOWN ON REVERSE SIDE -

Gerry Myers
 CHIEF, OFFICE OF SIGNS AND DELINEATION

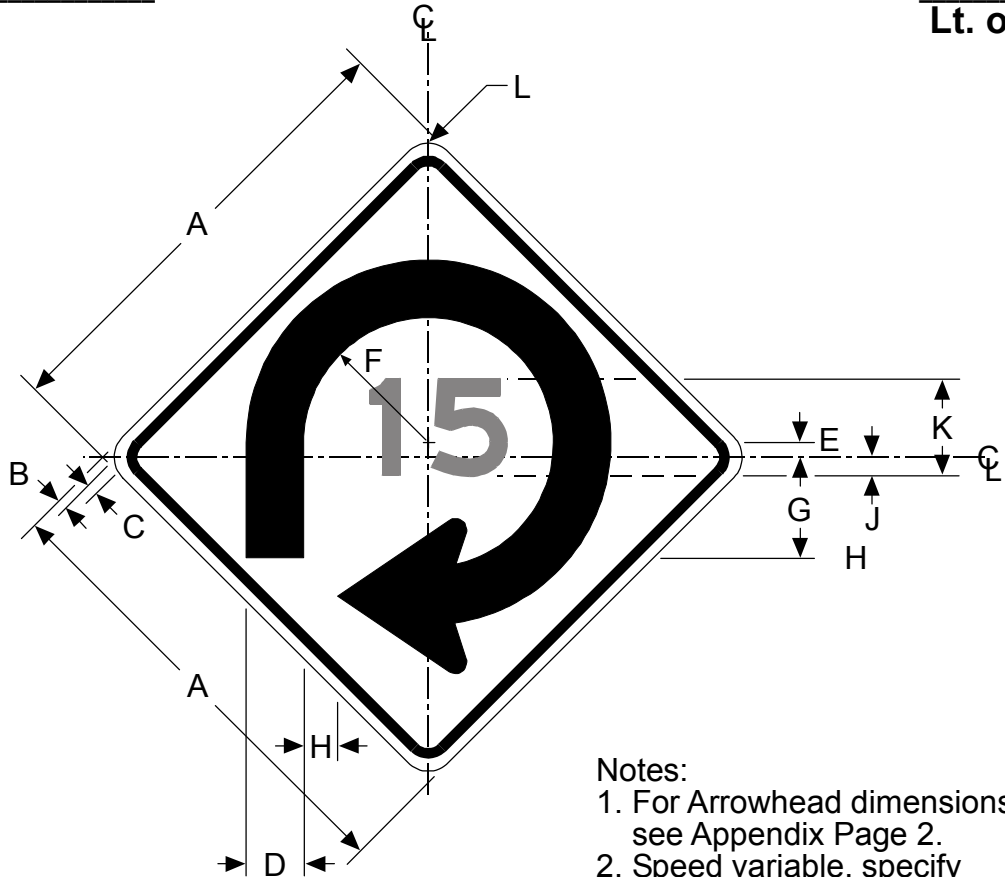
4/11/05
 DATE

REVISION

REVISION

MUTCD NUMBER None

CODE W4-14
Lt. or Rt.



- Notes:
1. For Arrowhead dimensions, see Appendix Page 2.
 2. Speed variable, specify when ordering.

SIGN SIZE (Inches)	DIMENSIONS (Inches)										
	A	B	C	D	E	F	G	H	J	K	L
48 x 48	48	3/4	1-1/4	6	1-1/2	13	10-1/2	3-1/2	2	10E	3
60 x 60	60	7/8	1-1/2	7-1/2	1-7/8	16-1/4	13-1/8	4-3/8	2-1/2	12E	3-3/4
72 x 72	72	1	1-3/4	9	2-1/4	19-1/2	15-3/4	5-1/4	3	15E	4-1/2
96 x 96	96	1-1/4	2-1/4	12	3	26	21	7	4	20E	6

SIGN SIZE (mm)	DIMENSIONS (Millimeters)										
	A	B	C	D	E	F	G	H	J	K	L
1219 x 1219	1219	19	32	152	38	330	267	89	51	250E	76
1524 x 1524	1524	22	38	191	48	413	333	111	64	300E	95
1829 x 1829	1829	25	44	229	57	495	400	159	76	375E	114
2438 x 2438	2438	32	57	305	76	660	533	178	102	500E	152

COLORS
BORDER & LEGEND - BLACK (NON-REFLECTIVE)
BACKGROUND - YELLOW (REFLECTIVE)

- THE POLICY FOR INTENDED USAGE OF THIS SIGN IS SHOWN ON REVERSE SIDE -

Gerry Kreis
 CHIEF, OFFICE OF SIGNS AND DELINEATION

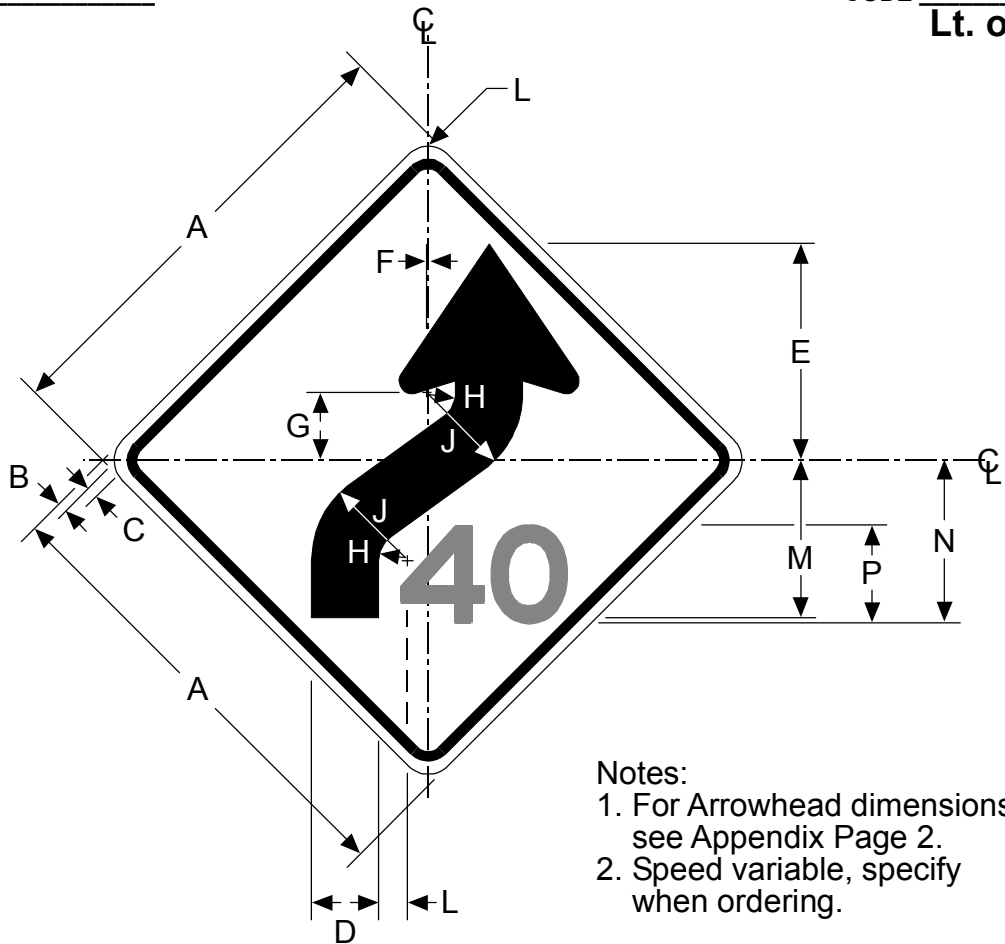
4/11/05
 DATE

REVISION

REVISION

MUTCD NUMBER None

CODE W4-18
Lt. or Rt.



- Notes:
 1. For Arrowhead dimensions, see Appendix Page 2.
 2. Speed variable, specify when ordering.

SIGN SIZE (Inches)	DIMENSIONS (Inches)														
	A	B	C	D	E	F	G	H	J	K	L	M	N	P	R
48 x 48	48	3/4	1-1/4	7	22-1/2	3/16	7	10	3	10-1/2	2-3/16	16-1/2	16-7/8	10E	3
60 x 60	60	7/8	1-1/2	8-3/4	28	1/4	8-3/4	12-1/2	3-3/4	13-1/8	2-3/4	20-5/8	21	12E	3-3/4
72 x 72	72	1	1-3/4	10-1/2	33-1/2	5/16	10-1/2	15	4-1/2	15-5/8	3-1/4	24-3/4	25-1/4	15E	4-1/2
96 x 96	96	1-1/4	2-1/4	14	45	3/8	14	20	6	21	4-3/8	33	33-3/4	20E	6

SIGN SIZE (mm)	DIMENSIONS (Millimeters)														
	A	B	C	D	E	F	G	H	J	K	L	M	N	P	R
1219 x 1219	1219	19	32	178	572	5	178	254	76	267	56	419	429	250E	76
1524 x 1524	1524	22	38	222	711	6	222	318	95	333	70	524	533	300E	95
1829 x 1829	1829	25	44	267	851	8	267	381	114	397	83	629	641	375E	114
2438 x 2438	2438	32	57	356	1143	10	356	508	152	533	111	838	857	500E	152

COLORS
BORDER & LEGEND - BLACK (NON-REFLECTIVE)
BACKGROUND - YELLOW (REFLECTIVE)

- THE POLICY FOR INTENDED USAGE OF THIS SIGN IS SHOWN ON REVERSE SIDE -

Gerry Myers
 CHIEF, OFFICE OF SIGNS AND DELINEATION

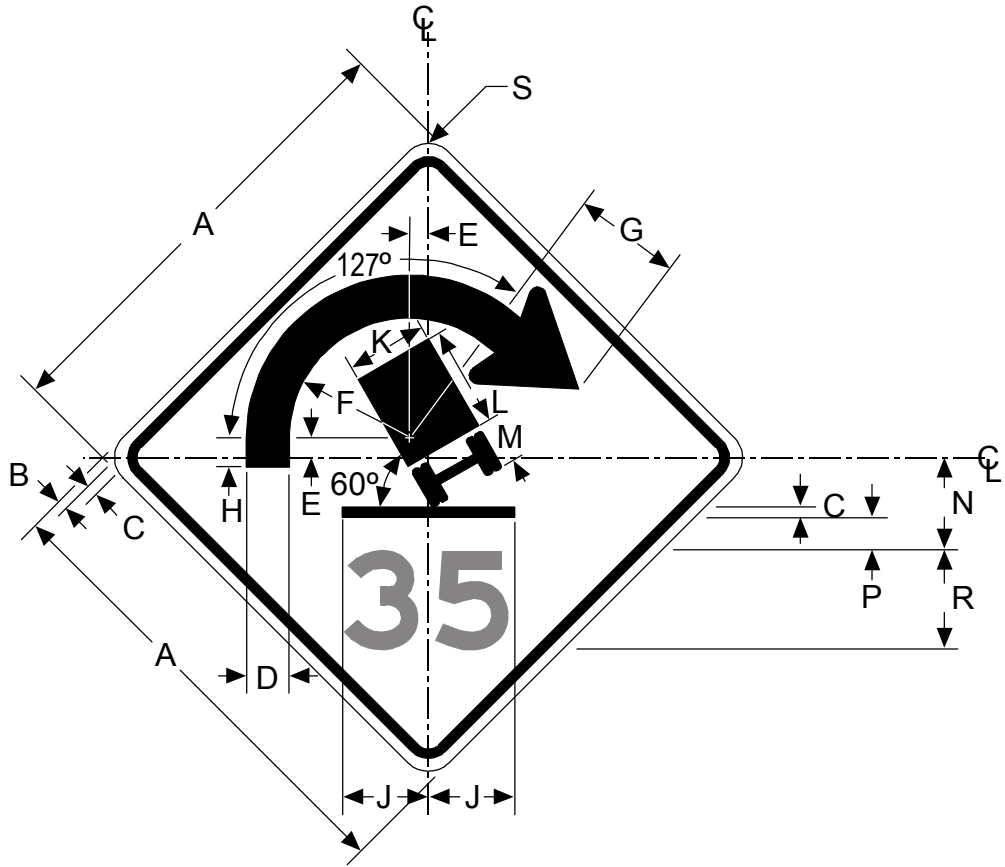
4/11/05
 DATE

REVISION

REVISION

MUTCD NUMBER None

CODE W4-22
Lt. or Rt.



Notes:

1. For Arrowhead dimensions, see Appendix Page 2.
2. Speed variable, specify when ordering.
3. May be ordered in either a diamond or square shape.

SIGN SIZE (Inches)	DIMENSIONS (Inches)															
	A	B	C	D	E	F	G	H	J	K	L	M	N	P	R	S
72 x 72	72	1	1-3/4	6-3/4	3	18-3/4	16-1/2	4-1/2	13-1/2	12-3/4	15-3/4	7-1/2	14-5/8	5-1/4	15E	4-1/2
96 x 96	96	1-1/4	2-1/4	9	4	25	22	6	18	17	21	10	19-1/2	7	20E	6

SIGN SIZE (mm)	DIMENSIONS (Millimeters)															
	A	B	C	D	E	F	G	H	J	K	L	M	N	P	R	S
1829 x 1829	1829	25	44	171	76	476	419	114	343	324	400	191	371	133	375E	114
2438 x 2438	2438	32	57	229	102	635	559	152	457	432	533	254	495	178	500E	152

COLORS
BORDER & LEGEND - BLACK (NON-REFLECTIVE)
BACKGROUND - YELLOW (REFLECTIVE)

- THE POLICY FOR INTENDED USAGE OF THIS SIGN IS SHOWN ON REVERSE SIDE -

Gerry Kreis
 CHIEF, OFFICE OF SIGNS AND DELINEATION

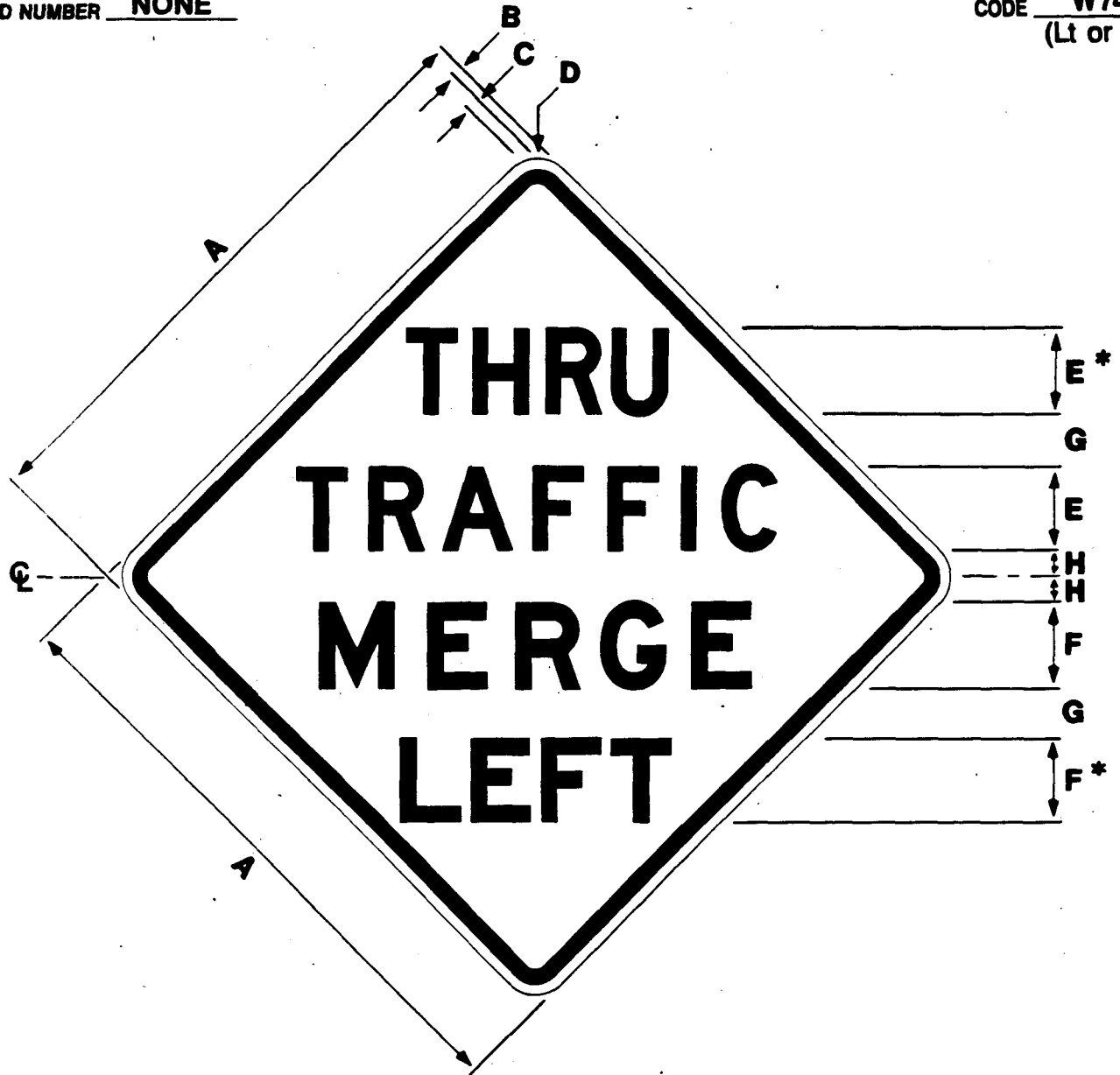
4/11/05
 DATE

REVISION

REVISION

MUTCD NUMBER NONE

CODE W74
(Lt or Rt)



* REDUCE SPACING 70%

SIGN	DIMENSIONS (INCHES)							
	A	B	C	D	E	F	G	H
MINIMUM	36	5/8	7/8	2 1/4	5D	5E	3	1 1/2
STANDARD	48	3/4	1 1/4	3	6D	6E	4	2
FREEWAY	60	7/8	1 1/2	3 3/4	8D	8E	5	2 1/2

COLORS

BORDER & LEGEND - BLACK
BACKGROUND - YELLOW (REFL)

- THE POLICY FOR INTENDED USAGE OF THIS SIGN IS SHOWN ON THE REVERSE SIDE -

cD Bartell

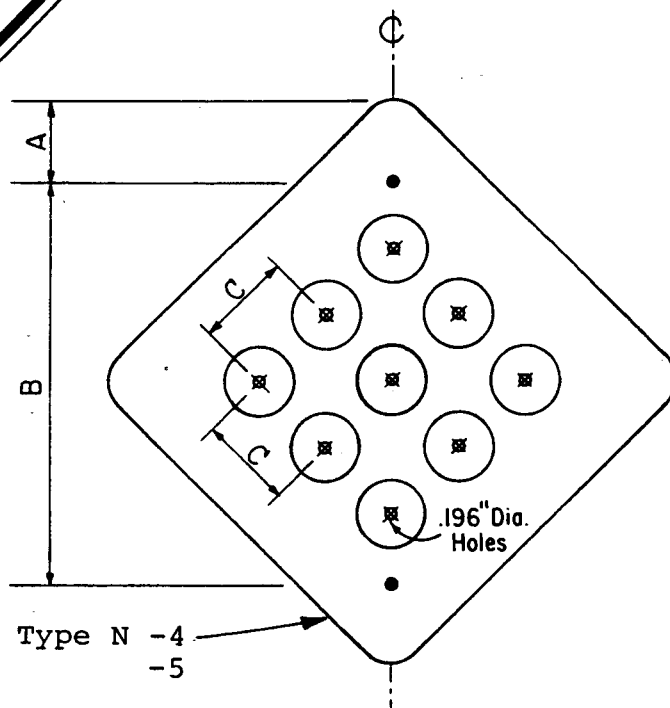
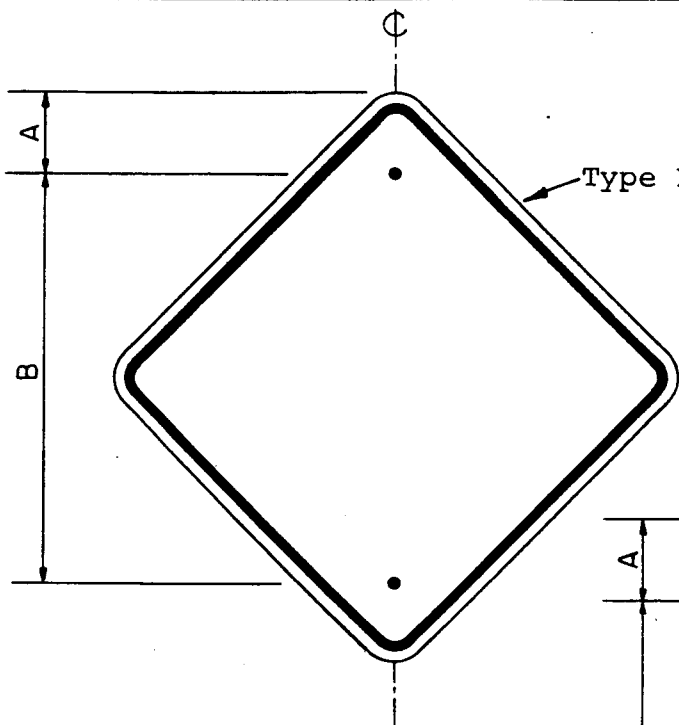
10/3/88

CHIEF, DIVISION OF TRAFFIC ENGINEERING

DATE

REVISION

REVISION



3/8" DIA. HOLES ●

ALL DIMENSIONS ARE IN INCHES

Type N SUFFIX	SIZE	BORDER WIDTH	MARGIN WIDTH	LETTER SIZE, SERIES & STROKE WIDTH					COR. RAD.
				LINE 1	LINE 2	LINE 3	LINE 4	LINE 5	
-1,-2,-3	18x18	3/8	3/8						1 1/2
-4,-5	18x18	--	--						1 1/2
-6,-7,-8	24x24	5/8	3/8						1-1/2

Type N SUFFIX	SIZE	DIMENSIONS											
		A	B	C	D	E	F	G	H	I	J	K	L
-1,-2,-3	18x18	3	18	--									
-4,-5	18x18	3	18	4									
-6,-7,-8	24x24	--	24	--									

-1&-6. Yellow REFLECTIVE BACKGROUND WITH Black BORDER.
 -2&-7. Red REFLECTIVE BACKGROUND WITH Black BORDER.
 -3&-8. Orange REFLECTIVE BACKGROUND WITH Black BORDER.
 -4. Yellow BACKGROUND WITH 9-3/4 Yellow REFLECTORS.
 -5. Red BACKGROUND WITH 9-3/4 Red REFLECTORS.

APPROVED:

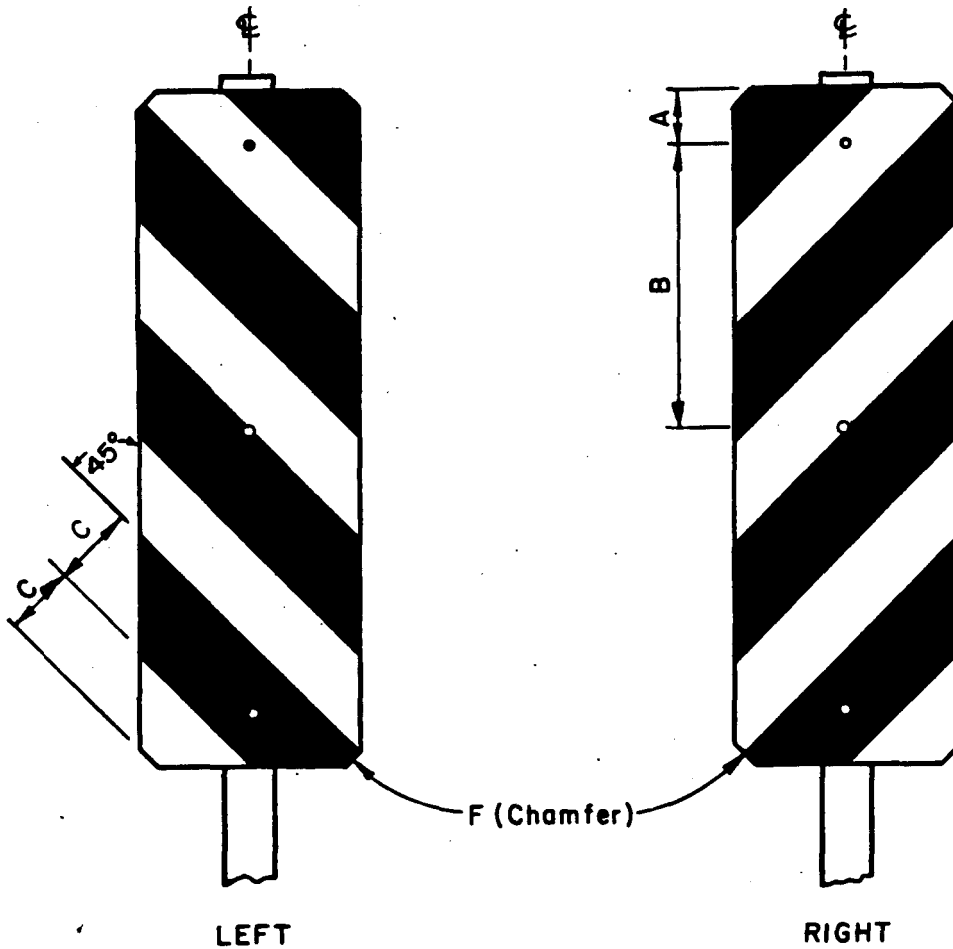
A.C. [Signature]
TRAFFIC ENGINEER

11/13/74
DATE

10/4/96
REVISION

7/23/98

DEPARTMENT OF TRANSPORTATION



STATE OF CALIFORNIA

ALL DIMENSIONS ARE IN INCHES

P SUFFIX	SIZE	BORDER WIDTH	MARGIN WIDTH	LETTER SIZE, SERIES & STROKE WIDTH					CORNER RADIUS
				LINE 1	LINE 2	LINE 3	LINE 4	LINE 5	
1.3	12 X 36								
2.1	12 X 36								

P SUFFIX	SIZE	DIMENSIONS											
		A	B	C	D	E	F	G	H	I	J	K	L
1.3	12 X 36	3	15	4			1						
2.1	12 X 36	3	15	4			1						

1.3 BLACK AND YELLOW STRIPES. YELLOW STRIPE REFLECTORIZED.

2.1 ORANGE AND WHITE. ALL STRIPES REFLECTORIZED.

3/8" DIA HOLES ●

The policy for intended usage of this sign is shown on reverse side.

APPROVED:

[Signature]
CHIEF, OFFICE OF TRAFFIC

7/30/75
DATE

[Signature] 4/28/77
REVISION

[Signature] 8/27/79
REVISION